

Protective Functions - Sanyo SAP- CMRV3656EH Technical & Service Manual

1
2
3
4
5
6
7
8
9
10
11
12
13
14
15
16
17
18

19
20
21
22
23
24
25
26
27
28
29
30
31
32
33
34
35
36
37
38
39
40
41
42
43
44
45
46
47
48
49
50
51
52
53
54
55
56
57
58
59
60
61
62
63
64
65
66
67
68

69

70



•

[Table of Contents](#)

-

Troubleshooting

•

Bookmarks



7-2. Protective Functions

7-2-1. Defrost Detection and Release

(1) Non-stop defrosting

Defrosting sequence

Heating operation

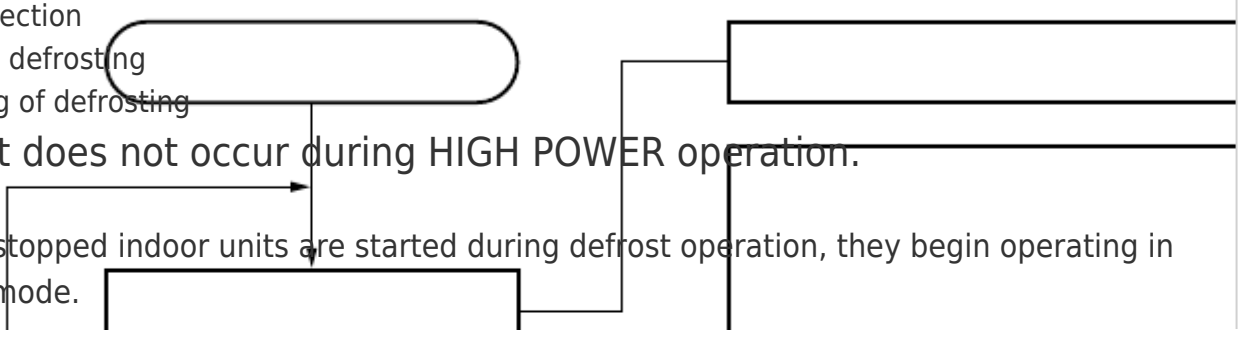
Frost detection

Non-stop defrosting

Releasing of defrosting

Defrost does not occur during HIGH POWER operation.

If other stopped indoor units are started during defrost operation, they begin operating in defrost mode.



(2) Clean defrost

If all indoor units are stopped during HEAT operation, and frost is detected at the L1 line, and the conditions for defrost are met, then defrost operation occurs, and the unit stops after defrost is completed.

4-way valve ON

Defrost detection occurs in either of the following cases:

- The temperature of the heat exchanger remains at or below the L1 line for 35 minutes after the start of HEAT operation.
- The temperature of the heat exchanger remains at or below the L2 line for 120 minutes after the start of HEAT operation.
- Accumulated 2 hours have passed with the coil temperature of -2 °C or less.

exchanger temperature

L2

L1

• Compressor

• Outdoor fan

• Solenoid valve (for hot gas bypass)

• Indoor fan

- Temperature of the outdoor heat exchanger is at or above the temperature shown in the table below.
- Defrost operation has continued for 12 minutes (max. length).

Temperature of releasing

Defrost operation time

Less than 2 minutes

Heat exchanger temperature for releasing defrosting

*1 The temperature for releasing of defrosting is (20 °C) or higher when the outdoor air temperature is less than 0 °C.

22

Outdoor heat (-20)

0

Outdoor air temperature

(- 6)

(- 7)

(- 16)

(- 25)

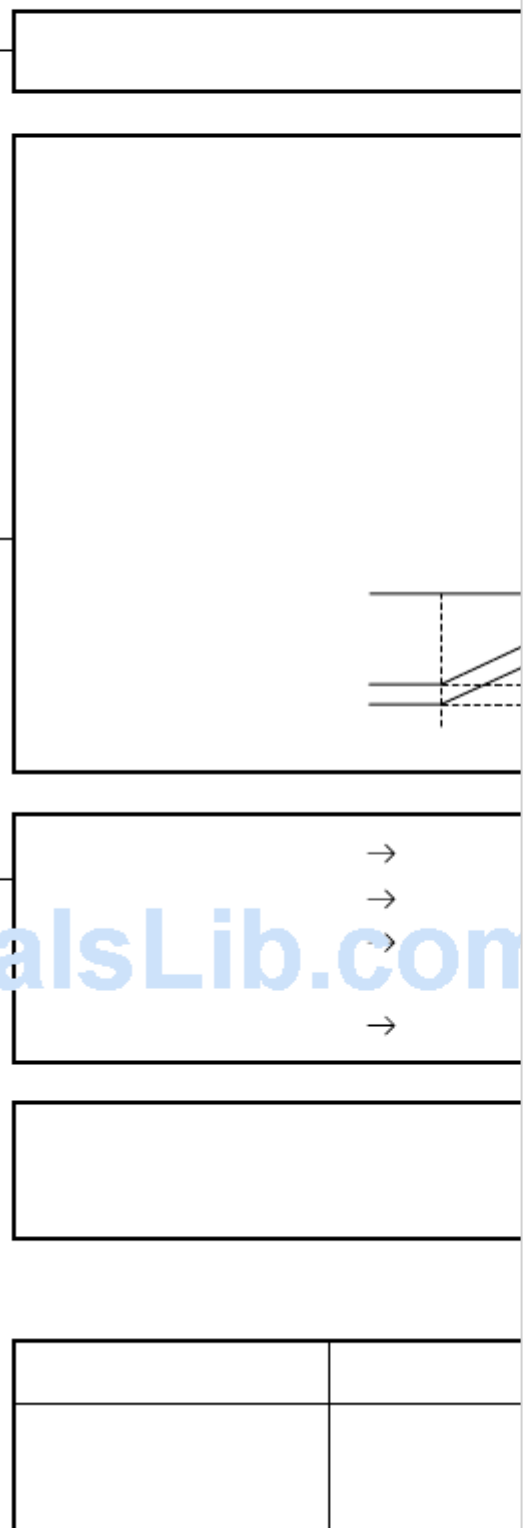
(70 Hz) operation (4-way valve ON)

OFF

ON

OFF

2 minutes or more



No releasing
14 °C or higher (*1)

[Table of Contents](#)

[Previous Page](#)
[Next Page](#)

1
...
19
20
21
22
23
24
25
26

Quick Links:

[Unit Specifications](#)

[Specifications 2-1. Unit Specifications](#)

[Self-Diagnostics](#)

Chapters

[Table of Contents](#) 3

[For Outdoor Unit Installation Instructions](#) 43

Related Manuals for Sanyo SAP-CMRV3656EH

[Air Conditioner Sanyo SAP-CMRV1424EH Technical & Service Manual](#)

Dc inverter multi-system air conditioner (114 pages)

[Air Conditioner Sanyo SAP-KRV94EHDX Technical & Service Manual](#)

Dc inverter split system air conditioner (85 pages)

[Air Conditioner Sanyo SAP-CRV93EHN Technical & Service Manual](#)

Dc inverter split system air conditioner (77 pages)

[Air Conditioner Sanyo SAP-KRV96EH Technical & Service Manual](#)

Dc inverter split system air conditioner (65 pages)

[Air Conditioner Sanyo SAP-KRV96EHDS Technical & Service Manual](#)

Dc inverter split system air conditioner (77 pages)

[Air Conditioner Sanyo SAP-CMRV1426EH Technical & Service Manual](#)

(148 pages)

[Air Conditioner Sanyo SAP-KMRV74EH Installation Instructions Manual](#)

Inverter multi split system air conditioner (28 pages)

[Air Conditioner Sanyo SAP-K91GJA \(?\) Technical & Service Manual](#)

Multi-split system air conditioner (50 pages)

[Air Conditioner Sanyo SAP-CMRV1923GJH Technical & Service Manual](#)

(52 pages)

[Air Conditioner Sanyo SAP-KRV91EH Technical & Service Manual](#)

Inverter split system air conditioner (82 pages)

[Air Conditioner Sanyo SAP - K92AH Technical & Service Manual](#)

(52 pages)

[Air Conditioner Sanyo SAP-CMRV3143GJ Technical & Service Manual](#)

Dc inverter multi-system air conditioner (39 pages)

[Air Conditioner Sanyo SAP-KR165QS5 Installation Instructions Manual](#)

Split system (54 pages)

[Air Conditioner Sanyo SAP-KM97AHA Technical & Service Manual](#)

Multi-split system air conditioner (50 pages)

[Air Conditioner Sanyo SAP-CMR2428E Technical & Service Manual](#)

Multi-split system air conditioner (29 pages)

[Air Conditioner Sanyo SAP-K71GH Technical & Service Manual](#)

(75 pages)

Related Content for Sanyo SAP-CMRV3656EH

[SAP-KRV96EHDS Protective Functions](#)

Sanyo SAP-KRV96EHDS

[SAP-KRV96EH Protective Functions](#)

Sanyo SAP-KRV96EH

[SAP-CRV93EHN Protective Functions](#)

Sanyo SAP-CRV93EHN

[SAP-KRV94EHDX Protective Functions](#)

Sanyo SAP-KRV94EHDX

[SAP-CMRV1424EH Protective Functions](#)

Sanyo SAP-CMRV1424EH

[KS1872 Protective Functions](#)

Sanyo KS1872

[CMH1972A Protective Functions](#)

Sanyo CMH1972A

CM1972A Protective Functions

Sanyo CM1972A