

System Memory - Asus Trooper H110 D3 Manual

1
2
Table Of Contents
3
4
5
6
7
8
9
10
11
12
13
14
15
16
17

18
19
20
21
22
23
24
25
26
27
28
29
30
31
32
33
34
35
36
37
38
39
40
41
42
43
44
45
46
47
48
49
50
51
52
53
54
55
56
57
58
59
60
61
62
63
64
65
66
67



•

Table of Contents

•

Bookmarks



To uninstall the CPU heatsink and fan assembly:

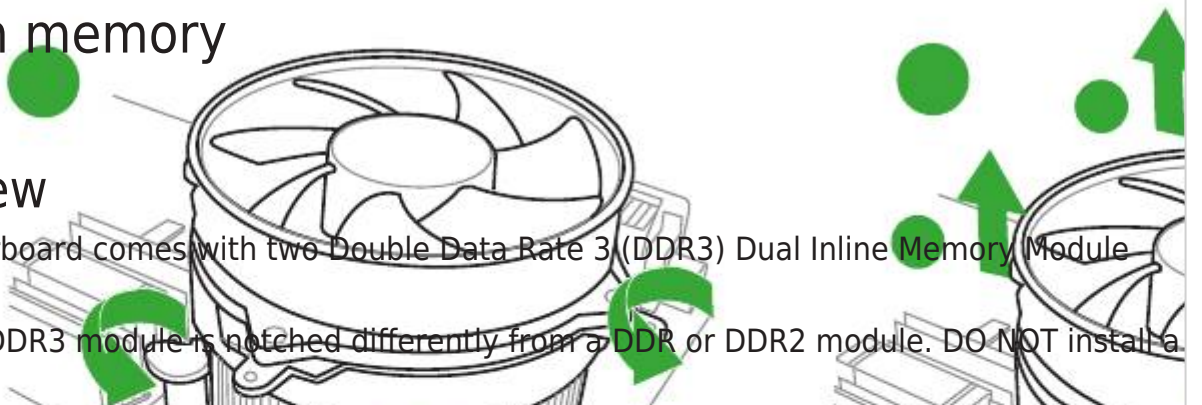
1.4

System memory

1.4.1

Overview

This motherboard comes with two Double Data Rate 3 (DDR3) Dual Inline Memory Module (DIMM) sockets. A DDR3 module is notched differently from a DDR or DDR2 module. DO NOT install a



DDR

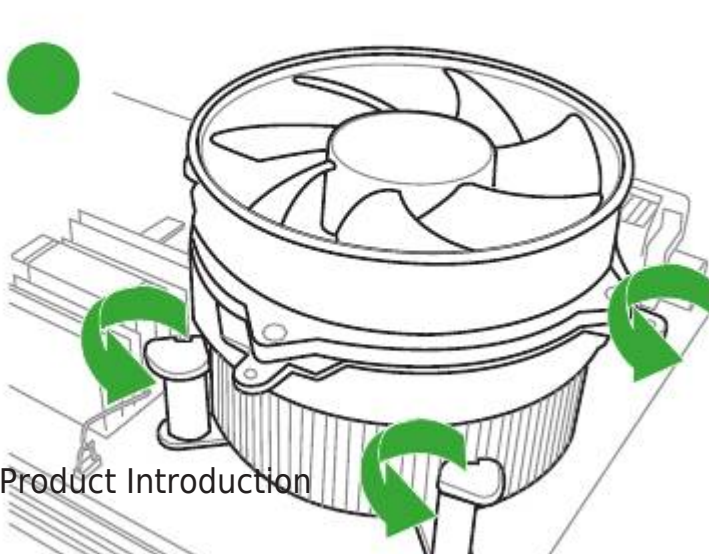
or DDR2 memory module to the DDR3 slot.

To prevent system instability, either install DDR3L DIMMs or DDR3 DIMMs with voltage lower than 1.5V

1-8

DIMM_A1
Channel A
Channel B
DIMM_B1

Chapter 1: Product Introduction



[Table of Contents](#)

[Previous Page](#)
[Next Page](#)

1
...
13
14
15
16
17
18
19
20

Related Manuals for Asus Trooper H110 D3

[Motherboard Asus H110M2 D3 Manual](#)

(57 pages)

[Motherboard Asus H110I-PLUS D3 User Manual](#)

(72 pages)

[Motherboard Asus H110M-C D3 User Manual](#)

(79 pages)

[Motherboard Asus H110M-D D3 User Manual](#)

(51 pages)

[Motherboard Asus H110I User Manual](#)

(25 pages)

[Motherboard Asus H110M-K Instruction Manual](#)

(25 pages)

[Motherboard Asus H110M-C User Manual](#)

(77 pages)

[Motherboard Asus H110M-D Instruction Manual](#)

(26 pages)

[Motherboard Asus H110M-A Manual](#)

(55 pages)

[Motherboard Asus H110-PLUS Manual](#)

(26 pages)

[Motherboard Asus PRIME H110M2/FPT Manual](#)

(26 pages)

[Motherboard Asus PRIME H110M-P Manual](#)

(28 pages)

[Motherboard Asus H110M-CS Manual](#)

(27 pages)

[Motherboard Asus H110M-C/HDMI Manual](#)

(27 pages)

[Motherboard Asus H110M-K X Manual](#)

(27 pages)

[Motherboard Asus H110M-P/DVI Manual](#)

(28 pages)

Related Content for Asus Trooper H110 D3

[ROG RAMPAGE V EDITION 10 System Memory](#)

Asus ROG RAMPAGE V EDITION 10

[Q170A-IM-A System Memory](#)

Asus Q170A-IM-A

[Z13PE-D16 System Memory](#)

Asus Z13PE-D16

[WS X299 SAGE System Memory](#)

Asus WS X299 SAGE

[Pro A620M-C-CSM System Memory](#)

Asus Pro A620M-C-CSM

[PRIME H310M-A R1.0 System Memory](#)

Asus PRIME H310M-A R1.0

[TUF GAMING B650-E WIFI System Memory](#)

Asus TUF GAMING B650-E WIFI

[H110M-P/DVI System Memory](#)

Asus H110M-P/DVI