

System Panel Connector - Asus SABERTOOTH Z170 Manual

1
2
Table Of Contents
3
4
5
6
7
8
9
10
11
12
13
14
15
16
17

19
20
21
22
23
24
25
26
27
28
29
30
31
32
33
34
35
36
37
38
39
40
41
42
43
44
45
46
47
48
49
50
51
52
53
54
55
56
57
58
59
60
61
62
63
64
65
66
67
68

69
70
71
72
73
74
75
76
77
78
79
80
81
82
83
84
85
86
87
88
89
90
91
92
93
94
95
96
97
98
99
100
101
102
103
104
105
106
107
108
109
110
111
112
113
114
115
116
117
118

119
120
121
122
123
124
125
126
127
128
129
130
131
132
133
134
135
136
137
138
139
140
141
142
143
144
145
146
147
148
149
150
151
152
153
154
155
156
157
158
159
160
161
162
163
164
165
166
167
168

169
170
171
172
173
174



•

[Table of Contents](#)

•

Bookmarks



9.

System panel connector (20-3 pin PANEL)

This connector supports several chassis-mounted functions.

- #### System power LED (2-pin or 3-1 pin PLED)

The 2-pin or 3-1 pin connector is for the system power LED. Connect the chassis power LED cable to this connector. The system power LED lights up when you turn on the system power, and blinks when the system is in sleep mode.

- #### Hard disk drive activity LED (2-pin HDD_LED)

This 2-pin connector is for the HDD Activity LED. Connect the HDD Activity LED cable to this connector. The HDD LED lights up or flashes when data is read from or written to the HDD.

- #### System warning speaker (4-pin SPEAKER)



This 4-pin connector is for the chassis-mounted system warning speaker. The speaker allows you to hear system beeps and warnings.

•
ATX power button/soft-off button (2-pin PWRSW)

This connector is for the system power button. Pressing the power button turns the system on or puts the system in sleep or soft-off mode depending on the operating system settings. Pressing the power switch for more than four seconds while the system is ON turns the system OFF.

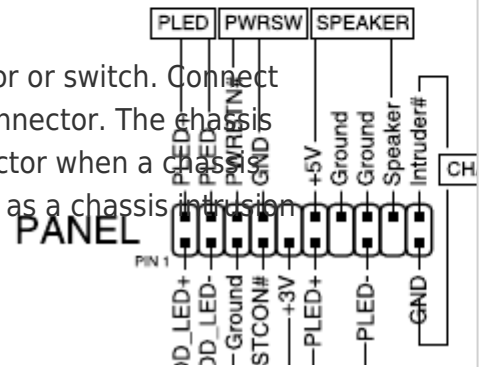
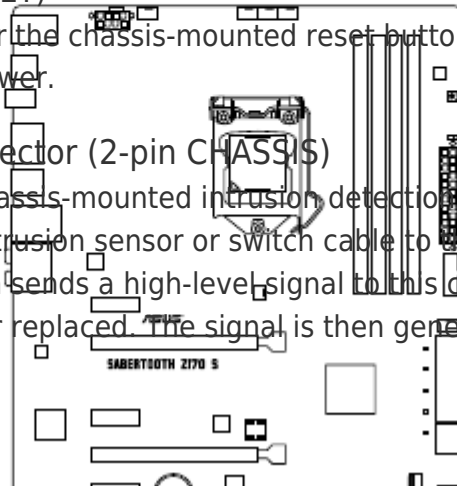
•
Reset button (2-pin RESET)

This 2-pin connector is for the chassis-mounted reset button for system reboot without turning off the system power.

•
Chassis intrusion connector (2-pin CHASSIS)

This connector is for a chassis-mounted intrusion detection sensor or switch. Connect one end of the chassis intrusion sensor or switch cable to this connector. The chassis intrusion sensor or switch sends a high-level signal to this connector when a chassis component is removed or replaced. The signal is then generated as a chassis intrusion event.

SABERTOOTH Z170 S
1-25



[Table of Contents](#)

[Previous Page](#)
[Next Page](#)

1
...
38
39
40
41
42
43
44
45

Quick Links:

[Motherboard Layout](#)

[Internal Connectors](#)

[Sata Device Connection](#)

[Front I/O Connector](#)

Related Manuals for Asus SABERTOOTH Z170

[Motherboard Asus Z170 PRO GAMING User Manual](#)

(100 pages)

[Motherboard Asus Z170 PRO GAMING Manual](#)

(96 pages)

[Motherboard Asus Z170-A User Manual](#)

(130 pages)

[Motherboard Asus Z170M-E D3 Manual](#)

(85 pages)

[Motherboard Asus Z170-P D3 User Manual](#)

(85 pages)

[Motherboard Asus Z170-K Quick Start Manual](#)

(11 pages)

[Motherboard ASUS Z170-K User Manual](#)

(85 pages)

[Motherboard Asus Z170-P Manual](#)

(86 pages)

[Motherboard Asus Z170-AR Manual](#)

(130 pages)

[Motherboard Asus Z170M-PLUS User Manual](#)

(89 pages)

[Motherboard Asus SABERTOOTH Z170 MARK 1 Manual](#)

(176 pages)

[Motherboard Asus Z170I PRO GAMING User Manual](#)

(86 pages)

[Motherboard Asus Z170I PRO GAMING Manual](#)

(86 pages)

[Motherboard Asus Z170-E Manual](#)

(128 pages)

[Motherboard Asus Z170-DELUXE Series User Manual](#)

(186 pages)

[Motherboard Asus Z170-PRO Manual](#)

(170 pages)

Related Content for Asus SABERTOOTH Z170

[Pro WS C422-ACE System Panel Connector \(20-3 Pin Panel\)](#)

Asus Pro WS C422-ACE

[P11C-M/4L System Panel Connector \(20-1 Pin Panel1\)](#)

Asus P11C-M/4L

[TUF Z390-PLUS GAMING System Panel Connector](#)

Asus TUF Z390-PLUS GAMING

[ROG STRIX Z390-E GAMING System Panel Connector](#)

Asus ROG STRIX Z390-E GAMING

[Rog Strix H370-I Gaming System Panel Connector](#)

Asus Rog Strix H370-I Gaming

[ROG Strix X470-I Gaming System Panel Connector](#)

Asus ROG Strix X470-I Gaming

[KNPA-U16 System Panel Connector 20-1 Pin Panel](#)

Asus KNPA-U16

[rog crosshair vii hero System Panel Connector 10-1 Pin F_Panel](#)

asus rog crosshair vii hero