



# Ic Block Diagram - Sanyo DC-T44 Service Manual



1  
2  
3  
4  
5  
6  
7  
8  
9  
10  
11  
12  
13  
14  
15  
16  
17  
18

19  
20  
21  
22  
23  
24  
25  
26  
27  
28  
29  
30  
31  
32  
33  
34  
35  
36  
37  
38  
39  
40  
41  
42  
43  
44  
45  
46  
47

--

•

[Table of Contents](#)

•

## Bookmarks









PARTS  
LIST (TUNER)  
IC  
BLOCK  
DIAGRAM  
(TUNER)

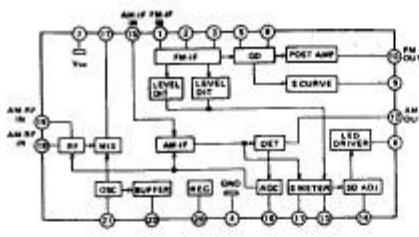
**PARTS LIST (TUNER)**

REF. NO.	PART NO.	DESCRIPTION
73	614 229 9524	ASSY.PCB-POWER TRANS
DK292	614 035 4980	SOCKET-PP-TO MAIN PCB
PT291	614 231 8742	POWER TRANSFORMER

IC242 HD404728A345  
(4 - Bit Micro Processor)

**IC BLOCK DIAGRAM (TUNER)**

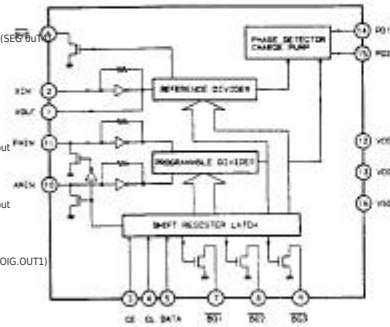
IC221 LA1265(Tuner System)



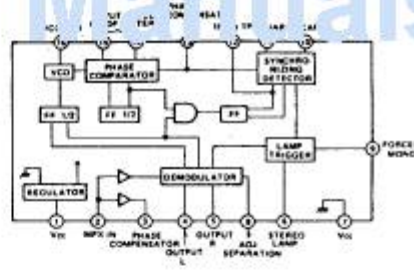
No  
Pin name  
Description  
High : Low  
A  
B  
C  
D  
E  
F  
G  
H  
I  
J  
K  
L  
M  
N  
O  
P  
Q  
R  
S  
T  
U  
V  
W  
X  
Y  
Z

SEG. OUT5  
FL segment output (SEG. OUT5)  
2  
SEG. OUT4  
FL segment output (SEG. OUT4)  
3  
SEG. OUT3  
FL segment output (SEG. OUT3)  
4  
SEG. OUT2  
FL segment output (SEG. OUT2)  
5  
SEG. OUT1  
FL segment output (SEG. OUT1)  
6  
DIGIT OUT1  
FL Digit output (DIG. OUT1)  
7  
DIGIT OUT2  
FL Digit output (DIG. OUT2)  
8  
DIGIT OUT3  
FL Digit output (DIG. OUT3)  
9  
DIGIT OUT4  
FL Digit output (DIG. OUT4)  
10  
DIGIT OUT5  
FL Digit output (DIG. OUT5)  
11  
DIGIT OUT6  
FL Digit output (DIG. OUT6)

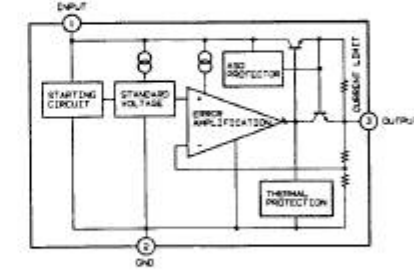
IC241 LM7001(Pre-Scaler)



IC LA 1(PLL FM MPX. Stereo Demodulat



IC291 L78M12ML(3-Terminal Voltage Regulator)



**PARTS LIST (TUNER)**

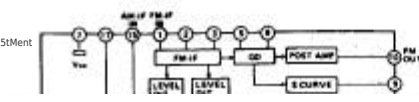
REF. NO.	PART NO.	DESCRIPTION
73	614 229 9524	ASSY.PCB-POWER TRANS
DK292	614 035 4980	SOCKET-PP-TO MAIN PCB
PT291	614 231 8742	POWER TRANSFORMER

Data output to the PLL IC

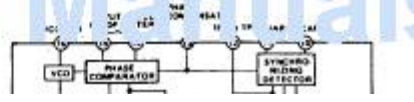
IPLLIC  
CE  
Chip enable signal output to the

**IC BLOCK DIAGRAM (TUNER)**

IC221 LA1265(Tuner System)



IC LA 1(PLL FM MPX. Stereo Demodulat



BLOCK

IC

Output for ad) USMent

IC

**IC BLOCK DIAGRAM (TUNER)**

IC242 HD404728A345 (4 - Bit Micro Processor)

No	Pin name	Description	High:Low	A*
1	SEG. OUT5	FL segment output (SEG. OUT5)		
2	SEG. OUT4	FL segment output (SEG. OUT4)		
3	SEG. OUT3	FL segment output (SEG. OUT3)		
4	SEG. OUT2	FL segment output (SEG. OUT2)		
5	SEG. OUT1	FL segment output (SEG. OUT1)		
6	DIGIT OUT1	FL Digit output (DIG. OUT1)		
7	DIGIT OUT2	FL Digit output (DIG. OUT2)		
8	DIGIT OUT3	FL Digit output (DIG. OUT3)		
9	DIGIT OUT4	FL Digit output (DIG. OUT4)		
10	DIGIT OUT5	FL Digit output (DIG. OUT5)		
11	DIGIT OUT6	FL Digit output (DIG. OUT6)		
12	FUNCT4	FUNCTION SW signal output TUNER, HI PULSE		L
13	FUNCT3	FUNCTION SW signal output AUX, HI PULSE		L
14	FUNCT2	FUNCTION SW signal output TR, HI PULSE		L
15	FUNCT1	FUNCTION SW signal output JNT, HI PULSE		L
16	-20dB MUTE	-20dB Muting output. ON/OFF=L/H		L
17	∞MUTE	∞Muting output. ON/OFF=L/H		L
18	POWER SW	POWER SW key input, Norm.=H		L
19	Vdisp	Power source for display		L
20	VOLUP	Vol Up signal output, Norm.=L		L
21	VOLDOWN	Vol Down signal output Norm.=L		L
22	VOLIND	VOL indicator LED output, Norm.=H, VOL mode=L/Flashing		H
23	CD CONT	CD Control output, Timer, CD start.=H, Norm.=K level		L
24	TAPE CONT	TAPE Control output, Timer and TAPE PLAY=L, TAPE REC.=H, Norm.=HI Impedance		H
25	FM MONO	FM compulsion monoral output, Stereo Auto.=L, Compulsion Mono.=H		H
26	TUNED/SD	TUNED/SD signal input.		L
27				
28	IR	Remote controller received signal		L
29	BDI	Inhibit AC PW detected, AC ON.=, AC OFF=L		L
30	STEREO IND	FM STEREO received display input STEREO TIME=L level		L

**IC BLOCK DIAGRAM (TUNER)**

IC242 HD404728A345 (4 - Bit Micro Processor)

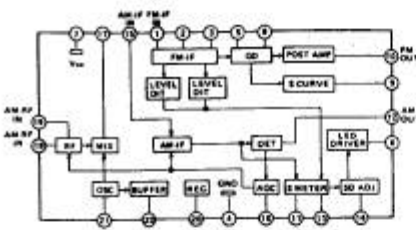
No	Pin name	Description	High:Low	A*
1	SEG. OUT5	FL segment output (SEG. OUT5)		
2	SEG. OUT4	FL segment output (SEG. OUT4)		
3	SEG. OUT3	FL segment output (SEG. OUT3)		
4	SEG. OUT2	FL segment output (SEG. OUT2)		
5	SEG. OUT1	FL segment output (SEG. OUT1)		
6	DIGIT OUT1	FL Digit output (DIG. OUT1)		
7	DIGIT OUT2	FL Digit output (DIG. OUT2)		
8	DIGIT OUT3	FL Digit output (DIG. OUT3)		
9	DIGIT OUT4	FL Digit output (DIG. OUT4)		
10	DIGIT OUT5	FL Digit output (DIG. OUT5)		
11	DIGIT OUT6	FL Digit output (DIG. OUT6)		
12	FUNCT4	FUNCTION SW signal output TUNER, HI PULSE		L
13	FUNCT3	FUNCTION SW signal output AUX, HI PULSE		L
14	FUNCT2	FUNCTION SW signal output TR, HI PULSE		L
15	FUNCT1	FUNCTION SW signal output JNT, HI PULSE		L
16	-20dB MUTE	-20dB Muting output. ON/OFF=L/H		L

**PARTS LIST (TUNER)**

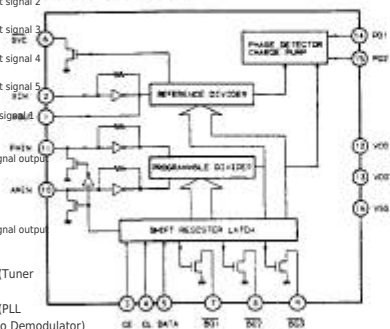
POWER TRANSFORMER P.C. BOARD ASSY		
REF. NO.	PART NO.	DESCRIPTION
73	614 229 9524	ASSY. PCB-POWER TRANS
CR292	614 035 4980	SOCKET-PP-10 MAIN PCB
PT291	614 231 8742	POWER TRANSFORMER

**IC BLOCK DIAGRAM (TUNER)**

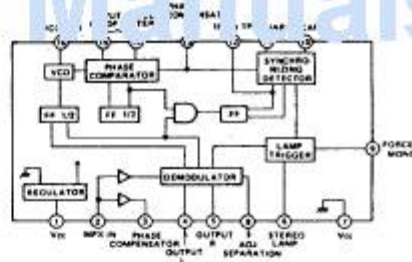
IC221 LA1265(Tuner System)



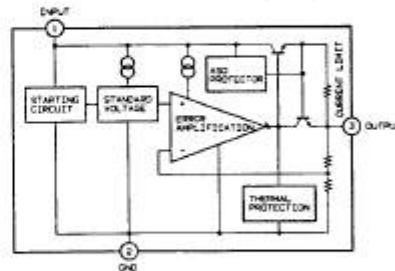
IC241 LM7001(Pre-Scaler)



IC231 LA3361(PLL FM MPX. Stereo Demodulat



IC291 L78M12ML(3-Terminal Voltage Regulator)



**IC BLOCK DIAGRAM (TUNER)**

IC242 HD404728A345 (4- Bit Micro Processor)

No	Pin name	Description	High:Low	A*
1	SEG. OUT5	FL segment output (SEG. OUT5)		
2	SEG. OUT4	FL segment output (SEG. OUT4)		
3	SEG. OUT3	FL segment output (SEG. OUT3)		
4	SEG. OUT2	FL segment output (SEG. OUT2)		
5	SEG. OUT1	FL segment output (SEG. OUT1)		
6	DIGIT. OUT1	FL Digit output (DIG. OUT1)		
7	DIGIT. OUT2	FL Digit output (DIG. OUT2)		
8	DIGIT. OUT3	FL Digit output (DIG. OUT3)		
9	DIGIT. OUT4	FL Digit output (DIG. OUT4)		
10	DIGIT. OUT5	FL Digit output (DIG. OUT5)		
11	DIGIT. OUT6	FL Digit output (DIG. OUT6)		
12	FUNCT4	FUNCTION SW signal output TUNER, HI PULSE		L
13	FUNCT3	FUNCTION SW signal output AUX, HI PULSE		L
14	FUNCT2	FUNCTION SW signal output TR, HI PULSE		L
15	FUNCT1	FUNCTION SW signal output JNT, HI PULSE		L
16	-20dB MUTE	-20dB Muting output, ON/OFF=HL		L
17	∞MUTE	∞Muting output, ON/OFF=HL		L
18	POWER SW	POWER SW key input, Nrm=H		L
19	VdisP	Power source for display		L
20	VOLUP	Vol Up signal output, Norm=HL		L
21	VOLDOWN	Vol Down signal output, Norm=HL		L
22	VOLIND	VOL indicator LED output, Norm=HL, VOL mode=flashing		L
23	CD CONT	CD Control output, Timer, CD start=HL, Norm=HL		L
24	TAPE CONT	TAPE Control output, Timer and TAPE PLAY=HL, TAPE REC=HL, Norm=HL impedance		L
25	FM MONO	FM compulsion monaural output, Stereo Auto=HL, Compulsion Mono=HL		L
26	TUNED/SD	TUNED/SD signal input		L
27				
28	IR	Remote controller received signal		L
29	INH	Inhibit AC PW detected, AC ON=H, AC OFF=L		L
30	STEREO IND	FM STEREO received display input STEREO TIME=HL level		L

38  
39  
40  
41  
42  
43  
44  
45  
46  
47  
48  
49  
50  
51  
52  
KEY OUT1  
Key Matrix output signal 1  
KEY OUT2  
Key Matrix output signal 2  
KEY OUT3  
Key Matrix output signal 3  
KEY OUT4  
Key Matrix output signal 4  
KEY OUT5  
Key Matrix output signal 5  
KEY IN1  
Key Matrix input signal 1  
13  
FUNCT3  
FUNCTION SW signal output  
AUX, HI PULSE  
14  
FUNCT2  
FUNCTION SW signal output  
L  
VCR, HI PULSE  
IC221 LA1265(Tuner System)  
IC231 LA3361(PLL FM MPX. Stereo Demodulator)  
PUL  
VCR  
LEVEL  
COMPASSION  
\*CO ...  
LW  
PULSE  
L  
C. NO.  
C.

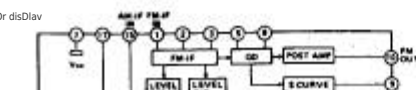
**EfEE3**

**PARTS LIST (TUNER)**

POWER TRANSFORMER P.C. BOARD ASSY		
REF. NO.	PART NO.	DESCRIPTION
73	614 229 9524	ASSY. PCB-POWER TRANS
CR292	614 035 4980	SOCKET-PP-10 MAIN PCB
PT291	614 231 8742	POWER TRANSFORMER

**IC BLOCK DIAGRAM (TUNER)**

IC221 LA1265(Tuner System)



IC231 LA3361(PLL FM MPX. Stereo Demodulat



**IC BLOCK DIAGRAM (TUNER)**

IC242 HD404728A345 (4- Bit Micro Processor)

No	Pin name	Description	High:Low	A*
1	SEG. OUT5	FL segment output (SEG. OUT5)		
2	SEG. OUT4	FL segment output (SEG. OUT4)		
3	SEG. OUT3	FL segment output (SEG. OUT3)		
4	SEG. OUT2	FL segment output (SEG. OUT2)		
5	SEG. OUT1	FL segment output (SEG. OUT1)		
6	DIGIT. OUT1	FL Digit output (DIG. OUT1)		
7	DIGIT. OUT2	FL Digit output (DIG. OUT2)		
8	DIGIT. OUT3	FL Digit output (DIG. OUT3)		
9	DIGIT. OUT4	FL Digit output (DIG. OUT4)		
10	DIGIT. OUT5	FL Digit output (DIG. OUT5)		
11	DIGIT. OUT6	FL Digit output (DIG. OUT6)		
12	FUNCT4	FUNCTION SW signal output TUNER, HI PULSE		L
13	FUNCT3	FUNCTION SW signal output AUX, HI PULSE		L
14	FUNCT2	FUNCTION SW signal output TR, HI PULSE		L
15	FUNCT1	FUNCTION SW signal output JNT, HI PULSE		L
16	-20dB MUTE	-20dB Muting output, ON/OFF=HL		L

6  
20dB MUTE  
-20dB Muting output  
KEY IN2  
Key Matrix input signal 2  
KEY IN3  
Key Matrix input signal 3  
17  
MUTE  
∞ Muting output, ON/OFF=HL  
18  
POWER SW  
POWER SW key input, Nrm=H  
19  
VdisP  
Power source for display



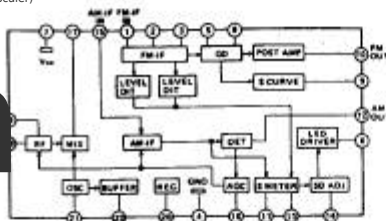
**PARTS LIST (TUNER)**

REF. NO.	PART NO.	DESCRIPTION
73	614 229 9524	ASSY.PCB-POWER TRANS
72	614 035 4980	SOCKET-PP-TO MAIN PCB
71	614 231 8742	POWER TRANSFORMER

21  
VOLDOOWN  
Vol Down signal output Norm.+L  
L  
53  
TEST  
54  
POWER Ry  
POWER RELAY Control output  
Relay OFF:L Relay ON:H  
L  
H  
:  
55

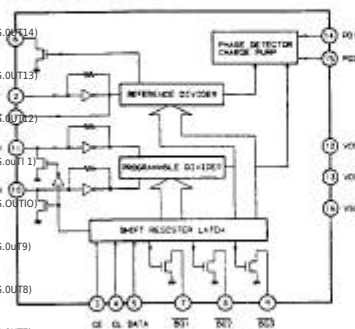
**IC BLOCK DIAGRAM (TUNER)**

IC241 LA1265(Tuner System)



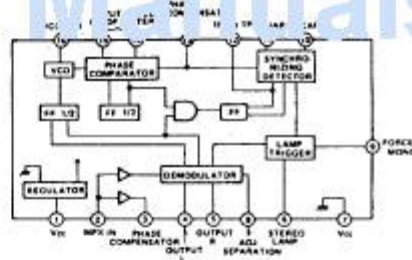
24  
TAPE CONT  
TAPE PLAY-XL TAPE REC-H  
25  
FM MONO  
Stereo Auto.+L  
Compulsion

IC241 LM7001(Pre-Scaler)

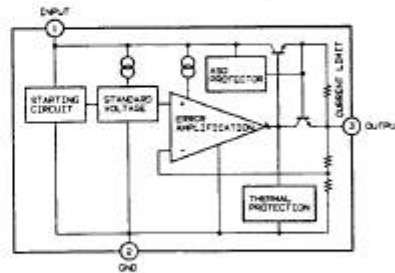


56  
SEG.0UT14  
FL segment output (SEG.0UT14)  
57  
SEG.0UT13  
FL segment output (SEG.0UT13)  
58  
SEG.0UT12  
FL segment output (SEG.0UT12)  
59  
SEG.0UT11  
FL segment output (SEG.0UT11)  
60  
SEG.0UT10  
FL segment output (SEG.0UT10)  
61  
SEG.0UT9  
FL segment output (SEG.0UT9)  
62  
SEG.0UT8  
FL segment output (SEG.0UT8)  
63  
SEG.0UT7  
FL segment output (SEG.0UT7)  
64  
SEG.0UT6  
FL segment output (SEG.0UT6)

IC291 LA 1(PLL FM MPX. Stereo Demodulat



IC291 L78M12ML(3-Terminal Voltage Regulator)



**PARTS LIST (TUNER)**

REF. NO.	PART NO.	DESCRIPTION
73	614 229 9524	ASSY.PCB-POWER TRANS
72	614 035 4980	SOCKET-PP-TO MAIN PCB
71	614 231 8742	POWER TRANSFORMER

TUNED/SD  
TUNED/SD  
Signal in/out  
-CL  
L+  
I  
27  
I  
28  
IR  
Remote controller  
received s,gnal  
~  
X  
STEREO IND  
FM. STEREO received d,splay input  
L  
LATCH  
I  
T  
w  
-7-

**IC BLOCK DIAGRAM (TUNER)**

**IC BLOCK DIAGRAM (TUNER)**

IC242 HD404728A345 (4- Bit Micro Processor)

No	Pin name	Description	High:Low	A*
1	SEG.0UT5	FL segment output (SEG.0UT5)		
2	SEG.0UT4	FL segment output (SEG.0UT4)		
3	SEG.0UT3	FL segment output (SEG.0UT3)		
4	SEG.0UT2	FL segment output (SEG.0UT2)		
5	SEG.0UT1	FL segment output (SEG.0UT1)		
6	DIGIT.0UT1	FL Digit output (DIG.0UT1)		
7	DIGIT.0UT2	FL Digit output (DIG.0UT2)		
8	DIGIT.0UT3	FL Digit output (DIG.0UT3)		
9	DIGIT.0UT4	FL Digit output (DIG.0UT4)		
10	DIGIT.0UT5	FL Digit output (DIG.0UT5)		
11	DIGIT.0UT6	FL Digit output (DIG.0UT6)		
12	FUNCT4	FUNCTION SW signal output TUNER, HI PULSE		L
13	FUNCT3	FUNCTION SW signal output AUX, HI PULSE		L
14	FUNCT2	FUNCTION SW signal output TR, HI PULSE		L
15	FUNCT1	FUNCTION SW signal output DAT, HI PULSE		L
16	-20dB MUTE	-20dB Muting output. ON/OFF=L/H		L
17	∞MUTE	∞Muting output. ON/OFF=L/H		L
18	POWER SW	POWER SW key input, Norm.=H		L
19	Vdisp	Power source for display		L
20	VOLUP	Vol Up signal output, Norm.=L		L
21	VOLDOWN	Vol Down signal output Norm.=L		L
22	VOLIND	VOL indicator LED output, Norm.=H, VOL mode=L/Flashing		H
23	CD CONT	CD Control output, Timer, CD start=H, Norm.=K, level		S
24	TAPE CONT	TAPE Control output, Timer and TAPE PLAY=L, TAPE REC=H, Norm.=HI Impedance		H
25	FM MONO	FM compulsion monoral output, Stereo Auto.=L, Compulsion Mono.=H		H
26	TUNED/SD	TUNED/SD signal input.		
27				
28	IR	Remote controller received signal		
29	INH	Inhibit AC PW detected, AC ON=L, AC OFF=L		
30	STEREO IND	FM STEREO received display input STEREO TIME=L level		

**IC BLOCK DIAGRAM (TUNER)**

IC242 HD404728A345 (4- Bit Micro Processor)

No	Pin name	Description	High:Low	A*
1	SEG.0UT5	FL segment output (SEG.0UT5)		
2	SEG.0UT4	FL segment output (SEG.0UT4)		
3	SEG.0UT3	FL segment output (SEG.0UT3)		
4	SEG.0UT2	FL segment output (SEG.0UT2)		
5	SEG.0UT1	FL segment output (SEG.0UT1)		
6	DIGIT.0UT1	FL Digit output (DIG.0UT1)		
7	DIGIT.0UT2	FL Digit output (DIG.0UT2)		
8	DIGIT.0UT3	FL Digit output (DIG.0UT3)		
9	DIGIT.0UT4	FL Digit output (DIG.0UT4)		
10	DIGIT.0UT5	FL Digit output (DIG.0UT5)		
11	DIGIT.0UT6	FL Digit output (DIG.0UT6)		
12	FUNCT4	FUNCTION SW signal output TUNER, HI PULSE		L
13	FUNCT3	FUNCTION SW signal output AUX, HI PULSE		L

[Previous Page](#)  
[Next Page](#)

1  
...  
4  
5  
6  
7  
8  
9  
10  
11

Quick Links:

[Specification](#)

## Related Manuals for Sanyo DC-T44

[Stereo System sanyo DC-T44 Instruction Manual](#)

New interior component system (28 pages)

[Speaker System Sanyo DC-F380 Manual](#)

Mini component system (21 pages)

[Speaker System Sanyo DC-LD5 Instruction Manual](#)

Midi component system with fully compatible disc player (31 pages)

[Speaker System Sanyo DC-DA380 Service Manual Supplement](#)



Micro component system (6 pages)

[Speaker System Sanyo DC F200 Instruction Manual](#)

Mini component system (12 pages)

[Speaker System Sanyo FWSB405FS Owner's Manual](#)

Soundbar with bluetooth wireless technology (16 pages)

[Speaker System Sanyo FWSB415E Owner's Manual](#)

(24 pages)

[Speaker System Sanyo FWSB405F A Owner's Manual](#)

(21 pages)

[Speaker System Sanyo FWSB415E Quick Start Manual](#)

(26 pages)

[Speaker System Sanyo HT-D47 Service Manual](#)

Av surround processor (8 pages)

[Speaker System Sanyo M908DSR Instruction Manual](#)

(14 pages)

## Related Products for Sanyo DC-T44

[Sanyo DC-F380](#)

[Sanyo DC-F380U](#)

[Sanyo DC-DA380](#)

[Sanyo DC F200](#)

[Sanyo DC-TS760](#)

[Sanyo DC-TS750](#)

[Sanyo DC-TS780](#)

[Sanyo DC-TS750AU](#)

[Sanyo DC-TS765KR](#)

[Sanyo DC-TS730](#)

[SANYO DC-TS960WL](#)

[Sanyo DC-TS3000](#)

[Sanyo DC-TS3000XE](#)

[Sanyo DC-TS830WL](#)

[Sanyo DC-DA300](#)

[Sanyo DC-DA150](#)