

Control Block Diagram - Toshiba RAS-13BKV-E Service Manual

Split type

1
2
3
4
5
6
7
8
9
10
11
12
13
14
15
16
17
18

19
20
21
22
23
24
25
26
27
28
29
30
31
32
33
34
35
36
37
38
39
40
41
42
43
44
45
46
47
48
49
50
51
52
53
54
55
56
57
58
59
60
61
62
63
64
65
66
67
68

69
70
71
72
73
74
75
76
77
78
79
80
81
82
83
84
85
86
87
88
89
90
91
92
93
94
95
96
97
98
99
100
101
102
103
104
105
106

•

[Table of Contents](#)

•

Bookmarks



8-1. Indoor Unit

Heat Exchanger Sensor

Temperature Sensor

Infrared Rays Signal Receiver

Initializing Circuit

Infrared

Rays

Clock Frequency

Oscillator Circuit

36.7KHz

Power Supply

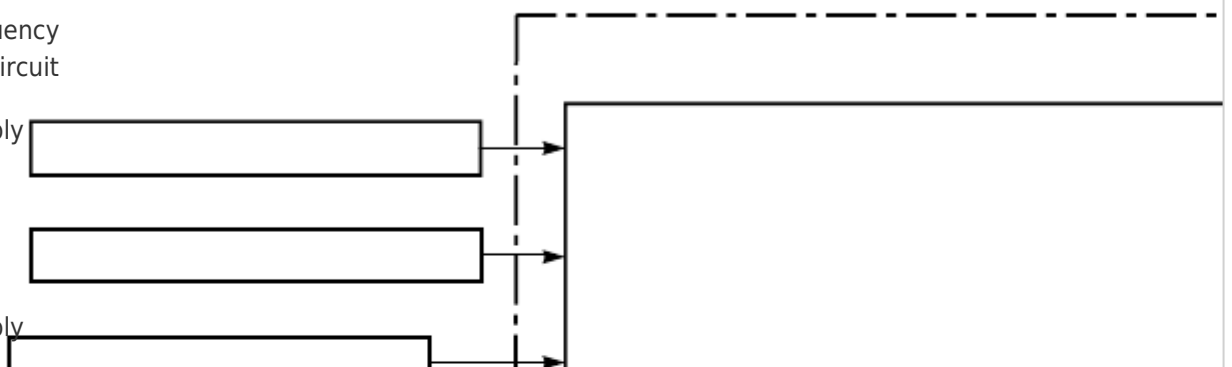
Circuit

Remote

Control

Noise Filter

Power Supply



(From Outdoor Unit)
REMOTE CONTROL

8. CONTROL BLOCK DIAGRAM

Indoor Unit Control Panel

Functions

- Louver Control
- 3-minute Delay at Restart for Compressor
- Motor Revolution Control

• Processing (Temperature Processing)

• Timer

• LED brightness dim

• Serial Signal Communication (Serial Signal Transmitter/Receiver)

• Operation Mode Selection

AUTO, COOL, DRY, HEAT, FAN ONLY

Louver Direction Setting

- 23 -

M.C.U

Louver ON/OFF Signal

Louver Driver

Remote Control

Operation ()

Temperature Setting

Fan Speed Selection

OFF TIMER Setting

Louver Auto Swing

ECO

Hi-POWER

FILE NO. SVM-16003

Operation

Display

Timer

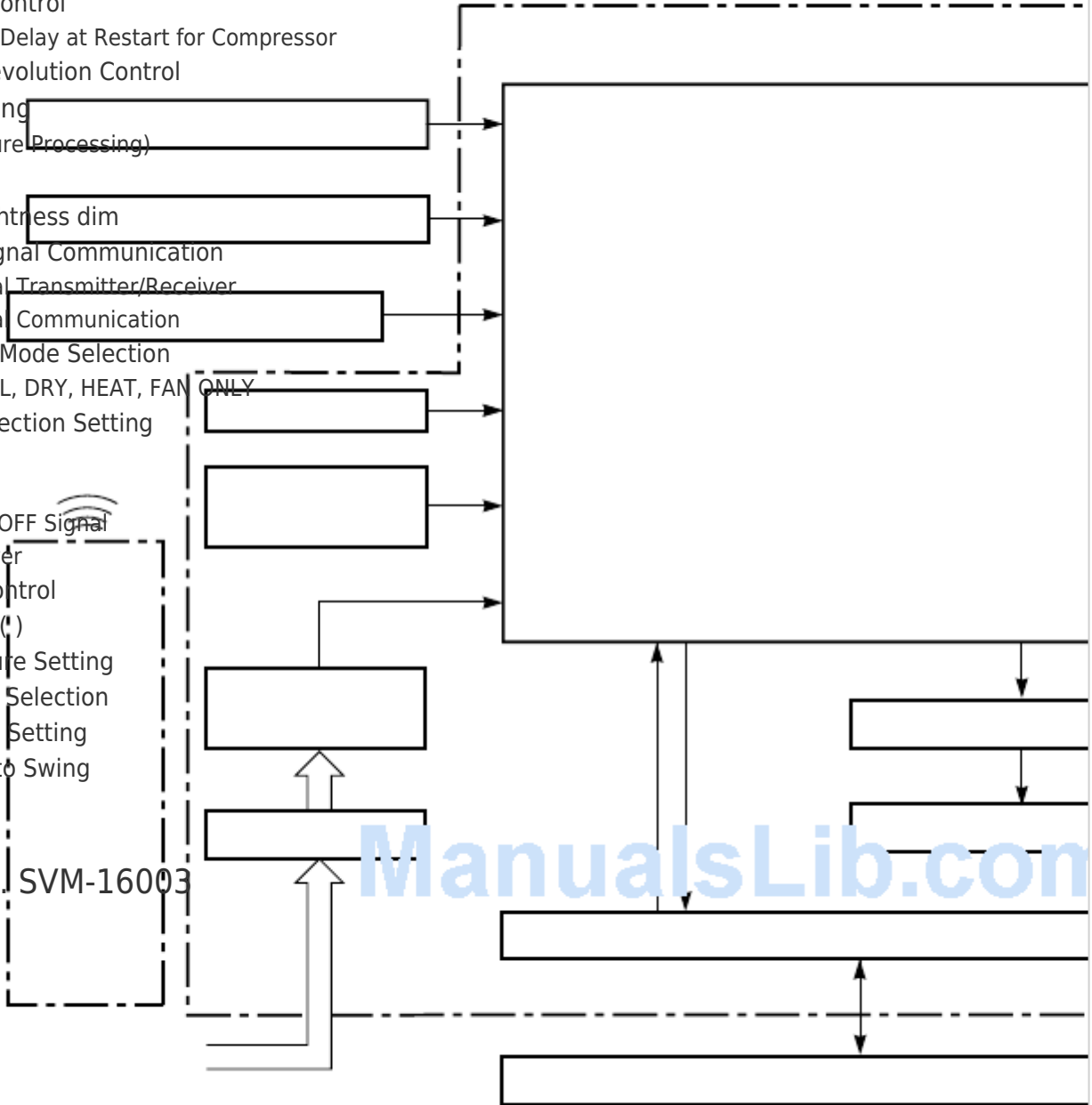
Display

Indoor

Fan Motor

Louver Motor

Infrared Rays



[Table of Contents](#)

[Previous Page](#)
[Next Page](#)

1
...
20
21
22
23
24
25
26
27

Quick Links:

[Service Manual](#)

[Specifications](#)

[Remote Controller and Its Functions](#)

[How to Diagnose the Trouble](#)

Chapters

[Service Manual 2](#)

[Auto Restart Function/Remote Controller and Its Functions 26](#)

Related Manuals for Toshiba RAS-13BKV-E

[Air Conditioner Toshiba RAS-07BKV-E Installation Manual](#)

(315 pages)

[Air Conditioner Toshiba RAS-13BAV-E Owner's Manual](#)

(84 pages)

[Split air conditioner Toshiba RAS-05 Installation Manual](#)

(16 pages)

[Air Conditioner Toshiba RAS-13BKV-E Installation Manual](#)

(15 pages)

[Air Conditioner Toshiba RAS-07 Owner's Manual](#)

Air conditioner (split type) (8 pages)

[Air Conditioner Toshiba MIRAI RAS-05BKV-E Owner's Manual](#)

(4 pages)

[Air Conditioner Toshiba RAS-07 Owner's Manual](#)

(4 pages)

[Air Conditioner Toshiba RAS-10PKVSG-E Installation Manual](#)

R32 inverter (148 pages)

[Air Conditioner Toshiba RAS-07BKVG-E Service Manual](#)

Split type (126 pages)

[Air Conditioner Toshiba RAS-B05BKVG-E Service Manual](#)

(126 pages)

[Air Conditioner Toshiba RAS-B10PKVSG-E Installation Manual](#)

(19 pages)

[Air Conditioner Toshiba RAS-16BAVG-E Installation Manual](#)

(17 pages)

[Air Conditioner Toshiba RAS-05BKVG-E Owner's Manual](#)

R32 inverter, for general public use (16 pages)

[Air Conditioner Toshiba RAS-16PKVSG-E Owner's Manual](#)

(6 pages)

[Air Conditioner Toshiba RAS-10BKS-HK Owner's Manual](#)

(8 pages)

[Air Conditioner Toshiba RAS-10BKCV-T Owner's Manual](#)

(8 pages)

Related Content for Toshiba RAS-13BKV-E

[RAS-B07G3KVSG-E Control Block Diagram](#)

Toshiba RAS-B07G3KVSG-E

[RAS-25S4KVDG-ND Control Block Diagram](#)

Toshiba RAS-25S4KVDG-ND

[RAS-B22PKVSG-TR Control Block Diagram](#)

Toshiba RAS-B22PKVSG-TR

[RAS-25S4KVPG-ND Control Block Diagram](#)

Toshiba RAS-25S4KVPG-ND

[RAS-10S3AV-E Control Block Diagram](#)

Toshiba RAS-10S3AV-E

[RAV-GM901BTP Series Control Block Diagram](#)

Toshiba RAV-GM901BTP Series

[MMD-AP0721HP-UL1 Indoor Control Block Diagram](#)

Toshiba MMD-AP0721HP-UL1

[RAS-M05G3KVSG-E Control Block Diagram](#)

Toshiba RAS-M05G3KVSG-E

This manual is also suitable for:

[Ras-10bkv-eRas-07bkv-eRas-13bav-eRas-07bav-eRas-10bav-eRas-16bav-e](#) ... [Show all](#)

[Save PDF](#)