

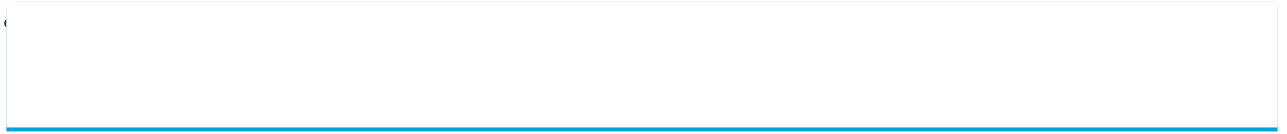
Recommended Wire Length And Diameter - Sanyo SAP-KMV91G-S Technical & Service Manual

Inverter multi-split system air conditioner

1
2
3
4
5
6
7
8
9
10
11
12
13
14
15
16
17
18

19
20
21
22
23
24
25
26
27
28
29
30
31
32
33
34
35
36
37
38
39
40
41
42
43
44
45
46
47
48
49
50
51
52
53
54
55
56
57
58
59
60
61
62
63
64
65
66
67
68

69
70
71
72
73
74
75
76
77
78



•

-

Troubleshooting

•

Bookmarks



8-3. Recommended Wire Length and Diameter

Regulations on wiring diameter differ from locality to locality. For field wiring requirements, please refer to your local electrical codes. Carefully observe these regulations when carrying out the installation. Table 2 lists recommended wire lengths and diameters for power supply systems.



Refer to the wiring system diagram (Fig. 8) for the meaning of "A" and "B" in Table 2.

Table 2

Cross-Sectional

Area (mm

Model

CMV2441G

CAUTION

Control Line Length (A)

- 2
-)
- 1.0
- 20 m

SAP-KMV91: Unit A to D

SAP-KMV91: Unit A to C

SAP-KMV181: Unit D

Unit D

Be sure to comply with local codes on running the wire from the indoor unit to the outdoor unit (size of wire and wiring method, etc.).

Each wire must be firmly connected.

No wire should be allowed to touch refrigerant tubing, the compressor, or any moving part.

Be sure to connect power wires correctly matching up numbers on terminals of the outdoor unit and respective indoor units A - D.

To avoid the risk of electric shock, each air conditioner unit must be grounded.

Be sure to connect the power supply line to the outdoor unit as shown in the wiring diagram. The indoor unit draws its power from the outdoor unit.

Power Line Length (B)

- 2.5
- 4.0
- 16 m
- 27 m

Indoor unit

Unit A

- 1
- 2
- 4

Unit B

- 1
- 2
- 4

Unit C

- 1
- 2
- 4

Unit D

- 1
- 1
- 2
- 2
- 4
- 4
- 5

(A)

29

Fuse or Circuit Capacity

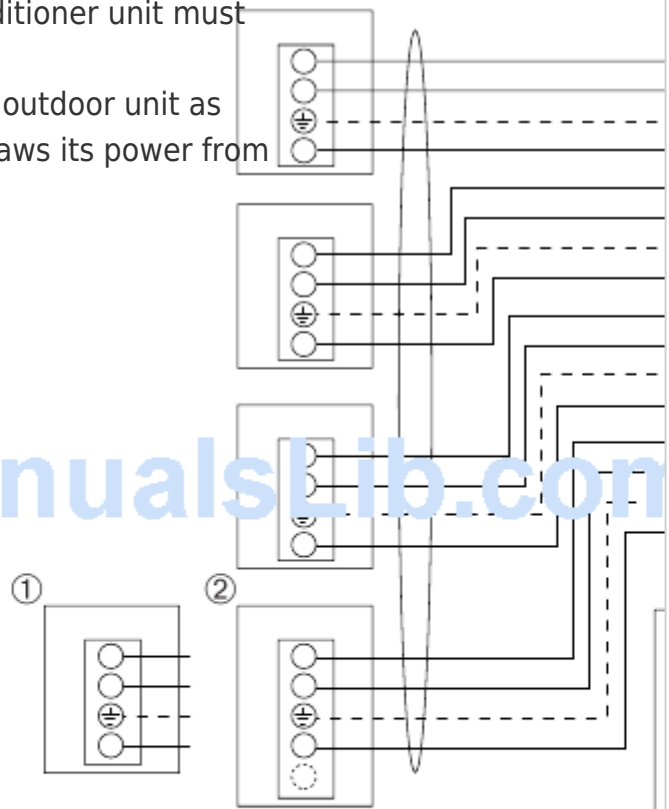
20 A



WIRING SYSTEM DIAGRAM

- ①
- ②

ManualsLib.com



Outdoor unit

Terminal plate (16P)

1
2
4
1
2
4
1
2
4
1
2
4



Terminal plate (3P)

1
2

Grounding line

Power supply

Single-phase, 220 - 230 VAC

Fig. 8

(B)

Power

Unit A

Cont

Power

Unit B

Cont

Power

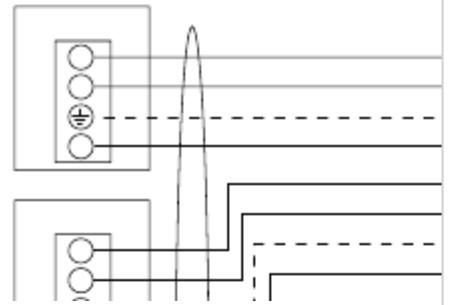
Unit C

Cont

Power

Unit D

Cont



[Table of Contents](#)

[Previous Page](#)
[Next Page](#)

1
...
30
31
32
33
34
35
36
37

Quick Links:

[Specifications in Combination with Indoor Units](#)

Chapters

[Table of Contents](#) 3

[Table of Contents](#) 53

Troubleshooting

[TROUBLESHOOTING](#) 41

[Troubleshooting Using the Self-Diagnostic Monitor](#) 42

[Troubleshooting](#) 77

Related Manuals for Sanyo SAP-KMV91G-S

[Air Conditioner Sanyo SAP-CMRV1424EH Technical & Service Manual](#)

Dc inverter multi-system air conditioner (114 pages)

[Air Conditioner Sanyo SAP-KMRV74EH Installation Instructions Manual](#)

Inverter split system air conditioner (24 pages)

[Air Conditioner Sanyo SAP-KMRV74EH Installation Instructions Manual](#)

Inverter multi split system air conditioner (28 pages)

[Air Conditioner Sanyo SAP-CMRV1426EH Technical & Service Manual](#)

(148 pages)

[Air Conditioner Sanyo SAP-KM97AHA Technical & Service Manual](#)

Multi-split system air conditioner (50 pages)

[Air Conditioner Sanyo SAP-KM97GHS5A Technical & Service Manual](#)

Multi-split system air conditioner (48 pages)

[Air Conditioner Sanyo SAP-CMRV3143GJH Technical & Service Manual](#)

Dc inverter multi-system air conditioner (45 pages)

[Air Conditioner Sanyo SAP-KMRV93GJH Technical & Service Manual](#)

Dc inverter multi-system air conditioner (64 pages)

[Air Conditioner Sanyo SAP-K9AP Instruction Manual](#)

Split system air conditioner (37 pages)

[Air Conditioner Sanyo SAP-KRV9AG Instruction Manual](#)

Inverter-controlled split system air conditioner (22 pages)

[Air Conditioner Sanyo SAP-KRV123EH Technical & Service Manual](#)

Dc inverter split system air conditioner (77 pages)

[Air Conditioner Sanyo SAP-CRV93EHN Technical & Service Manual](#)

Dc inverter split system air conditioner (77 pages)

[Air Conditioner Sanyo SAP-KRV94EHDX Technical & Service Manual](#)

Dc inverter split system air conditioner (85 pages)

[Air Conditioner Sanyo SAP-KRV9AEH Service Manual](#)

Dc inverter split system air conditioner (108 pages)

[Air Conditioner Sanyo SAP-K181AHA-S Technical & Service Manual](#)

(78 pages)

[Air Conditioner Sanyo SAP-K181AA Technical & Service Manual](#)

Split system air conditioner (66 pages)

Related Content for Sanyo SAP-KMV91G-S

[SAP-KM97GHS5A Recommended Wire Length And Diameter](#)

Sanyo SAP-KM97GHS5A

[SAP-K91AA Recommended Wire Length And Diameter](#)

Sanyo SAP-K91AA

[SAP-K92A Recommended Wire Length And Diameter](#)

Sanyo SAP-K92A

[SAP-K91AA-S Recommended Wire Length And Diameter](#)

Sanyo SAP-K91AA-S

[SAP-CMRV1426EH Recommended Wire Length And Diameter](#)

Sanyo SAP-CMRV1426EH

[SAP-K77GHAX Recommended Wire Length And Diameter](#)

Sanyo SAP-K77GHAX

[SAP-K71GJA Recommended Wire Length And Diameter](#)

Sanyo SAP-K71GJA

[SAP-KV94GJ Recommended Wire Length And Diameter](#)

Sanyo SAP-KV94GJ

This manual is also suitable for:

[Sap-kmv181g-sSap-cmv2441g](#)