

Indoor Unit - Toshiba RAS-B10SKVP-E Service Manual

1
2
3
4
5
6
7
8
9
10
11
12
13
14
15
16
17
18

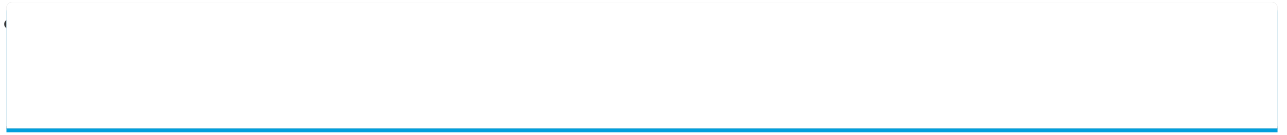
19
20
21
22
23
24
25
26
27
28
29
30
31
32
33
34
35
36
37
38
39
40
41
42
43
44
45
46
47
48
49
50
51
52
53
54
55
56
57
58
59
60
61
62
63
64
65
66
67
68

69
70
71
72
73
74
75
76
77
78
79
80
81
82
83
84
85
86
87
88
89
90
91
92
93
94
95
96
97
98
99
100
101
102
103
104
105
106
107
108
109
110
111
112
113
114
115
116
117
118

119

Table Of Contents

120



•

[Table of Contents](#)

-

Troubleshooting

•

Bookmarks



5-3. Outdoor Unit

RAS-10SAVP-ND, RAS-13SAVP-ND, RAS-16SAVP-ND

Compressor

RED

1

1

WHI

CM

2

2

BLK

3

3

P25

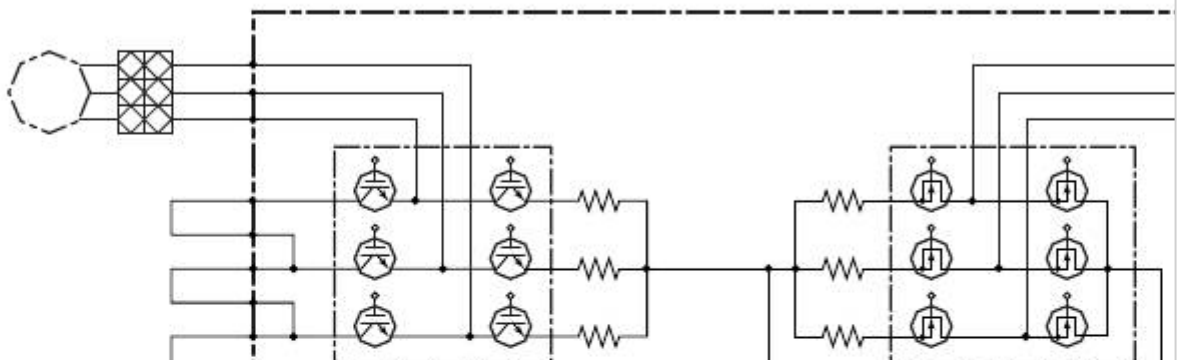
YEL

P23

YEL

P21

BRW



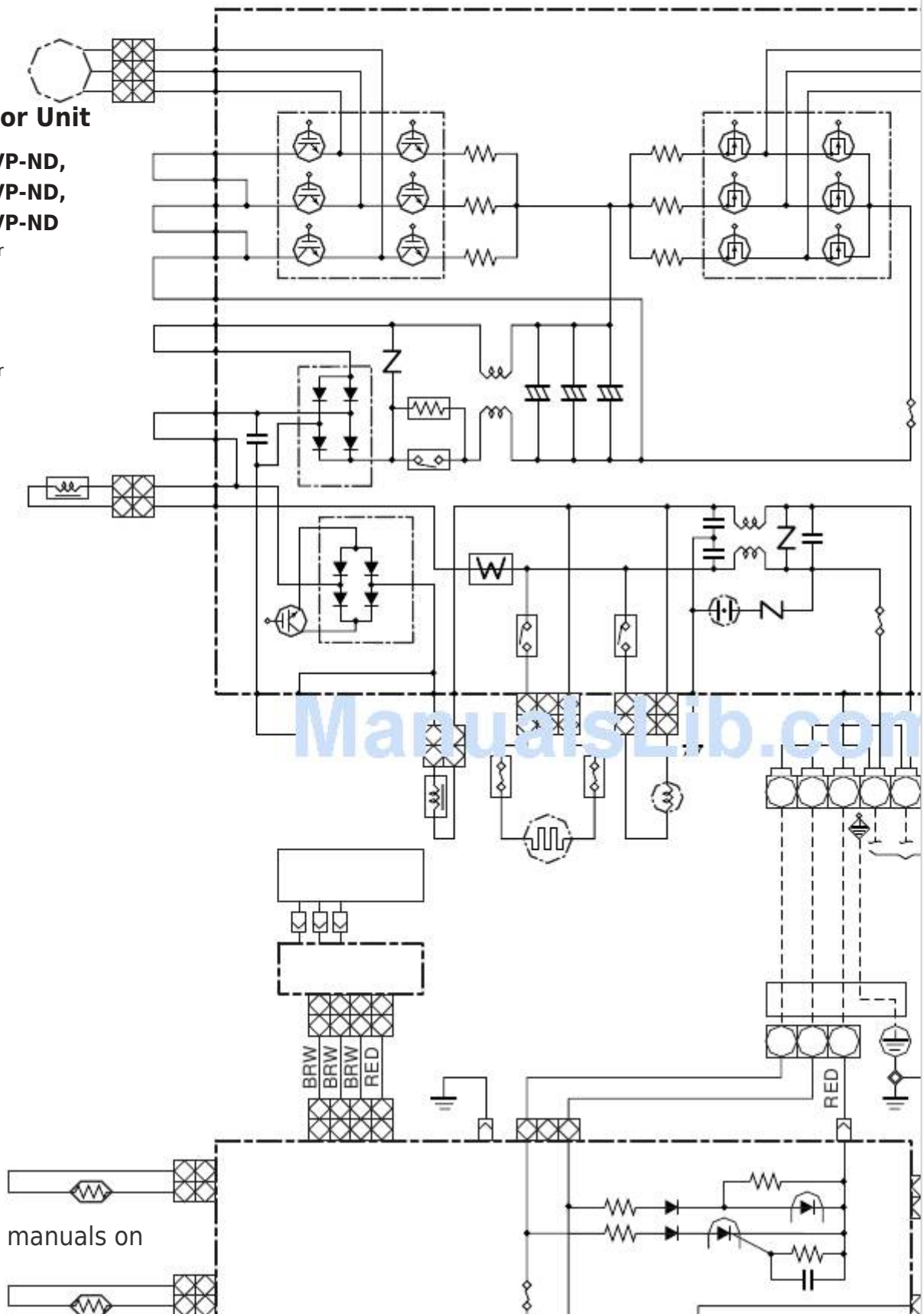
P35
 YEL
 P19
 ORN
 P18
 Reactor
 P11
 1
 1
 2
 2
 P08

5-4. Indoor Unit

**RAS-10SKVP-ND,
 RAS-13SKVP-ND,
 RAS-16SKVP-ND**

Heat Exchanger
 Sensor
 (TCJ)
 BLK
 BLK
 Heat Exchanger
 Sensor
 (TC)
 BLK
 BLK
 Thermo Sensor
 (TA)

BLK
 BLK
 WHI
 1
 1
 BLU
 2
 2
 BLU
 3
 3
 BLU
 4 4
 BLU
 5 5
 BLU
 6 6
 BLU
 7 7
 BLU
 8 8
 BLU
 9 9
 BLU
 10 10
 CN10
 CN21
 (WHI)
 (WHI)
 More user manuals on
 P04
 P05



ManualsLib.com

Q200 ~ 205

P06

IGBT

P24

P22

P20

P34

DB01

Power Relay

DB02

Q404

P33

P32

P31

1

2

PUR

1

2

Reactor

Air Purifier

Electrode

High-voltage

Power Supply

4

3

2

1

4

3

2

1

BLK

4

3

2

1

4

3

2

1

CN42

1

1

CN63

(WHI)

2

2

(YEL)

F01 Fuse

1

1

CN62

AC 250V

(BLU)

2

2

T3.15A

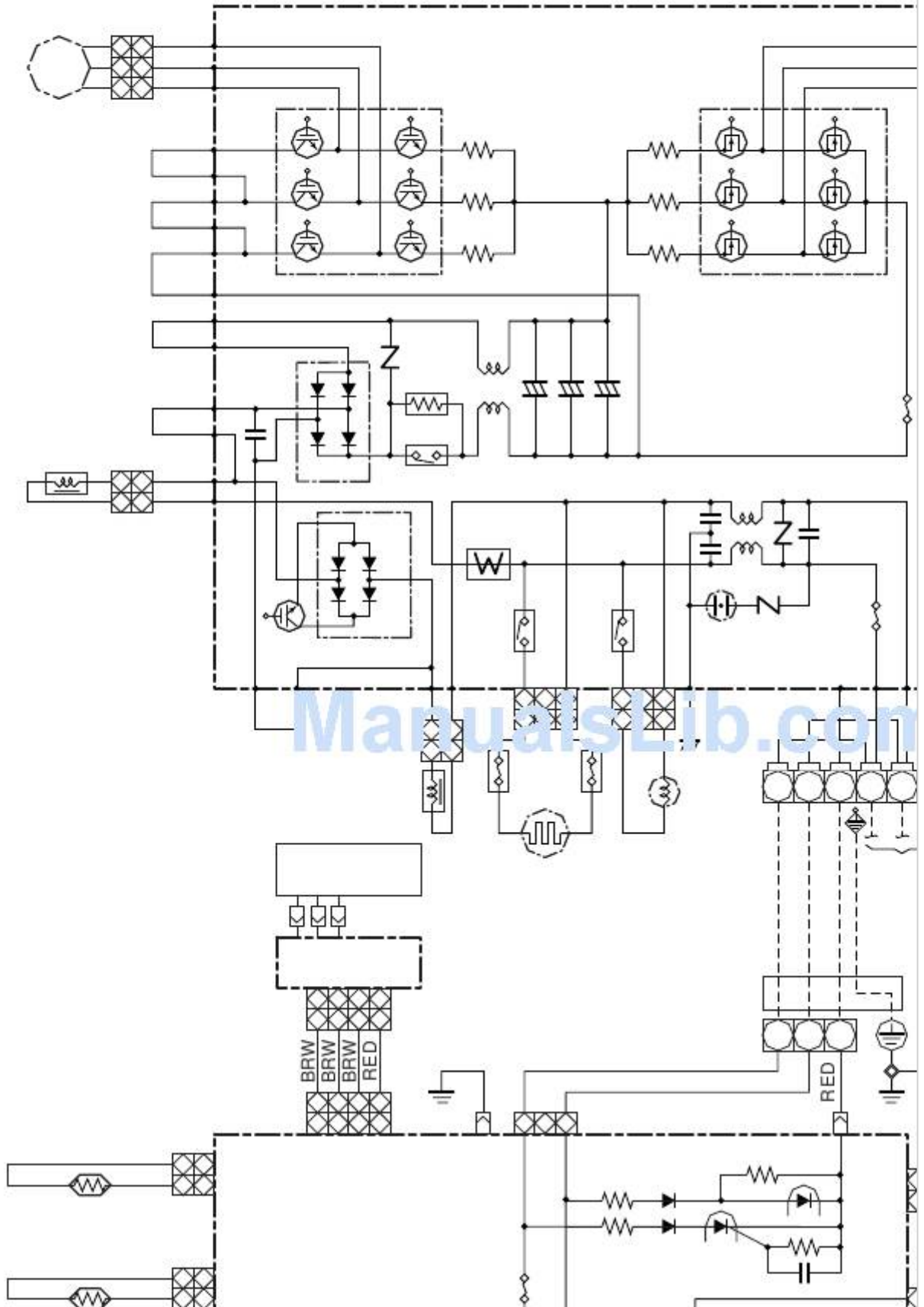
1

1

CN61

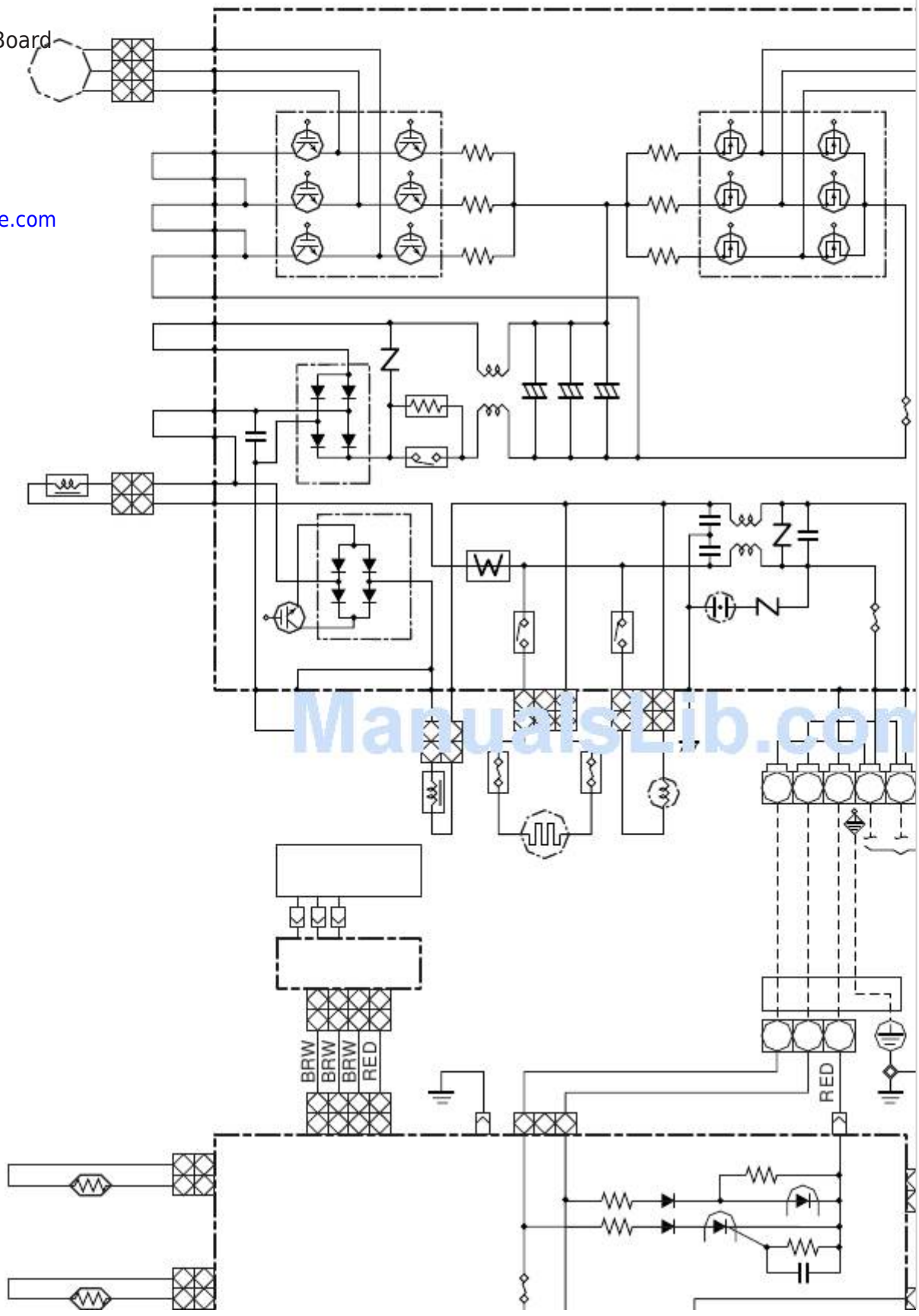
(WHI)

2



ManualsLib.com

2
 1
 1
 2
 2
 Line Filter
 3
 3
 4 4
 5 5
 Main P. C. Board
 6 6
 MCC-5045
 7 7
 8 8
 9 9
 10 10
ManualsBase.com
 Q300 ~ 305
 MOS-FET
 R221
 R321
 R220
 R320
 R219
 R319
 L03
 C13
 P. C. Board
 MCC-5009
 -
 -
 +
 +
 +
 C12
 C14
 CT
 Relay
 Relay
 Surge
 Absorber
 CN703
 CN701
 P07
 1
 3
 1
 3
 P30
 BLK
 1
 3
 1
 3
 Fuse
 250V~
 T3.15A



ManualsLib.com

Coil for
4-way Valve
Heater for
Anti Freeze
Indoor Terminal Block
BLK
WHI
3

1
CN02
CN01
Varistor
R01
~
+
~
+
- 21 -

CN300
CN700
CN603
F03 Fuse
250V ~
CN602
T3.15A
Varistor
L01
CN601
F01
Varistor

Fuse
250V~
CN600
T25A
P03 P10
P02
ORN
BLK
WHI

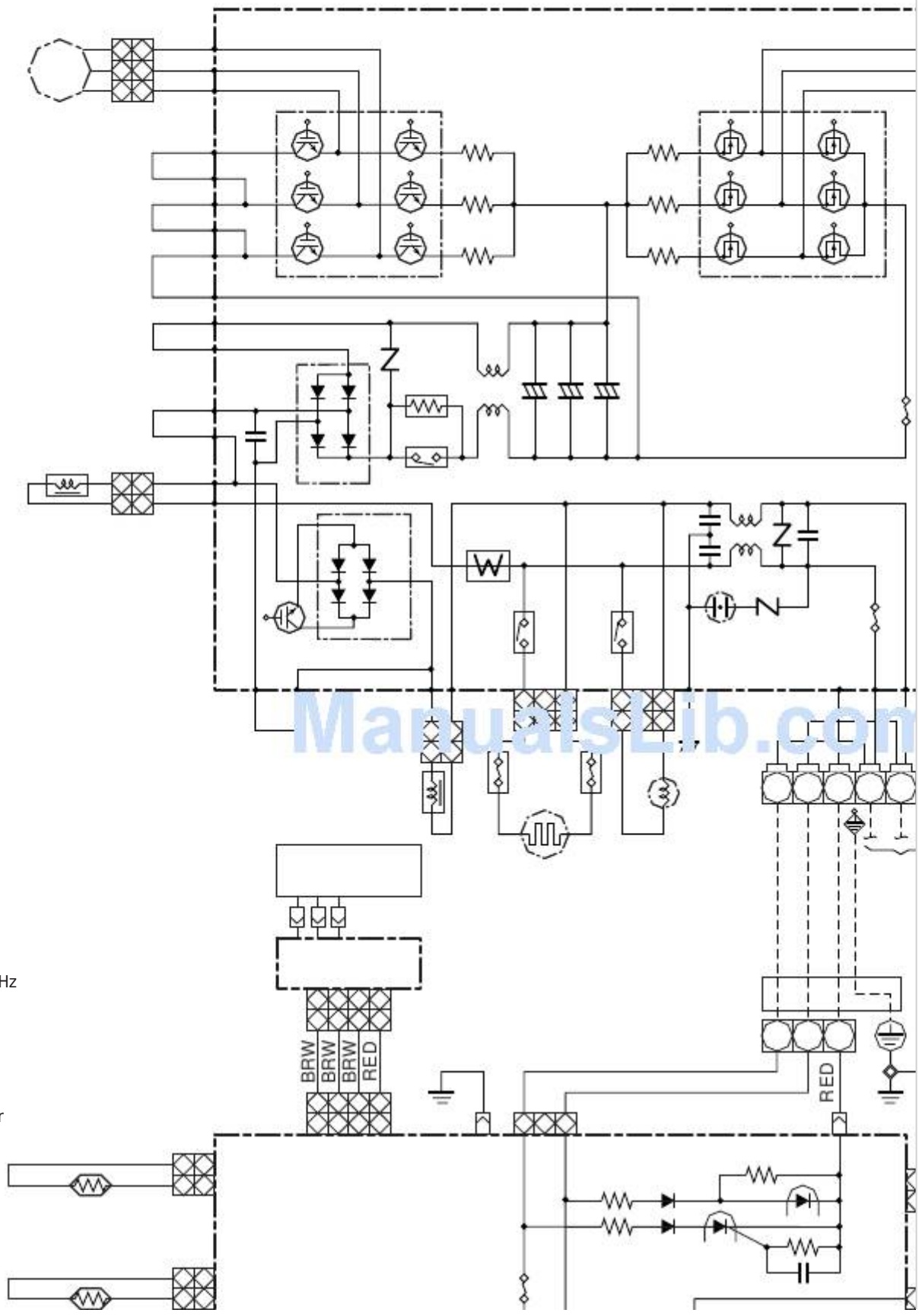
1
2
3
L
N

Power Supply
220-240V~, 50Hz

1
2
3

Heat Exchanger
GRN & YEL
CN41
CN51
(RED)

1
1
2



2
RED
1
1

BLK
3
3

WHI
4 4
CN31
YEL

5 5
(WHI)

BLU
6 6
WHI

1
1
CN32

YEL
(WHI)

2
2
YEL

3
3
YEL

4
4
DC5V

YEL
5 5
DC12V

1
2
CN22

3
(WHI)

4
Fan Motor
BLK

3
3
WHI

FM
2
2

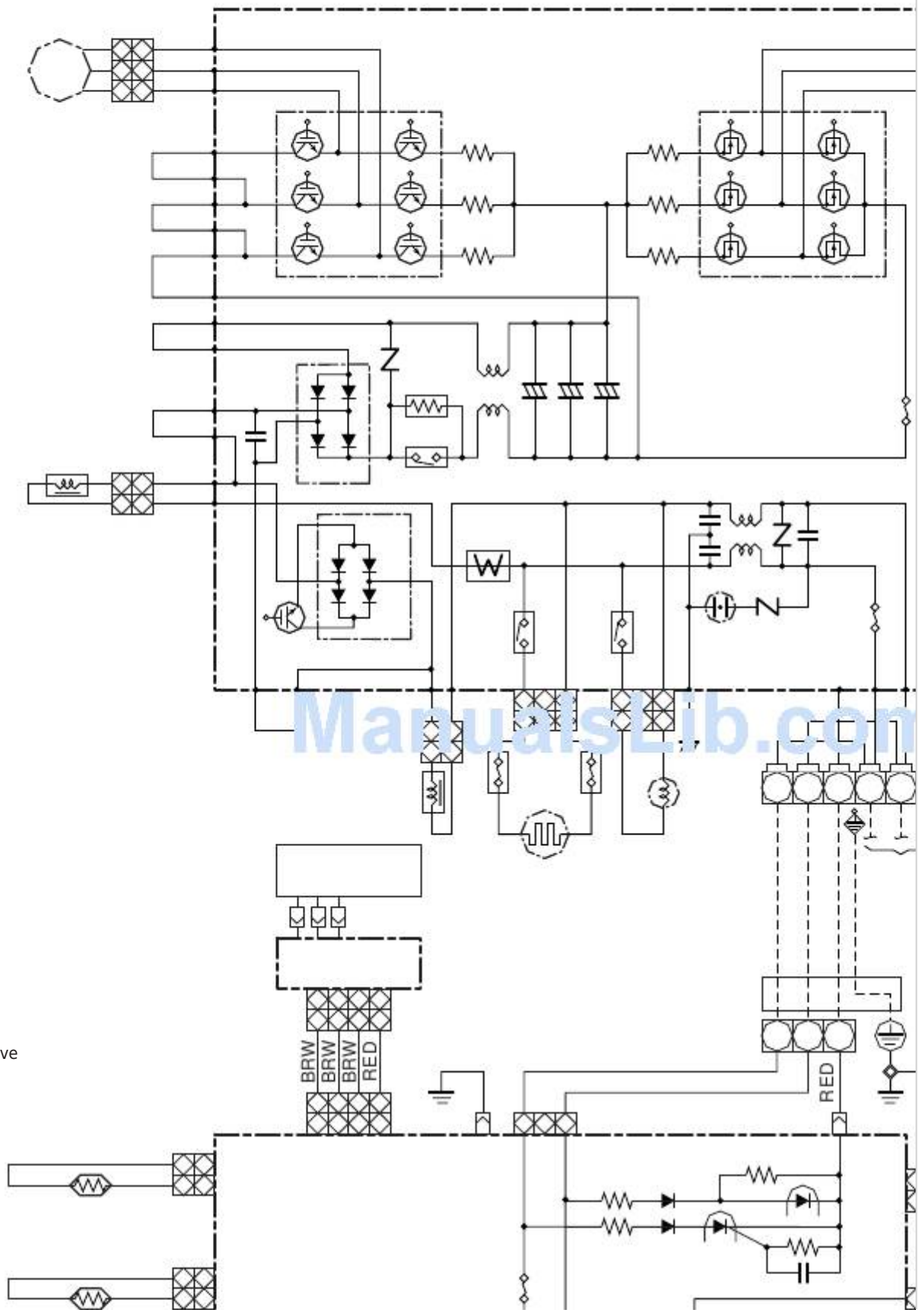
RED
1
1

Pulse Motor Valve

6
6
5
5

4
4
PMV

3 3
2 2



1 1
 3
 3
 2

 1
 1
 (TS)
 Suction pipe
 Temp. Sensor
 2
 2
 1
 1
 (TO)
 Outdoor
 Temp. Sensor
 3
 3
 2

 1
 1
 (TD)
 Discharge pipe
 Temp. Sensor
 2
 2
 1
 1
 (TE)
 Condenser pipe
 Temp. Sensor
 BRW
 Micro SW
 BLU
 Fan Motor
 DC Motor
 1
 1
 2
 2
 3
 3
 4 4
 5 5
 Louver Motor

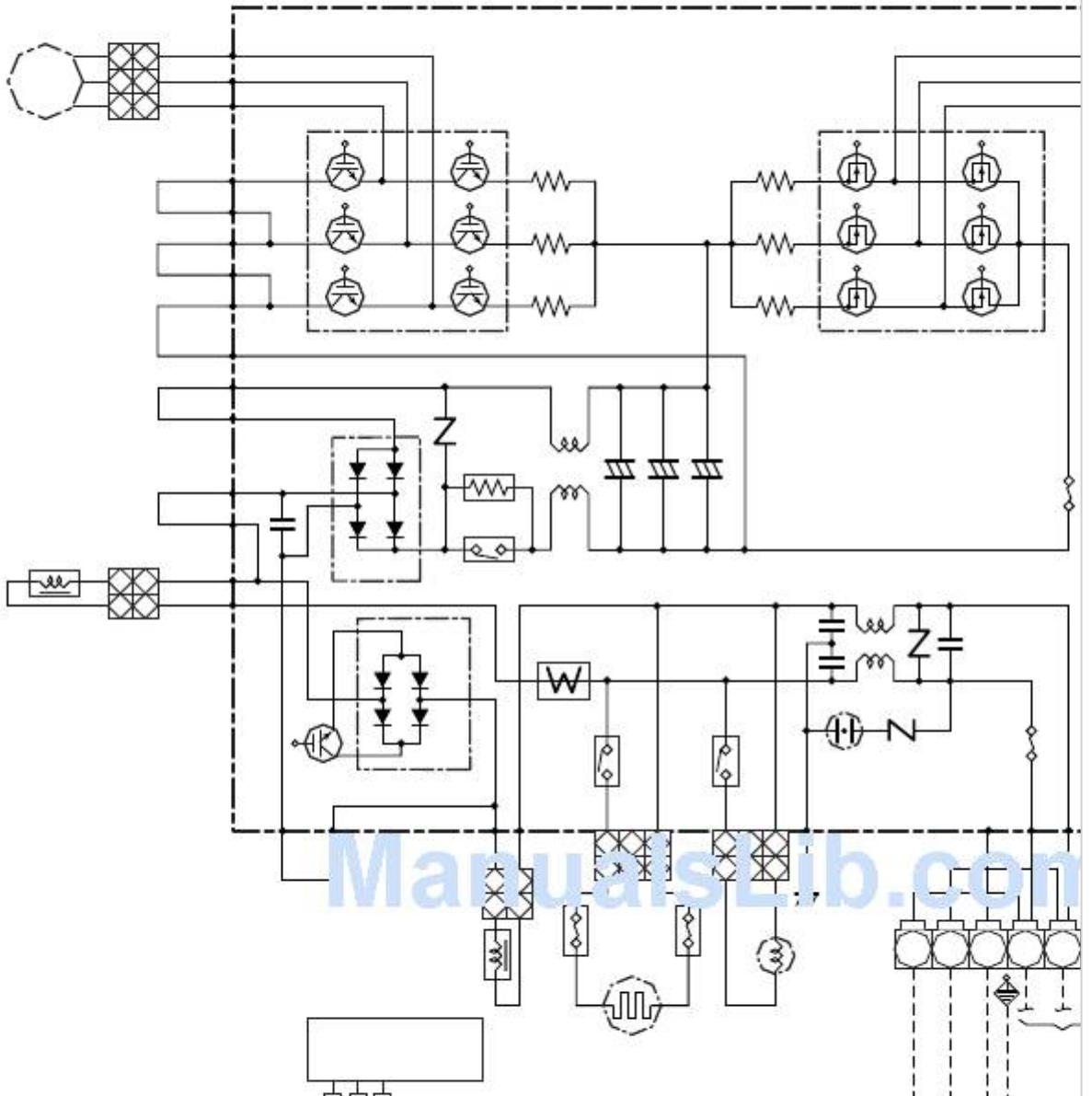


Table of Contents

[Previous Page](#)
[Next Page](#)

1
...
18
19
20
21
22
23
24
25

Quick Links:

[Service Manual](#)

[Specifications](#)

[Indoor Unit](#)

[Clean Operation](#)

[How to Diagnose the Trouble](#)

[How to Replace the Main Parts](#)

Related Manuals for Toshiba RAS-B10SKVP-E

[Air Conditioner Toshiba RAS-B10SKVP-E Installation Manual](#)

(148 pages)

[Air Conditioner Toshiba RAS-4M23SAV-E Service Manual](#)

Split type (121 pages)

[Air Conditioner Toshiba RAS-B10SKVP-E Service Manual](#)

Split type air conditioner (119 pages)

[Air Conditioner Toshiba RAS-10SAVP-E Service Manual](#)

(119 pages)

[Air Conditioner Toshiba RAS-B10SKVP-E Service Manual](#)

Split type (117 pages)

[Air Conditioner Toshiba RAS-B10SKVP-E Service Manual](#)

(117 pages)

[Air Conditioner Toshiba RAS-B10SKVP-E Owner's Manual](#)

Split type air conditioner (91 pages)

[Air Conditioner Toshiba RAS-B10SKVP-E Owner's Manual](#)

Split type; for general public use (31 pages)

[Air Conditioner Toshiba RAS-B10SKVP-E Owner's Manual](#)

Split type (31 pages)

[Air Conditioner Toshiba RAS-B10SKVP-E Installation Manual](#)

(19 pages)

[Air Conditioner Toshiba RAS-B10SKVP-E Installation Manual](#)

Split type air conditioner (19 pages)

[Air Conditioner Toshiba RAS-16SKVP-ND Owner's Manual](#)

(230 pages)

[Air Conditioner Toshiba RAS-10SKVP-ND Installation Manual](#)

(132 pages)

[Air Conditioner Toshiba RAS-10SKVP-ND Owner's Manual](#)

(61 pages)

[Air Conditioner Toshiba RAS-B10S4KVP-G-E Installation Manual](#)

(24 pages)

[Air Conditioner Toshiba RAS-B13S4KVDG-E Service Manual](#)

(149 pages)

Related Content for Toshiba RAS-B10SKVP-E

[RAS-2M10G3AVG-E Intermittent Operation Control For Indoor Fans Of The Indoor Unit At Thermo-Off Side In Heating Operation](#)

Toshiba RAS-2M10G3AVG-E

[RAS-5M34G3AVG-E Intermittent Operation Control For Indoor Fans Of The Indoor Unit At Thermo-Off Side In Heating Operation](#)

Toshiba RAS-5M34G3AVG-E

[MMU-UP0031YHP-ETR Test Run Of Indoor Unit](#)

Toshiba MMU-UP0031YHP-ETR

[RAV-GV1101AT8P-TR Indoor Unit](#)

Toshiba RAV-GV1101AT8P-TR

[RAS-B10S4KVP-G-E In Case Of Indoor Unit Connect With 1:1 Outdoor Unit](#)

Toshiba RAS-B10S4KVP-G-E

[RAS-M07N3KV2 Series Indoor Unit](#)

Toshiba RAS-M07N3KV2 Series

[Carrier MMU-UP0151YHP-UL Setup Of Selecting Function Indoor Unit](#)

Toshiba Carrier MMU-UP0151YHP-UL

[RAS-B24B2KVG-E Indoor Unit](#)

This manual is also suitable for:

[Ras-b13skvp-eRas-13savp-eRas-b16skvp-eRas-16savp-eRas-10skvp-ndRas-10savp-nd](#) ... [Show all](#)