



# Installation Procedure - Toshiba RAS-B10SKVP-E Service Manual



1  
2  
3  
4  
5  
6  
7  
8  
9  
10  
11  
12  
13  
14  
15  
16  
17  
18

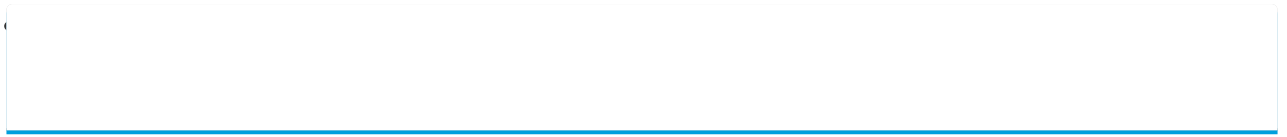
19  
20  
21  
22  
23  
24  
25  
26  
27  
28  
29  
30  
31  
32  
33  
34  
35  
36  
37  
38  
39  
40  
41  
42  
43  
44  
45  
46  
47  
48  
49  
50  
51  
52  
53  
54  
55  
56  
57  
58  
59  
60  
61  
62  
63  
64  
65  
66  
67  
68

69  
70  
71  
72  
73  
74  
75  
76  
77  
78  
79  
80  
81  
82  
83  
84  
85  
86  
87  
88  
89  
90  
91  
92  
93  
94  
95  
96  
97  
98  
99  
100  
101  
102  
103  
104  
105  
106  
107  
108  
109  
110  
111  
112  
113  
114  
115  
116  
117  
118

119

Table Of Contents

120



•

[Table of Contents](#)

- 

Troubleshooting



•

## Bookmarks





## 10-1. Safety Cautions

Air filters

2 Wireless

remote controller

4 Remote controller holder

7 Remote controller

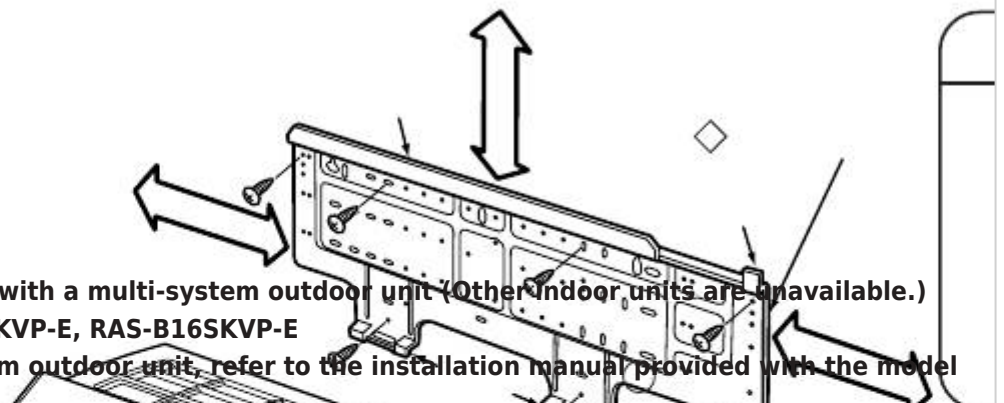
holder mounting screw

When installing the outdoor unit, leave open in at least two of directions (A), (B), (C) and (D) shown in the figure below.

- With the remote controller cover removed, correctly load the supplied batteries while observing their polarity.

- **Indoor units connectable with a multi-system outdoor unit (Other indoor units are unavailable.) RAS-B10SKVP-E, RAS-B13SKVP-E, RAS-B16SKVP-E**

- **When using a multi-system outdoor unit, refer to the installation manual provided with the model**



concerned.

More user manuals on

## 10. INSTALLATION PROCEDURE

Hook

140 mm or more

5 Plasma pure filter

80 mm or more only

when unobstructed to  
the front and both sides

100 mm or more

from wall

In principle,

leave open

(C)

200 mm

or more

(B)

Ensure sufficient space

to allow drainage

Before installing the wireless remote controller

2 Wireless remote controller

[ManualsBase.com](http://ManualsBase.com)

47 mm or more

1 Installation plate

Hook

Hook

6 Mounting screw

Z Shield pipe

(for extension

drain hose)

Y

50 mm or more

from wall

(D)

(A)

250 mm or more

from wall

Power cord

Extension drain hose

(Option: RB-821SW)

Cover

3 Batteries

- 55 -

For the rear left and left piping

Insert the cushion between

74 mm

the indoor unit and wall, and

or more

tilt the indoor unit for better

installation work.

Do not allow the drain hose

to become slack

Cut the piping hole

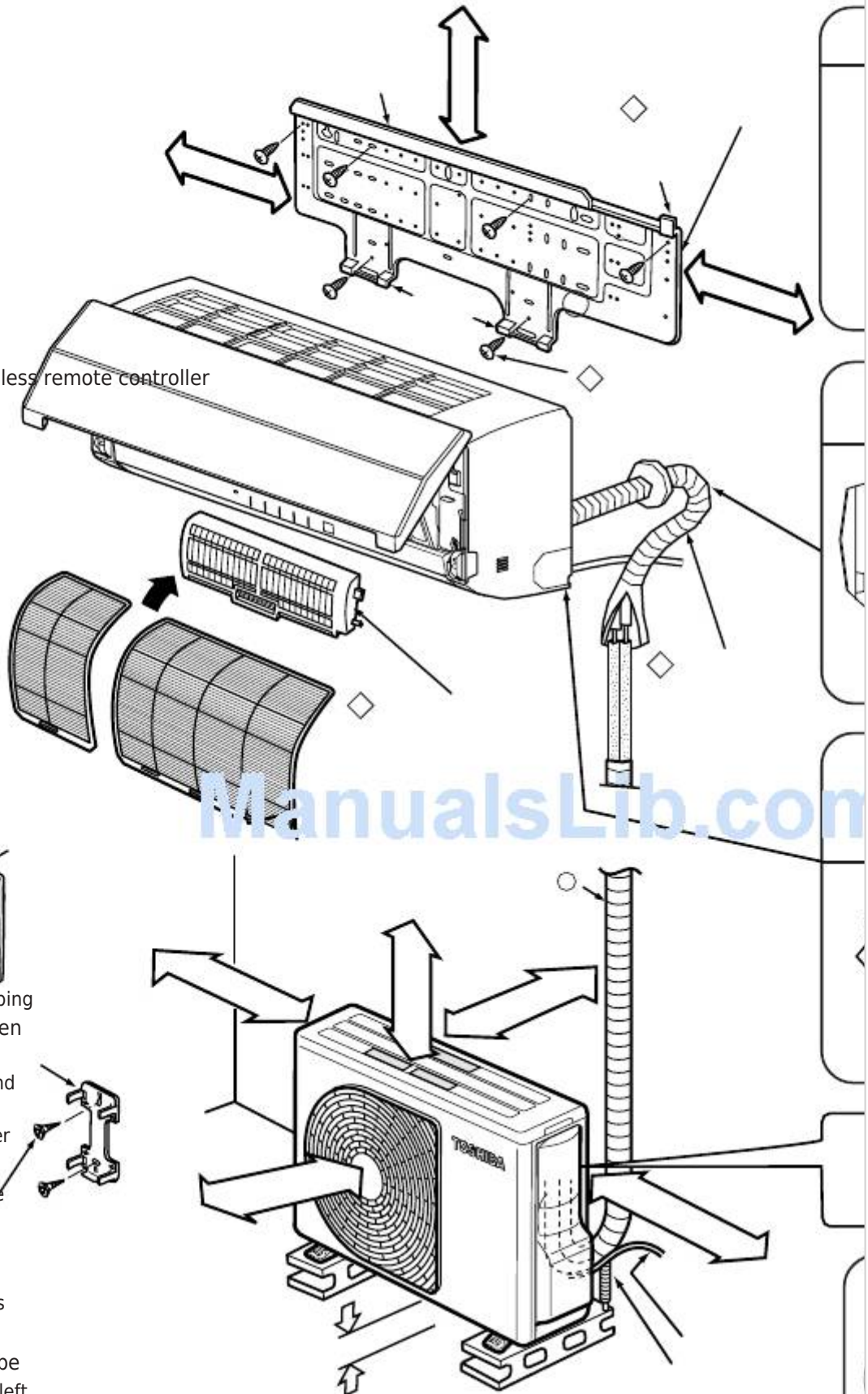
slightly sloped

Make sure the drain hose is

sloped downward.

The auxiliary piping can be

connected at the left, rear left,



rear right, right, bottom right or bottom left as shown below.

- Right
- Rear
- Bottom
- right
- left
- Bottom right

As shown in the figure, position power cord and connecting cable downward, and lead out along piping connection port.

Insulate the refrigerant pipes separately, not together.

6 mm thick heat resisting polyethylene foam

- Wall
- Left
- Rear left

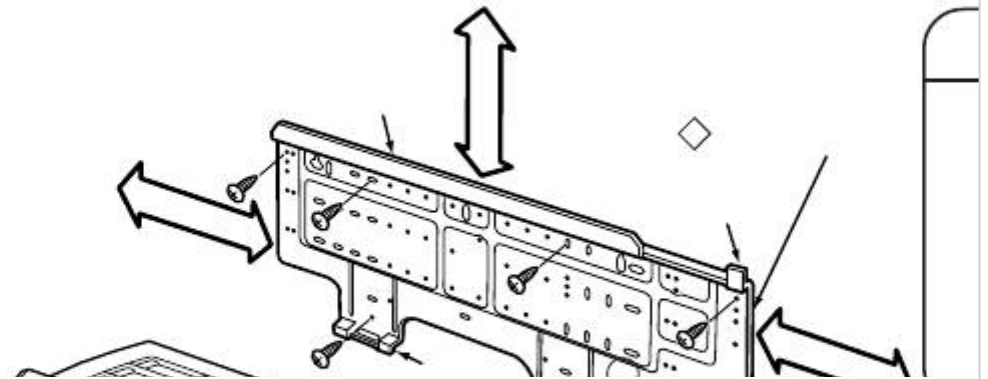


Table of Contents

[Previous Page](#)  
[Next Page](#)

1  
...  
52  
53  
54  
55  
56  
57  
58  
59



Quick Links:

[Service Manual](#)

[Specifications](#)

[Indoor Unit](#)

[Clean Operation](#)

[How to Diagnose the Trouble](#)

[How to Replace the Main Parts](#)

## Related Manuals for Toshiba RAS-B10SKVP-E

[Air Conditioner Toshiba RAS-B10SKVP-E Installation Manual](#)

(148 pages)

[Air Conditioner Toshiba RAS-4M23SAV-E Service Manual](#)

Split type (121 pages)

[Air Conditioner Toshiba RAS-B10SKVP-E Service Manual](#)

Split type air conditioner (119 pages)

[Air Conditioner Toshiba RAS-10SAVP-E Service Manual](#)

(119 pages)

[Air Conditioner Toshiba RAS-B10SKVP-E Service Manual](#)

Split type (117 pages)

[Air Conditioner Toshiba RAS-B10SKVP-E Service Manual](#)

(117 pages)

[Air Conditioner Toshiba RAS-B10SKVP-E Owner's Manual](#)

Split type air conditioner (91 pages)

[Air Conditioner Toshiba RAS-B10SKVP-E Owner's Manual](#)

Split type; for general public use (31 pages)

[Air Conditioner Toshiba RAS-B10SKVP-E Owner's Manual](#)

Split type (31 pages)

[Air Conditioner Toshiba RAS-B10SKVP-E Installation Manual](#)

(19 pages)

[Air Conditioner Toshiba RAS-B10SKVP-E Installation Manual](#)

Split type air conditioner (19 pages)

[Air Conditioner Toshiba RAS-16SKVP-ND Owner's Manual](#)

(230 pages)

[Air Conditioner Toshiba RAS-10SKVP-ND Installation Manual](#)

(132 pages)

[Air Conditioner Toshiba RAS-10SKVP-ND Owner's Manual](#)

(61 pages)

[Air Conditioner Toshiba RAS-B10S4KVP-G-E Installation Manual](#)

(24 pages)

[Air Conditioner Toshiba RAS-B13S4KVDG-E Service Manual](#)

(149 pages)

## Related Content for Toshiba RAS-B10SKVP-E

[RAS-25S4KVDG-ND Installation Procedure](#)

Toshiba RAS-25S4KVDG-ND

[RAS-B22PKVSG-TR Installation Procedure](#)

Toshiba RAS-B22PKVSG-TR

[RAS-25S4KVPG-ND Installation Procedure](#)

Toshiba RAS-25S4KVPG-ND

[RAS-10S3AV-E Installation Procedure](#)

Toshiba RAS-10S3AV-E

[RAS-M05G3KVSG-E Installation Procedure](#)

Toshiba RAS-M05G3KVSG-E

[RAS-18S3KV-E Installation Procedure](#)

Toshiba RAS-18S3KV-E

[RAS-M07N4KVRG-E Installation Procedure](#)

Toshiba RAS-M07N4KVRG-E

[RAV-SM560KRT-E Installation Procedure](#)

Toshiba RAV-SM560KRT-E

This manual is also suitable for:

[Ras-b13skvp-eRas-13savp-eRas-b16skvp-eRas-16savp-eRas-10skvp-ndRas-10savp-nd](#) ... [Show all](#)