



# How To Diagnose The Trouble - Toshiba RAS-B10SKVP-E Service Manual



1  
2  
3  
4  
5  
6  
7  
8  
9  
10  
11  
12  
13  
14  
15  
16  
17  
18

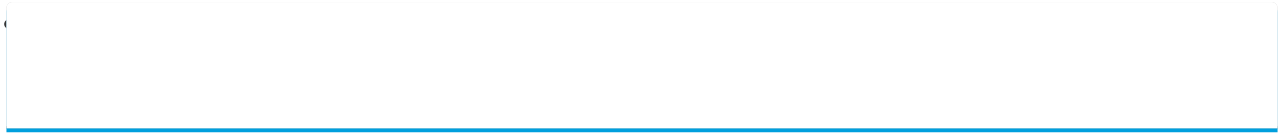
19  
20  
21  
22  
23  
24  
25  
26  
27  
28  
29  
30  
31  
32  
33  
34  
35  
36  
37  
38  
39  
40  
41  
42  
43  
44  
45  
46  
47  
48  
49  
50  
51  
52  
53  
54  
55  
56  
57  
58  
59  
60  
61  
62  
63  
64  
65  
66  
67  
68

69  
70  
71  
72  
73  
74  
75  
76  
77  
78  
79  
80  
81  
82  
83  
84  
85  
86  
87  
88  
89  
90  
91  
92  
93  
94  
95  
96  
97  
98  
99  
100  
101  
102  
103  
104  
105  
106  
107  
108  
109  
110  
111  
112  
113  
114  
115  
116  
117  
118

119

Table Of Contents

120



•

[Table of Contents](#)

- 

Troubleshooting



•

## Bookmarks





The pulse motor circuits are mounted to both indoor and outdoor units.  
 Therefore, diagnose troubles according to the trouble diagnosis procedure as described below.  
 (Refer to the check points in servicing written on the wiring diagrams attached to the indoor/outdoor units.)

**No.**  
**Troubleshooting Procedure**

## 11. HOW TO DIAGNOSE THE TROUBLE

1  
 First Confirmation **The pulse motor circuits are mounted to both indoor and outdoor units.**  
 2  
 Primary Judgment **Therefore, diagnose troubles according to the trouble diagnosis procedure as described below.**  
 3  
 Judgment by Flashing LED of Indoor Unit **(Refer to the check points in servicing written on the wiring diagrams attached to the**

**Table 11-1**

No.	Troubleshooting Procedure	Page	No.	Troubleshooting Procedure
1	First Confirmation	70	6	How to Check Simply
2	Primary Judgment	71	7	Troubleshooting

4  
 Self-Diagnosis by Remote Controller  
 5  
 Judgment of Trouble by Every Symptom

## u Precautions when handling the new inverter (3DV Inverter)

The high voltage circuit is incorporated.

Be careful to do the check service, as the electric shock may be caused in case of touching parts on the P.C. board by hand.

The new inverter (3DV inverter) will be incorporated starting with this unit.

u The control circuitry has an uninsulated construction.

Separated potential  
Shared potential  
More user manuals on

The pulse motor circuits are mounted to both indoor and outdoor units.  
Therefore, diagnose troubles according to the trouble diagnosis procedure as described in the manuals on the check points in servicing written on the wiring diagrams attached to the

## 11. HOW TO DIAGNOSE THE TROUBLE

### 11. HOW TO DIAGNOSE THE TROUBLE

Table 11-1

No.	Troubleshooting Procedure	Page
1	First Confirmation	70
2	Primary Judgment	71
3	Judgment by Flashing LED of Indoor Unit	71
4	Self-Diagnosis by Remote Controller	72
5	Judgment of Trouble by Every Symptom	75

No.	Troubleshooting
6	How to Check Simply
7	Troubleshooting
8	How to Diagnose Trou
9	How to Check Simply
10	How to Simply Judge Whether Fan Motor is Good or

**CAUTION: HIGH VOLTAGE**  
MCU  
MCU  
SAVP-E, SAVP-ND, GAVP-E, EAVP-E series (uninsulated type)  
ManualsBase.com  
**Table 11-1**  
**Page**  
**No.**

70  
6

How to Check Simply the Main Parts

71  
7

Troubleshooting

71  
8

How to Diagnose Trouble in Outdoor Unit  
P.C. board by hand.

72  
9

How to Check the new inverter parts

75  
10

How to Simply Judge Whether Outdoor  
Fan Motor is Good or Bad

Photocoupler

**JAVP-E series (insulated type)**

IGBT × 6

Driver

Amplifier

Driver

Amplifier

**Fig. 11-1**

- 68 -

**Troubleshooting Procedure**

(3DV: 3-shunt Discrete Vector control)

G-Tr

FET

(6IN1)

Photocoupler

FET × 6

## ◆ Precautions when handling the new inverter (3DV Inverter)

### ⚠ CAUTION: HIGH VOLTAGE

The high voltage circuit is incorporated.

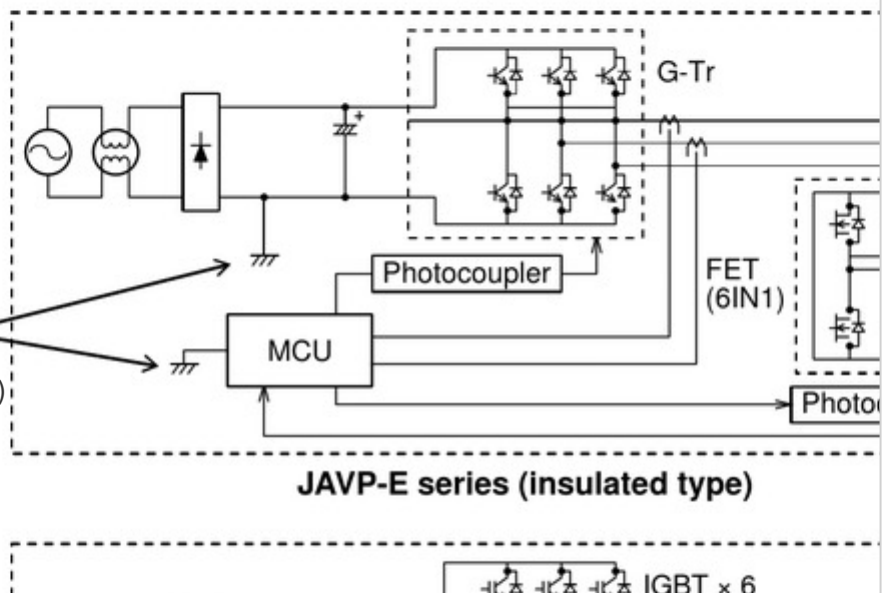
Be careful to do the check service, as the electric shock may be caused in case of touching parts on the P.C. board by hand.

The new inverter (3DV inverter) will be incorporated starting with this unit.

(3DV: 3-shunt Discrete Vector control)

## ◆ The control circuitry has an uninsulated construction.

Separated potential



**Page**

80

81

82

83

88

Compressor

Fan motor

Hall device

Compressor

Fan motor

## 11. HOW TO DIAGNOSE THE TROUBLE

The pulse motor circuits are mounted to both indoor and outdoor units.

Therefore, diagnose troubles according to the trouble diagnosis procedure as described.  
(Refer to the check points in servicing written on the wiring diagrams attached to the

[Table of Contents](#)

[Previous Page](#)

[Next Page](#)

1  
...  
65  
66  
67  
**68**  
69  
70  
71  
72

Quick Links:

[Service Manual](#)

[Specifications](#)

[Indoor Unit](#)

[Clean Operation](#)

[How to Diagnose the Trouble](#)

[How to Replace the Main Parts](#)

## Related Manuals for Toshiba RAS-B10SKVP-E

[Air Conditioner Toshiba RAS-B10SKVP-E Installation Manual](#)

(148 pages)

[Air Conditioner Toshiba RAS-4M23SAV-E Service Manual](#)

Split type (121 pages)

[Air Conditioner Toshiba RAS-B10SKVP-E Service Manual](#)

Split type air conditioner (119 pages)

[Air Conditioner Toshiba RAS-10SAVP-E Service Manual](#)



(119 pages)

[Air Conditioner Toshiba RAS-B10SKVP-E Service Manual](#)

Split type (117 pages)

[Air Conditioner Toshiba RAS-B10SKVP-E Service Manual](#)

(117 pages)

[Air Conditioner Toshiba RAS-B10SKVP-E Owner's Manual](#)

Split type air conditioner (91 pages)

[Air Conditioner Toshiba RAS-B10SKVP-E Owner's Manual](#)

Split type; for general public use (31 pages)

[Air Conditioner Toshiba RAS-B10SKVP-E Owner's Manual](#)

Split type (31 pages)

[Air Conditioner Toshiba RAS-B10SKVP-E Installation Manual](#)

(19 pages)

[Air Conditioner Toshiba RAS-B10SKVP-E Installation Manual](#)

Split type air conditioner (19 pages)

[Air Conditioner Toshiba RAS-16SKVP-ND Owner's Manual](#)

(230 pages)

[Air Conditioner Toshiba RAS-10SKVP-ND Installation Manual](#)

(132 pages)

[Air Conditioner Toshiba RAS-10SKVP-ND Owner's Manual](#)

(61 pages)

[Air Conditioner Toshiba RAS-B10S4KVP-G-E Installation Manual](#)

(24 pages)

[Air Conditioner Toshiba RAS-B13S4KVDG-E Service Manual](#)

(149 pages)

## Related Content for Toshiba RAS-B10SKVP-E

[RAS-25S4KVDG-ND How To Diagnose The Trouble](#)

Toshiba RAS-25S4KVDG-ND

[RAS-B22PKVSG-TR How To Diagnose The Trouble](#)

Toshiba RAS-B22PKVSG-TR

[RAS-25S4KVPG-ND How To Diagnose The Trouble](#)

Toshiba RAS-25S4KVPG-ND

[RAS-10S3AV-E How To Diagnose The Trouble](#)

Toshiba RAS-10S3AV-E

[RAS-M05G3KVSG-E How To Diagnose The Trouble](#)

Toshiba RAS-M05G3KVSG-E

[RAS-18S3KV-E How To Diagnose The Trouble](#)

Toshiba RAS-18S3KV-E

[RAS-M07G3DV-E How To Diagnose The Trouble](#)

Toshiba RAS-M07G3DV-E

[RAS-M07N4KVRG-E How To Diagnose The Trouble](#)

Toshiba RAS-M07N4KVRG-E

This manual is also suitable for:

[Ras-b13skvp-eRas-13savp-eRas-b16skvp-eRas-16savp-eRas-10skvp-ndRas-10savp-nd](#) ... [Show all](#)