

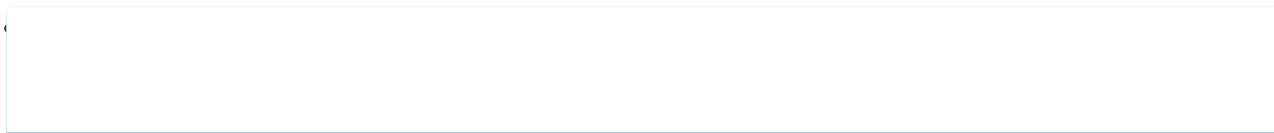
Piping And Drain Hose Installation - Toshiba RAS-18PKVSG-E Service Manual

1
2
3
4
5
6
7
8
9
10
11
12
13
14
15
16
17
18

19
20
21
22
23
24
25
26
27
28
29
30
31
32
33
34
35
36
37
38
39
40
41
42
43
44
45
46
47
48
49
50
51
52
53
54
55
56
57
58
59
60
61
62
63
64
65
66
67
68

69
70
71
72
73
74
75
76
77
78
79
80
81
82
83
84
85
86
87
88
89
90
91
92
93
94
95
96
97
98
99
100
101
102
103
104
105
106
107
108
109
110
111
112
113
114
115
116
117
118

119
120
121
122
123
124
125
126
127
128
129
130
131
132
133
134
135
136
137



•

[Table of Contents](#)

•

Bookmarks



< For remote controller >

1.

Remove cover of remote controller by sliding down and take it out.

If batteries are exist, please take them out. The combination of

using wire controller and batteries may cause of batteries

explosion.

explosion.

3. Make hole for insert control wire by use screwdriver break the

polyester sheet as shown on figure ④.

4. Insert control wire from rear side of remote controller as shown on

figure ⑤.

5. Fix control wire which arrange as shown on figure ⑥ and ⑦ to

terminal by provided screws (tighten firmly but not over 0.25 N·m

(0.03 kgf·m)).

6. Set control wire through gutter way at rear side of remote controller

terminal by provided screws (tighten firmly but not over 0.25 N·m

(0.03 kgf·m)).

- *Remark :**
1. Recommend connect rear
 2. For wire operation only 1 indoor
 3. In wire operation initial condition return to initial power supply

10-3-4. Piping and drainage

<Piping and Drain H

- * Since dewing resultsure to insulate boiler

(0.03 kgf·m)).

6.

Set control wire through gutter way at rear side of remote controller

as shown on figure 8.

7. Remove cover of remote controller by sliding down and take it out.

8. If batteries are exist, please take them out. The combination of

Fix provided screw (Ø3.1×16L) on the wall to hang remote

controller as shown on figure 9.

9. Make hole for insert control wire by use screwdriver break the

polyester sheet as shown on figure 5

10. Insert control wire from rear side of remote controller as shown on

figure 6.

11. Fix control wire when arrange as shown on figure 6 and 7 to

use provide screw (Ø3.1×25L) to fix battery cover together with

wall as shown on figure 10 (tighten firmly but not over 0.15

N·m (0.02 kgf·m)).

12. Set control wire through gutter way at rear side of remote controller

13. Reassembly cover of remote controller.

14. Fix provided screw (Ø3.1×16L) on the wall to hang remote

controller as shown on figure 9.

15. Mark and arrange hole for fix below screw (Ø3.1×25L) as

shown on figure 10 (tighten firmly but not over 0.15

N·m (0.02 kgf·m)).

16. Assembly battery cover which provided with accessory bag then

use provide screw (Ø3.1×25L) to fix battery cover together with

wall as shown on figure 10 (tighten firmly but not over 0.15

N·m (0.02 kgf·m)).

Fig. 10-3-8

5

6

30 mm

10 mm

* Wire size 28-22AWG

Control wire

or 0.08-0.32 mm

Outer diameter not over 4.7 mm,

control wire length 30 m. or less.

Control wire

Screw (Ø3.1×16L)

for hang remote

controller

Wall

Remote controller

Screw (Ø3.1×25L)

for fix battery cover

9

!

Screw

Tighten firmly but not over

0.15 N·m (0.02 kgf·m)

*Remark : 1. Recommend to use double insulation lead wire for

10-3-4. Piping and drain hose installation

<Piping and Drain Hose Forming>

* Since dewing results in a machine trouble, make

sure to insulate both the connecting pipes. (Use

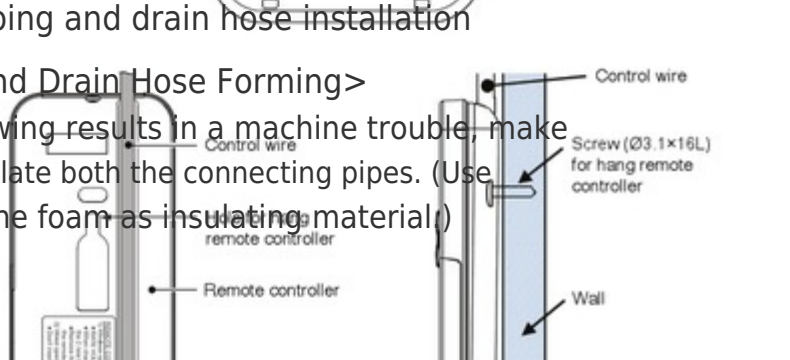
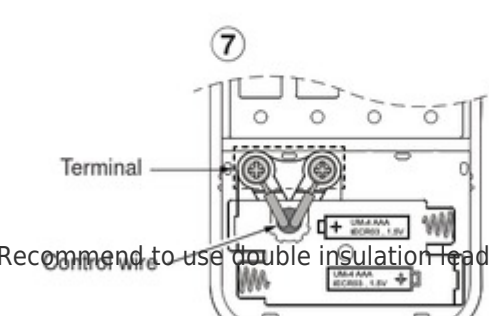
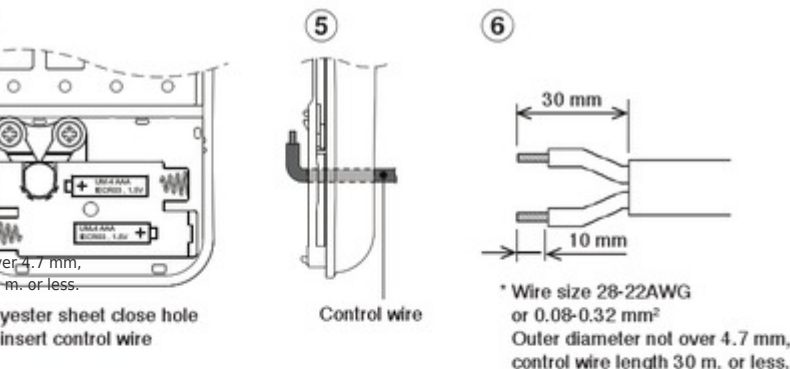
polyethylene foam as insulating material)

Rear right

Rear left

Bottom left

Left

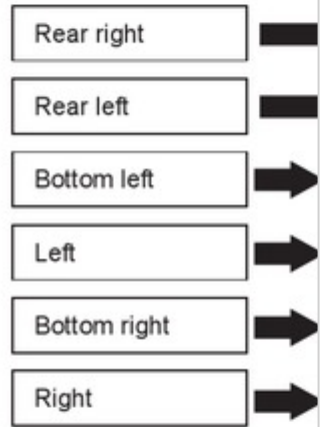


- *Remark :
1. Recommend connect rear
 2. For wire op only 1 indoc
 3. In wire oper initial condit return to init power supp

10-3-4. Piping and d

<Piping and Drain H

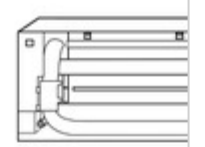
* Since dewing resu sure to insulate bo polyethylene foam



1. Die-cutting front Cut out the slit on the panel for the left or right bottom left or right side left or right connectio

2. Changing drain For leftward connect and rearleftward con change the drain hos

<How to remove the Clip the drain cap by



Bottom right

Right

1. Die-cutting front panel slit <For remote controller >

1. Remove cover of remote controller by sliding down and take it out.
 2. If batteries are exist, please take them out. The combination of using wire controller and batteries may cause of batteries explosion.
 3. Make hole for insert control wire by use screwdriver break the

2. Changing drain hose

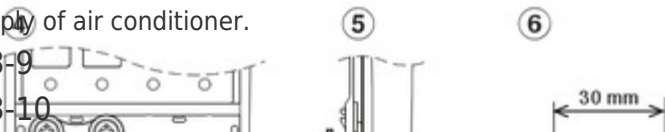
4. Insert control wire from rear side of remote controller as shown on figure ⑤.
 5. Fix control wire which arrange as shown on figure ⑥ and ⑦ to terminal by provided screws (tighten firmly but not over 0.25 N·m (0.03 kgf·m)).
 <How to remove the Drain Cap>

6. Drain cap by use the angle nipper and pull out it as shown on figure ⑧.
 7. Fix provided screw (Ø3.1×16L) on the wall to hang remote controller as shown on figure ⑨.

8. Mark and arrange hole for fix below screw (Ø3.1×25L) as shown on figure ⑩.
 9. Assembly battery cover which provided with accessory bag then use provide screw (Ø3.1×25L) to fix battery cover together with wall as shown on figure ⑩ (tighten firmly but not over 0.15 N·m (0.02 kgf·m)).

10. Reassembly cover of remote controller.
 3. In wire operation, remote control will return to initial condition (PRESET, TIMER and CLOCK will return to initial condition) when user shutdown power supply of air conditioner.

Fig. 10-3-9
 Fig. 10-3-10



- *Remark :
1. Recommend connect ren
 2. For wire op only 1 indoor
 3. In wire oper initial condit return to ini power supp

10-3-4. Piping and d

<Piping and Drain H

* Since dewing resu sure to insulate bo polyethylene foam

Rear right	■
Rear left	■
Bottom left	➡
Left	➡
Bottom right	➡
Right	➡

[Previous Page](#)
[Next Page](#)

1
...
61
62
63
64
65
66
67
68

Quick Links:

[Service Manual](#)

[Specifications](#)

[How to Diagnose the Trouble](#)

Chapters

[Service Manual 2](#)

[9-2. Operation Description 30](#)

Related Manuals for Toshiba RAS-18PKVSG-E

[Air Conditioner Toshiba RAS-18PAVSG-E Owner's Manual](#)

(168 pages)

[Air Conditioner Toshiba RAS-B22PKVSG-E Installation Manual](#)

(22 pages)

[Air Conditioner Toshiba RAS-24PAVSG-E Installation Manual](#)

(18 pages)

[Air Conditioner Toshiba RAS-24PKVSG-E Owner's Manual](#)

(7 pages)

[Air Conditioner Toshiba RAS-B22PKVSG-TR Service Manual](#)

(134 pages)

[Air Conditioner Toshiba RAS-22 Owner's Manual](#)

(7 pages)

[Air Conditioner Toshiba RAS-07PKVP-E Owner's Manual](#)

Split type for general public use (32 pages)

[Air Conditioner Toshiba RAS-07PKVP-E Service Manual](#)

Split type (114 pages)

[Air Conditioner Toshiba RAS-07PKVP-E Installation Manual](#)

Split type (26 pages)

[Air Conditioner Toshiba RAS-18PKSG-T Installation Manual](#)

(28 pages)

[Air Conditioner Toshiba RAS-18PKSG-T Owner's Manual](#)

(8 pages)

[Air Conditioner Toshiba RAS-18PACVG -T Owner's Manual](#)

Split type (8 pages)

[Air Conditioner Toshiba RAS-10 Owner's Manual](#)

18ufv series, 18sav series (19 pages)

[Air Conditioner Toshiba AS-24UKHP-ES3 Service Manual](#)

(82 pages)

[Air Conditioner Toshiba RAS-18BKS Series Installation Manual](#)

(20 pages)

[Air Conditioner Toshiba RAS-13BKV-E Service Manual](#)

Split type (106 pages)

Related Content for Toshiba RAS-18PKVSG-E

[MMK-UP0051DHPL-E\(TR\) Piping And Drain Hose Installation](#)

Toshiba MMK-UP0051DHPL-E(TR)

[RAS-B10J2KVRG-E Piping And Drain Hose Installation](#)

Toshiba RAS-B10J2KVRG-E

[RAS-25S4KVPD-ND Piping And Drain Hose Installation](#)

Toshiba RAS-25S4KVPD-ND

[RAS-B10N4KVRG-E1 Piping And Drain Hose Installation](#)

Toshiba RAS-B10N4KVRG-E1

[RAS-07G3KVSG-TR Piping And Drain Hose Installation](#)

Toshiba RAS-07G3KVSG-TR

[RAS-M18G3KVSG-TR Piping And Drain Hose Installation](#)

Toshiba RAS-M18G3KVSG-TR

[RAS-B16J2AVSG-E Piping And Drain Hose Installation](#)

Toshiba RAS-B16J2AVSG-E

[MMK-AP0054MHP1-E1 Piping And Drain Hose Installation](#)

Toshiba MMK-AP0054MHP1-E1

This manual is also suitable for:

[Ras-22pkvsg-eRas-24pavsg-eRas-24pkvsg-eRas-18pavsg-eRas-22pavsg-e](#)