



Sanyo FWSB405FS Setup Manual

1
2

• PAGE

OF 2 GO

•

[Table of Contents](#)

•

Bookmarks

Table of Contents

1 Connections

2 Bluetooth Setting

3 Remote Control

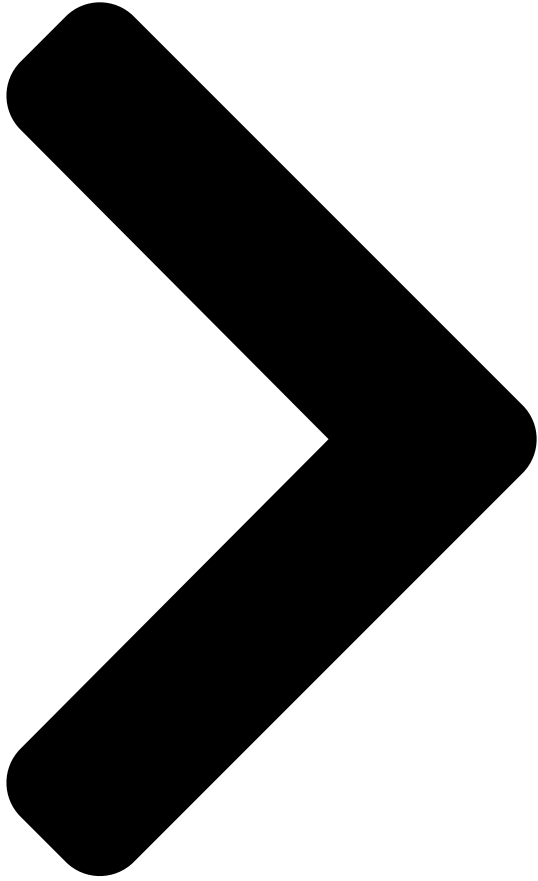
4 Troubleshooting

5 Safety Instructions

6 Specifications

[Download this manual](#)

[See also: Owner's Manual](#)



Soundbar

SETUP MANUAL

FWSB405FS

See the Online Owner's Manual for details:

sanyo-av.com

Step 1 Please visit website

sanyo-av.com

Step 2 Select Download.

Step 3 Type in the Model # "FWSB405FS", and click "Search".

Step 4 Select the Manual, and click on "Download".

SUPPLIED ACCESSORIES

• Remote Control (NC300UH)

• Setup Manual

• Line-in Cable

SANYO is a registered trademark of Sanyo Electric Co., Ltd. and Funai Corporation, Inc. in the U.S. and other countries. Any liability related to SANYO products, including design and quality, is the sole responsibility of Funai Electric Co., Ltd. and Funai Corporation, Inc. Please contact Funai Corporation, Inc. for any questions or claims related to SANYO products: sanyo-av.com

© 2013 Funai Electric Co., Ltd.

Printed in China

* 2 V M N 0 0 2 1 6 *

XHAD1UH *****

SANYO

REMOTE CONTROL



POWER



VOL +/-

MUTE

BASS K / L

TREBLE K / L

AUX

LINE

OPTICAL

Bluetooth

PAIR

PAIR

PAIR

PAIR

PAIR

PAIR

PAIR

PAIR

PAIR

PAIR

PAIR

PAIR

PAIR

PAIR

PAIR

PAIR

PAIR

PAIR

PAIR

PAIR

PAIR

PAIR

PAIR

PAIR

PAIR

PAIR

PAIR

PAIR

PAIR

PAIR

PAIR

PAIR

PAIR

PAIR

PAIR

PAIR

PAIR

PAIR

PAIR

PAIR

PAIR

PAIR

PAIR

PAIR

PAIR

PAIR

PAIR

PAIR

PAIR

PAIR

PAIR

PAIR

PAIR

PAIR

PAIR

PAIR

PAIR

PAIR

PAIR

PAIR

PAIR

PAIR

PAIR

CONNECTIONS

Connect to a TV

Line-in Cable

OPTICAL Cable

(not supplied)

AUDIO OUTPUT

HEADPHONE

OPTICAL OUTPUT

DIGITAL AUDIO OUT

(OPTICAL)

Plug the AC plug into an electrical outlet

Turn Soundbar on

Select the source Lights up when you switch to your connected source.

Press to Turn On the unit, or to switch the unit into Standby mode. (To completely Turn Off the unit, you must unplug the AC power cord.)

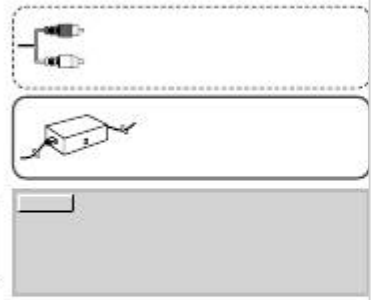
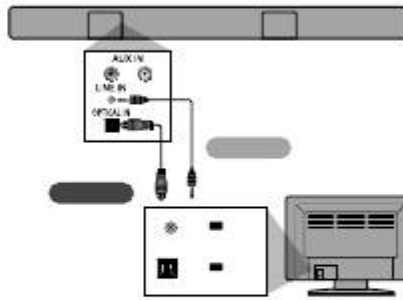
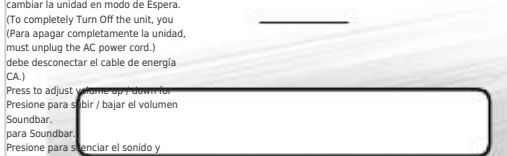
Press to adjust volume up / down for Soundbar.

Press to mute the sound and recover the sound.

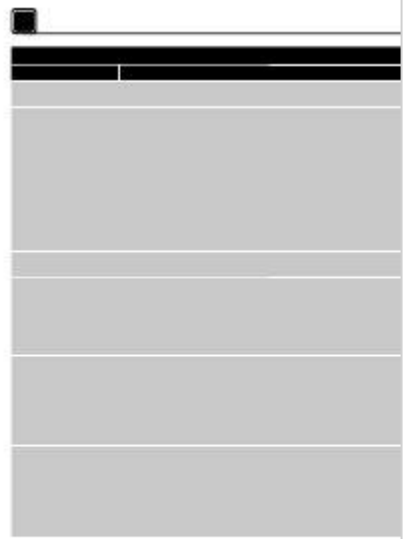
Press to adjust sounds of tone

Press to adjust lower-pitched sounds.

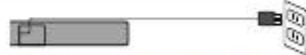
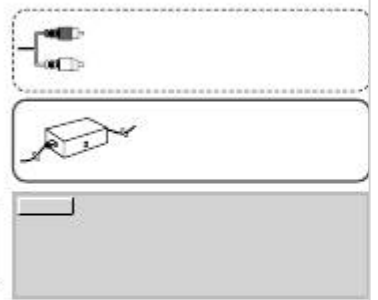
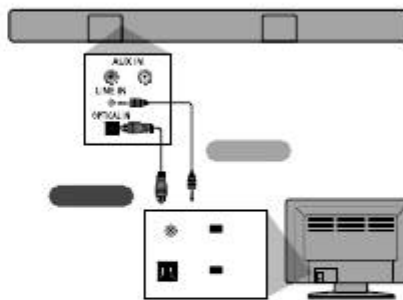
SANYO



ManualsLib.com



SANYO



ManualsLib.com

bajo.
Presione para ajustar sonidos de tono alto.

Press to select AUX of connected devices to this Soundbar.
Presione para seleccionar AUX de dispositivos conectados a este Soundbar.

Press to select Line of connected devices to this Soundbar.
Presione para seleccionar Línea de dispositivos conectados a este Soundbar.

Press to select Optical of connected devices to this Soundbar.
Presione para seleccionar Óptico de dispositivos conectados a este Soundbar.

Press to select Bluetooth of connected devices to this Soundbar.
Presione para seleccionar Bluetooth de los dispositivos conectados a este Soundbar.

Press to disconnect the currently connected Bluetooth device and start pairing mode to establish a new connection to another Bluetooth device.
Presione para desconectar el dispositivo Bluetooth conectado actualmente y comenzar el modo de conexión para establecer una nueva conexión a otro dispositivo Bluetooth. Si no se conecta dentro de 2 minutos, presione este botón para reiniciar el modo de conexión. El modo de conexión sólo puede iniciar cuando se selecciona Bluetooth.

If your TV does not have audio outputs shown left, to connect the Soundbar directly to your other devices (such as player, game system, etc.) see your device's manual for how to use a Coaxial (RCA) or Digital Audio Converter (not supplied) for your Soundbar which only has an optical input.

NOTE

• Make sure the unit is Turned Off when connecting.
• Check whether the connection for all cables is correct.

• If you connect with a Line-in cable, make sure the volume for the headphone output is appropriate for the Soundbar. If the Line-in volume is too soft, the Soundbar may output sounds with appropriate volume.

For Bluetooth connections, refer to "BLUETOOTH SETTING" or

TRUBLESHOOTING

• Unplug the outlet once, and wait for 15 seconds before plugging it in again.

• Make sure both the TV or other devices and the Soundbar are Turned On.

• Confirm the connections to the TV are made properly as shown in CONNECTIONS.

• Press the source button on your Soundbar remote control for the correct audio input.

• Confirm that the Soundbar is not muted. Press VOL +/- to unmute the sound. (See "Adjust the volume" on page 10.)

• For optical audio connection, select another audio signal on the connected external device. (This product supports LPCM.)

• Depending on the device and usage environment, chatter sound and distorted sound may be generated. To reduce such sounds, lower the volume.

• Adjust the sound settings of the connected device.

• Decrease the volume of the connected Bluetooth device.

• Check the battery level of the remote control, and make sure they are inserted properly in the correct symbols.

• Aim the remote at the center of this range.

• If the remote control does not work, the LED light of the Soundbar stay lit for over 10 seconds, there is a fault in the electrical system. Unplug the AC power cord and contact the service center.

• Confirm that Bluetooth is enabled on the external device. See An external device the Owner's Manual of the external device on how to enable Bluetooth.

• If reconnecting the Bluetooth device to the Soundbar fails, delete the registered profile of this Soundbar from the Bluetooth device, then perform pairing again.

• Assume both device is already connected to the Soundbar. Disconnect the connected device, then try again.

• The Bluetooth reception may be poor. Confirm that there is no obstacle between the Bluetooth device and the Soundbar. If this does not improve the sound quality, move the Bluetooth device closer to the Soundbar.

Or

Poor sound quality from the connected Bluetooth device.

If you do not find a solution above, please visit our website sanyo-av.com for the Online Owner's Manual. Please download it and then refer to "TROUBLESHOOTING" section for more information.

BLUETOOTH SETTING

Press on the remote control to switch the Soundbar to Bluetooth mode.

Turn On the Bluetooth compatible device.

On the Bluetooth compatible device, search for and select "SANYO FW5B405F" to pair (or register) your Soundbar with the Bluetooth compatible device.

• If a Passcode is requested, enter "0000."

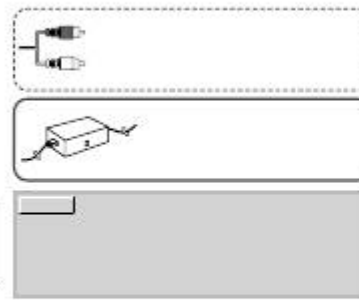
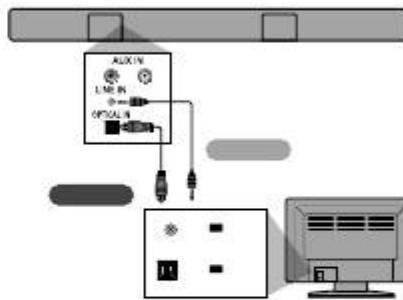
• If the Soundbar name does not appear on the Bluetooth compatible device, press on the remote control.

Play music on the connected Bluetooth compatible device.

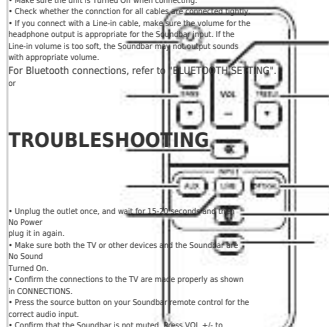
To exit Bluetooth mode, press one of the other audio input source buttons on the remote control.

If reconnecting the Bluetooth device to the Soundbar fails, delete the registered profile of this Soundbar from the Bluetooth device, then perform pairing again.

SANYO

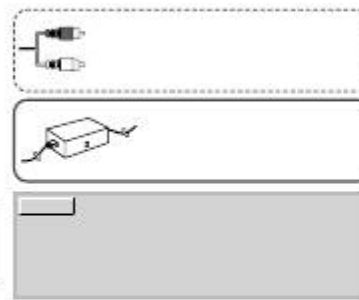
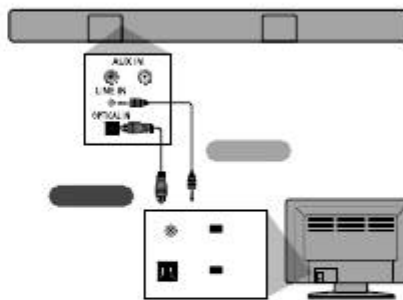


ManualsLib.com



Power		
Source		
Volume		
Mute		
Bluetooth		
AUX		
LINE		
OPTICAL		
PAIR		

SANYO



ManualsLib.com

This unit can store up to 4 device profiles.

WALL MOUNT THE SOUNDBAR

(OPTIONAL)

3.5" (89mm) x 0.54" (14mm) x 0.18" (4.6mm)
Weight: 2.2lb (1.0kg)

• Desconecte el tomacorriente una vez, y espere 15-20 segundos, y No hay energía para volver a conectar.

• Asegúrese que tanto la TV como otros dispositivos y Soundbar No hay sonido estén encendidos.

• Confirme que las conexiones a la TV estén realizadas correctamente como se muestra en CONEXIONES.

• Presione el botón de fuente en el control remoto de Soundbar para la entrada de audio correcta.

• Confirme que SoundBar no esté en silencio. Presione VOL +/- para quitar el silencio al sonido. (Vea "Ajuste de volumen" en la página 11)

• Para la conexión óptica de un dispositivo externo conectado.

• Dependiendo en el uso y el sonido de traqueteo o sonido distorsionado. Ajuste los ajustes de sonido del dispositivo conectado.

• Disminuya el volumen en el dispositivo Bluetooth conectado.

• Revise las baterías en el control remoto, y asegúrese que estén No hay reacción al insertadas adecuadamente por los símbolos + o -.

control remoto.

• Ajuste el remoto en el centro de esta unidad.

• Si el control remoto no funciona y todos los LED de Soundbar permanecen iluminados durante más de 30 segundos, existe una falla en el sistema eléctrico. Desconecte el cable de energía CA y póngase en contacto con el centro de servicio.

• Confirme que Bluetooth esté activado en el dispositivo externo. Vea el manual del propietario del dispositivo externo sobre cómo activar Bluetooth.

Un dispositivo externo no se puede conectar con Bluetooth.

• Si falla volver a conectar el dispositivo Bluetooth al Soundbar, borre el perfil registrado de este Soundbar del dispositivo Bluetooth, y de Bluetooth.

Después vuelva a realizar la conexión.

• Otro dispositivo Bluetooth ya está conectado al Soundbar. Desconecte el dispositivo conectado y después intente de nuevo.

• La recepción de Bluetooth puede ser deficiente. Confirme que no haya un obstáculo entre el dispositivo y el Soundbar.

• Mejora la calidad de Bluetooth y Soundbar.

• Calidad de sonido deficiente desde el dispositivo Bluetooth conectado.

•

•

•

•

•

•

•

•

•

•

•

•

•

•

•

•

•

•

•

•

•

•

•

•

•

•

•

•

•

•

•

•

•

•

•

•

•

•

•

•

•

•

•

•

•

•

•

•

•

•

•

•

•

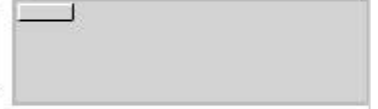
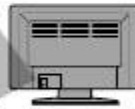
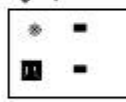
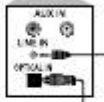
•

•

•

•

SANYO



ManualsLib.com



Please visit our website sanyo-av.com for the online Owner's Manual and contact form or call 1-866-212-0436.

Passcode: 0000

[Next Page](#)

1

2

Related Manuals for Sanyo FWSB405FS

[Speaker System Sanyo FWSB405FS Owner's Manual](#)

Soundbar with bluetooth wireless technology (16 pages)

[Speakers Sanyo FWSB426F Owner's Manual](#)

(24 pages)

[Speakers Sanyo FWSB426F Setup Manual](#)

(2 pages)

[Speakers Sanyo FWSB415E A Setup Manual](#)

(4 pages)

[Speakers Sanyo FWSB415E Owner's Manual](#)

(42 pages)

Summary of Contents for Sanyo FWSB405FS

[Page 1](#) Turn Soundbar on For Bluetooth connections, refer to “BLUETOOTH SETTING”. SANYO is a registered trademark of SANYO Electric Co., Ltd. and is used by Funai Electric Co., Ltd. and Funai Corporation, Inc. under license from SANYO Electric Co., Ltd. Any liability related to SANYO products, including design and quality, is the sole responsibility of Funai Electric Co., Ltd.

[Page 2](#) él. La caída de la unidad puede damages, or allow limitations on how long an implied warranty lasts, so the above For product recycling information, please visit - sanyo-av.com Reorient or relocate the receiving antenna.