



# Duct For Fresh Air - Sanyo CH2442 Installation Instructions Manual

Split system heat pump air conditioner



1

2

Table Of Contents

3

4

5

6

7

8

9

10

11

12

13

14

15

16

17

18  
19  
20  
21  
22  
23  
24  
25  
26  
27  
28  
29  
30  
31  
32  
33  
34  
35  
36  
37  
38  
39  
40  
41  
42  
43  
44  
45  
46  
47  
48  
49  
50  
51  
52  
53  
54  
55  
56  
57  
58  
59  
60  
61  
62  
63  
64  
65  
66  
67

68  
69  
70  
71  
72  
73  
74  
75  
76  
77  
78  
79  
80  
81  
82  
83  
84  
85  
86  
87  
88  
89  
90  
91  
92  
93  
94

---

•

[Table of Contents](#)

•

## Bookmarks







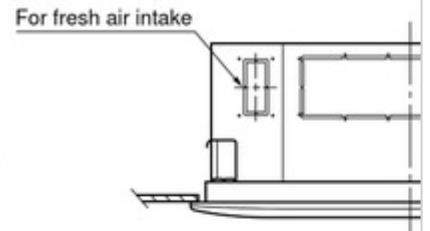
### 3-9. Duct for Fresh Air

There is a duct connection part on sideface of the indoor unit. (Fig. 3-16)

#### 3-9. Duct for Fresh Air

Optional air-intake plenum (including duct connection box and flange) can be attached to the indoor unit. (Fig. 3-16)

- There is a duct connection part on sideface of the indoor unit.
- Optional air-intake plenum (including duct connection box and flange) can be attached to the indoor unit.



NAME	Air-intake plenum	Type
CMB-GSJ140U	CMB-GSJ80U	PNR-XH2442 (XH1242, XH1842, XH2442)
CMB-GSJ140U	CMB-GSJ140U	PNR-XH3642 (XH3642, XH4242)

(1) Accessories

Check that the following parts are in the box when unpacking.

NAME

Cord with socket

(9P)

Screw

#### (1) Accessories

(M5  
L5 in.)  
Screw  
(M4  
L1/2 in.)

### 3-9. Duct for Fresh Air

There is a duct connection part on sideface of the indoor unit. (Fig. 3-16)

Optional air-intake plenum (including duct connection box and flange) can be attached to the indoor unit. Installation steps (a) to (e) are the same for both the CMB-GSJ80U and the GSJ140U. The drawing illustrates installation of air-intake plenum to the CMB-GSJ80U.

Air intake plenum	Type
CMB-GSJ80U	PNR-XH2442 (XH1242, XH1842, XH2442)
CMB-GSJ140U	PNR-XH3642 (XH3642, XH4242)

Set the air-intake plenum to the indoor unit taking care not to set the incorrect direction. (Fig. 3-17)  
Fasten the air-intake plenum with the accessory screws. (M5 × L5 in., 4pcs) (Fig. 3-17)

#### (1) Accessories

Check that the following parts are in the box when unpacking.

Fasten the duct connection flange to the duct connection box with the accessory screws.

(M4  
L1/2 in., 4pcs) (Fig. 3-18)

Put the duct connection box into the rectangular hole of the air-intake plenum and fasten it to the both sides of the indoor unit and plenum with the accessory screws. (M4 × L1/2 in.)

(c) Installing the indoor unit  
Install the indoor unit to the ceiling.

(Install the indoor unit according to items 3-1 to 3-16.)

CAUTION

#### (2) Installation

Installation steps (a) to (e) are the same for both the CMB-GSJ80U and the GSJ140U. The drawing illustrates installation of air-intake plenum to the CMB-GSJ80U.

Connecting line. Not necessary for

##### (a) Installing the air-intake plenum

Set the air-intake plenum to the indoor unit taking care not to set the incorrect direction. (Fig. 3-17)

Fasten the air-intake plenum with the accessory screws. (M5 × L5 in., 4pcs) (Fig. 3-17)

##### (b) Installing the duct connection box

Fasten the duct connection flange to the duct connection box with the accessory screws.

(M4 × L1/2 in., 4pcs) (Fig. 3-18)

Put the duct connection box into the rectangular hole of the air-intake plenum and fasten it to the both sides of the indoor unit and plenum with the

When installing both sides of the indoor unit and plenum with the

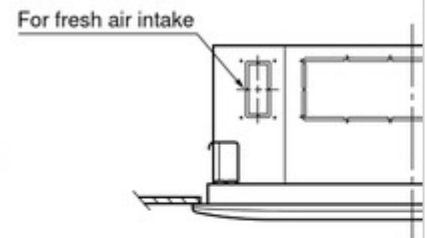


Fig. 3-

NAME	QTY	REMARKS
Cord with socket (9P)	1	Connecting line. Not necessary for intaking fresh air.
Screw (M5 × L5 in.)	4	Air-intake filter (for fastening)
Screw (M4 × L1/2 in.)	7	Duct connection flange/ box (for fastening)
Duct connection box	1	(for fresh air)
Duct connection flange	1	(for connecting fresh air duct)

Type

PNR-XH2442  
(XH1242, XH1842, XH2442)

PNR-XH3642  
(XH3642, XH4242)

QTY

Connecting line. Not necessary for

1

intaking fresh air

Air-intake filter

4

(for fastening)

Duct connection flange/ box

7

(for fastening)

1

(for fresh air)

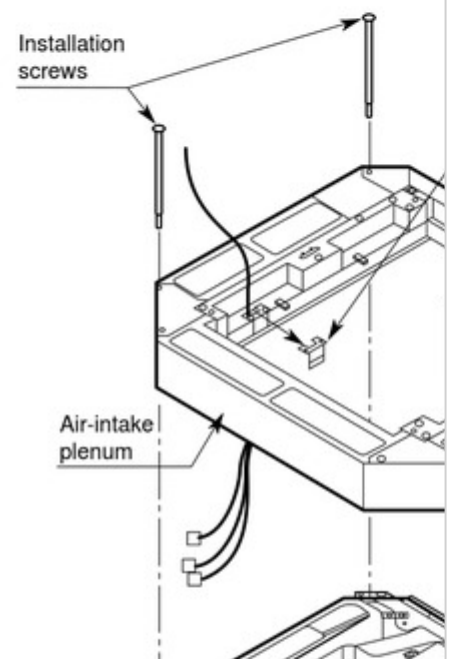
(for connecting fresh air duct)

1

L5 in., 4pcs) (Fig. 3-17)

L1/2 in., 3pcs) (Fig. 3-18)

When installing both sides of the indoor unit and plenum with the



existing location, install the indoor unit before installing the duct connection box.

For fresh air intake

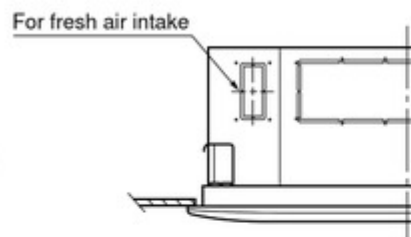
### 3-9. Duct for Fresh Air

#### REMARKS

Installation



- There is a duct connection part on sideface of the indoor unit. (Fig. 3-16)
- Optional air-intake plenum (including duct connection box and flange) can be attached to the indoor unit.



34359140  
2-5/32

Detail of fresh air intake

Fig. 3-16

Socket cover

Panel lead wire (8P)

Clamper

8P socket (red)

(electrical

component box)

8P socket (red)

(ceiling panel side)

Fig. 3-17

1974\_X\_S  
1975\_X\_S

Air-intake plenum	Type
CMB-GSJ80U	PNR-XH2442 (XH1242, XH1842, XH2442)
CMB-GSJ140U	PNR-XH3642 (XH3642, XH4242)

#### (1) Accessories

- Check that the following parts are in the box when unpacking.

Fig. 3-

NAME	QTY	REMARKS

[Table of Contents](#)

[Previous Page](#)  
[Next Page](#)

1  
...  
18  
19  
20  
21  
22  
23  
24  
25

Quick Links:

[Indoor Unit](#)

[How to Install the Wired Remote...](#)

## Related Manuals for Sanyo CH2442

[Air Conditioner Sanyo KH2442 / CH2442 Service Manual](#)

Split system air conditioner (202 pages)

[Air Conditioner Sanyo RCS-SH80UA Instruction Manual](#)

Split system air conditioner (64 pages)

[Heat Pump Sanyo XHWX2672R Specifications](#)

Ceiling recessed heat pump (2 pages)

[Air Conditioner Sanyo 42XW72R Submittal Data](#)



Ceiling recessed air conditioner (2 pages)  
[Air Conditioner Sanyo 26XW72R Specifications](#)

Ceiling recessed air conditioner (2 pages)  
[Heat Pump Sanyo 42XHW72R Specifications](#)

Ceiling recessed heat pump (2 pages)  
[Air Conditioner Sanyo XHW2672R Specifications](#)

Ceiling recessed air conditioner (2 pages)  
[Air Conditioner Sanyo XHW3672R Specifications](#)

Ceiling recessed air conditioner (2 pages)  
[Air Conditioner Sanyo XHW4272R Specifications](#)

Ceiling recessed air conditioner (2 pages)  
[Air Conditioner Sanyo XHS3632 Service Manual](#)

Split system air conditioner (106 pages)  
[Air Conditioner Sanyo 24KHS72 Submittal Data](#)

Split system indoor/outdoor wall mounted heat pump (2 pages)  
[Air Conditioner Sanyo 18KHS72 Specifications](#)

Wall mounted air conditioners & heat pumps 9,000-24,000 btu/h 16-20 seer (2 pages)  
[Air Conditioner Sanyo CH1872 Technical & Service Manual](#)

Dc inverter split system air conditioner (111 pages)  
[Air Conditioner Sanyo KHS2422 Service Manual](#)

Split system air conditioner (44 pages)  
[Air Conditioner Sanyo C4272R S/C Installation Instructions Manual](#)

Sanyo split system heat pump air conditioner installation instructions (111 pages)  
[Air Conditioner Sanyo C4272R Service Manual](#)

Sanyo split system air conditioner service manual (181 pages)

## Related Content for Sanyo CH2442

[Mini ECO-i 85464359981002 Duct For Fresh Air](#)

Sanyo Mini ECO-i 85464359981002

[PW-UMR184EXH56 Duct For Fresh Air](#)

Sanyo PW-UMR184EXH56

[PNR-XS2432 Duct For Fresh Air](#)

Sanyo PNR-XS2432

[C4272R S/C Duct For Fresh Air](#)

Sanyo C4272R S/C

[85464359982001 Duct For Fresh Air](#)

Sanyo 85464359982001

[SPW-C256VH Intaking Fresh Air Of Semi-Concealed Type And Concealed-Duct Type](#)

Sanyo SPW-C256VH

[SPW-C0705DZH8 Intaking Fresh Air Of Semi-Concealed Type And Concealed-Duct Type](#)

Sanyo SPW-C0705DZH8

[SPW-CR365GXH56 Flange For Air Intake Duct \(Field Supply\) For](#)

[Concealed Duct Type](#)

Sanyo SPW-CR365GXH56

This manual is also suitable for:

[Th2442Ch3642Kh2442Th3642Kh3642Th4242](#) ... [Show all](#)