

Duct For Fresh Air; Installing The Drain Piping - Sanyo CH2442 Installation Instructions Manual

Split system heat pump air conditioner

1

2

Table Of Contents

3

4

5

6

7

8

9

10

11

12

13

14

15

16

17

18
19
20
21
22
23
24
25
26
27
28
29
30
31
32
33
34
35
36
37
38
39
40
41
42
43
44
45
46
47
48
49
50
51
52
53
54
55
56
57
58
59
60
61
62
63
64
65
66
67

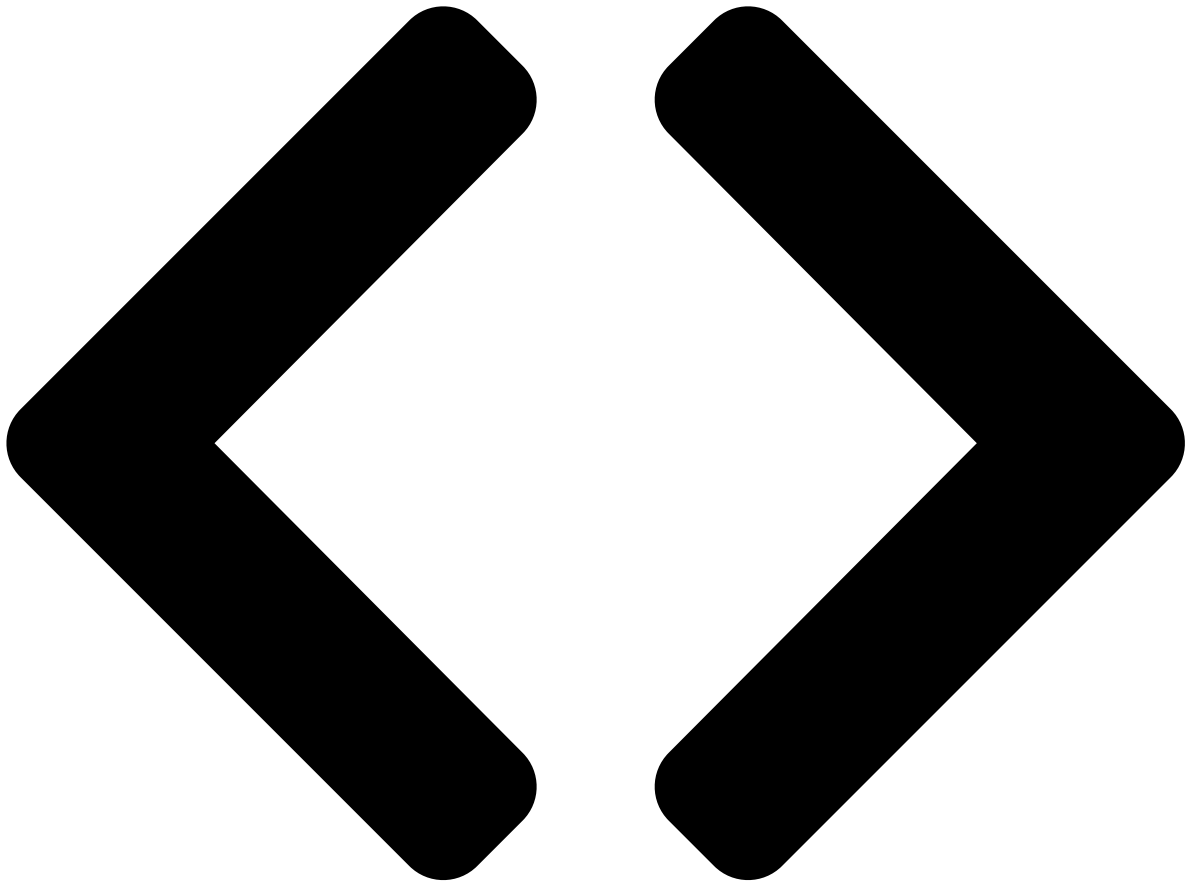
68
69
70
71
72
73
74
75
76
77
78
79
80
81
82
83
84
85
86
87
88
89
90
91
92
93
94

•

[Table of Contents](#)

•

Bookmarks



Enlarged version

3-20. Duct for Fresh Air

There is a duct connection port (knock-out hole) at the right-rear on the Panel Top of the indoor unit for drawing in fresh air. If it is necessary to draw in fresh air, remove the cover by knocking out and connect the duct to the indoor unit through the connection port.

(Fig. 3-68)

If connection at the right-rear on the Panel Top is not appropriate, another duct connection port can be made by cutting an opening on the left side of the Rear Panel of the indoor unit as shown in Fig. 3-69.

3-21. Installing the Drain Piping

T

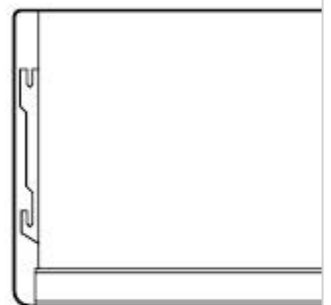


Fig. 3-68

Prepare a standard PVC pipe for the drain and connect it to the indoor unit drain pipe with the supplied hose clamps to prevent water leaks. Connect the drain piping so that it slopes downward from the unit to the outside. (Fig. 3-70)

Never allow traps to occur in the course of the piping.

Insulate any piping inside the room to prevent dripping.

Use the supplied drain pipe to connect the drain pipe with the drain outlet of the indoor unit.

After connecting the drain pipe securely, wrap the supplied drain pipe insulator around the pipe, seal the gap at the drain socket with the supplied black insulation tape, then secure it with clamps.

(Fig. 3-71)

After completing the drain piping, pour water into the drain pan to check that the water drains smoothly.

CAUTION

Check local electrical codes and regulations before obtaining wire. Also, check any specified instruction or limitations.

Fig. 3-68

Right side

Fig. 3-69

Fig. 3-70

Packing

Drain hose

(supplied)

(supplied)

Fig. 3-71

34

S4359146

Duct connection port

(Knock-out hole)

Panel Top

1017_M_1

2442

3642, 4242

A

3-15/16"

7-3/32"

B

1-3/8"

1-31/32"

Rear side

Cut this portion

A

4-11/32"

B

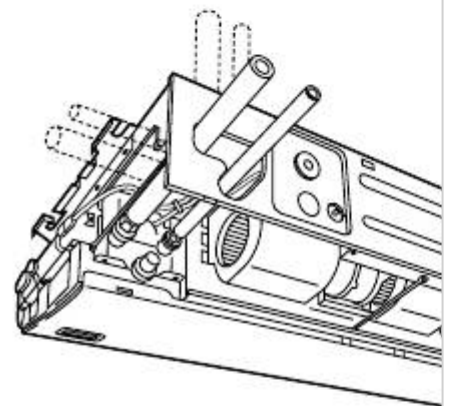
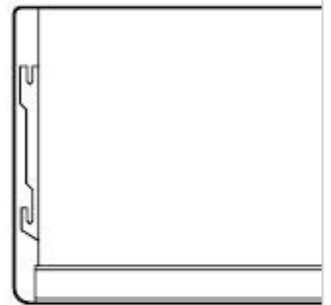
3-15/16"

Min. 1/100

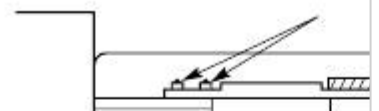
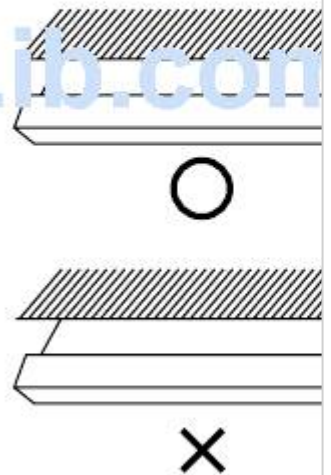
Good

Not good

0961_T_1



ManualsLib.com



Drain pipe
Hard PVC pipe
clamp
(not supplied)
(supplied)
Drain hose
adapter
(supplied)
1119_X_1



Table of Contents

[Previous Page](#)
[Next Page](#)

1
...
32
33
34
35
36
37
38
39

Quick Links:

[Indoor Unit](#)

[How to Install the Wired Remote...](#)

Related Manuals for Sanyo CH2442

[Air Conditioner Sanyo KH2442 / CH2442 Service Manual](#)

Split system air conditioner (202 pages)

[Air Conditioner Sanyo RCS-SH80UA Instruction Manual](#)

Split system air conditioner (64 pages)

[Heat Pump Sanyo XHWX2672R Specifications](#)

Ceiling recessed heat pump (2 pages)

[Air Conditioner Sanyo 42XW72R Submittal Data](#)

Ceiling recessed air conditioner (2 pages)

[Air Conditioner Sanyo 26XW72R Specifications](#)

Ceiling recessed air conditioner (2 pages)

[Heat Pump Sanyo 42XHW72R Specifications](#)

Ceiling recessed heat pump (2 pages)

[Air Conditioner Sanyo XHW2672R Specifications](#)

Ceiling recessed air conditioner (2 pages)

[Air Conditioner Sanyo XHW3672R Specifications](#)

Ceiling recessed air conditioner (2 pages)

[Air Conditioner Sanyo XHW4272R Specifications](#)

Ceiling recessed air conditioner (2 pages)

[Air Conditioner Sanyo XHS3632 Service Manual](#)

Split system air conditioner (106 pages)

[Air Conditioner Sanyo 24KHS72 Submittal Data](#)

Split system indoor/outdoor wall mounted heat pump (2 pages)

[Air Conditioner Sanyo 18KHS72 Specifications](#)

Wall mounted air conditioners & heat pumps 9,000-24,000 btu/h 16-20 seer (2 pages)

[Air Conditioner Sanyo CH1872 Technical & Service Manual](#)

Dc inverter split system air conditioner (111 pages)

[Air Conditioner Sanyo KHS2422 Service Manual](#)

Split system air conditioner (44 pages)

[Air Conditioner Sanyo C4272R S/C Installation Instructions Manual](#)

Sanyo split system heat pump air conditioner installation instructions (111 pages)

[Air Conditioner Sanyo C4272R Service Manual](#)

Sanyo split system air conditioner service manual (181 pages)

Related Content for Sanyo CH2442

[Mini ECO-i 85464359981002 Duct For Fresh Air](#)

Sanyo Mini ECO-i 85464359981002

[PW-UMR184EXH56 Duct For Fresh Air](#)

Sanyo PW-UMR184EXH56

[PNR-XS2432 Duct For Fresh Air](#)

Sanyo PNR-XS2432

[C4272R S/C Duct For Fresh Air](#)

Sanyo C4272R S/C

[85464359982001 Duct For Fresh Air](#)

Sanyo 85464359982001

[SPW-C256VH Intaking Fresh Air Of Semi-Concealed Type And Concealed-Duct Type](#)

Sanyo SPW-C256VH

[SPW-C0705DZH8 Intaking Fresh Air Of Semi-Concealed Type And Concealed-Duct Type](#)

Sanyo SPW-C0705DZH8

[SPW-CR365GXH56 Flange For Air Intake Duct \(Field Supply\) For](#)

[Concealed Duct Type](#)

Sanyo SPW-CR365GXH56

This manual is also suitable for:

[Th2442Ch3642Kh2442Th3642Kh3642Th4242](#) ... [Show all](#)