



# How To Install The Outdoor Unit; Removing The Protective Spacer For Transportation; Installing The Outdoor Unit; Tubing Direction - Sanyo CH2442 Installation Instructions Manual

Split system heat pump air conditioner



1

2

Table Of Contents

3

4

5

6

7

8

9

10

11

12

13

14

15

16

17

18  
19  
20  
21  
22  
23  
24  
25  
26  
27  
28  
29  
30  
31  
32  
33  
34  
35  
36  
37  
38  
39  
40  
41  
42  
43  
44  
45  
46  
47  
48  
49  
50  
51  
52  
53  
54  
55  
56  
57  
58  
59  
60  
61  
62  
63  
64  
65  
66  
67

68  
69  
70  
71  
72  
73  
74  
75  
76  
77  
78  
79  
80  
81  
82  
83  
84  
85  
86  
87  
88  
89  
90  
91  
92  
93  
94

---

•

[Table of Contents](#)

•

## Bookmarks







## 4. HOW TO INSTALL THE OUTDOOR UNIT

### 4-1. Removing the Protective Spacer for Transportation

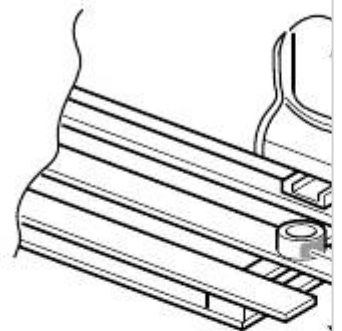
Remove the packing skid from the bottom of unit and then remove the plastic spacer used to secure the compressor during transportation. (Fig. 4-1)

Place the unit on a level concrete pad, block or equal and anchor.

Refer to Section 2. "Selecting the Installation Site".

### 4-2. Installing the Outdoor Unit

(1) Install blocks or a solid platform under the outdoor unit which provides a minimum height of



6 in. from ground level. (Fig. 4-2)

(2) The outdoor unit must be bolted down tightly to the blocks or platform with 4 anchor bolts.

### 4-3. Tubing Direction

Tubing can be extended in 4 different directions as shown in Fig. 4-3.

Service valves are housed inside the unit. To access them, remove the access panel by removing the 3 attaching screws, then slide the panel downward and pull it toward you.

If either rear, right or front tubing is needed, punch out the knockout holes with a hammer or similar tool.

After punching out the knockout holes, mount plastic protectors on the tubing outlets. These accessories are packed inside the unit and can be accessed through the access panel.

Use tube benders to extend refrigerant tubing to the outside.

Inter-unit wiring outlets

Access panel

Front

Tubing outlets

### Fig. 4-3

Rear

Power Supply wiring outlets

Right

Power supply line

Control wiring

Down outlets

Packing skid

6-11/16

Height

Min: 6 in.

Connector Size

Power Supply

1/2"

Inter-unit power line

Inter-unit control line

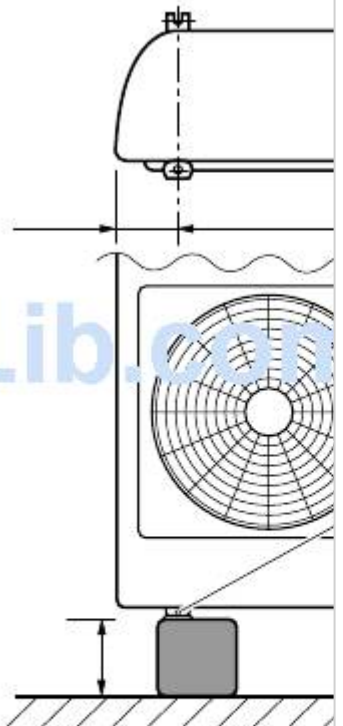
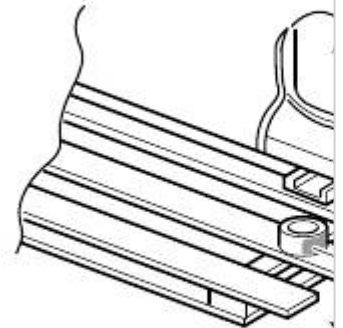
1102\_C\_1

40

S4359146

Compressor

Plastic spacer



ManualsLib.com



0496\_C\_1

**Fig. 4-1**

26

4-21/64

Anchor

bolts

(not supplied)

Unit: inch

1168\_C\_1

**Fig. 4-2**

Inter-unit Power Line

1/2"



[Table of Contents](#)

[Previous Page](#)

[Next Page](#)

1  
...  
38  
39  
40  
41  
42  
43  
44  
45

Quick Links:

[Indoor Unit](#)

[How to Install the Wired Remote...](#)

## Related Manuals for Sanyo CH2442

[Air Conditioner Sanyo KH2442 / CH2442 Service Manual](#)

Split system air conditioner (202 pages)

[Air Conditioner Sanyo RCS-SH80UA Instruction Manual](#)

Split system air conditioner (64 pages)

[Heat Pump Sanyo XHWX2672R Specifications](#)

Ceiling recessed heat pump (2 pages)

[Air Conditioner Sanyo 42XW72R Submittal Data](#)

Ceiling recessed air conditioner (2 pages)

[Air Conditioner Sanyo 26XW72R Specifications](#)

Ceiling recessed air conditioner (2 pages)

[Heat Pump Sanyo 42XHW72R Specifications](#)

Ceiling recessed heat pump (2 pages)

[Air Conditioner Sanyo XHW2672R Specifications](#)

Ceiling recessed air conditioner (2 pages)

[Air Conditioner Sanyo XHW3672R Specifications](#)

Ceiling recessed air conditioner (2 pages)

[Air Conditioner Sanyo XHW4272R Specifications](#)

Ceiling recessed air conditioner (2 pages)

[Air Conditioner Sanyo XHS3632 Service Manual](#)

Split system air conditioner (106 pages)

[Air Conditioner Sanyo 24KHS72 Submittal Data](#)

Split system indoor/outdoor wall mounted heat pump (2 pages)

[Air Conditioner Sanyo 18KHS72 Specifications](#)

Wall mounted air conditioners & heat pumps 9,000-24,000 btu/h 16-20 seer (2 pages)

[Air Conditioner Sanyo CH1872 Technical & Service Manual](#)

Dc inverter split system air conditioner (111 pages)

[Air Conditioner Sanyo KHS2422 Service Manual](#)

Split system air conditioner (44 pages)

[Air Conditioner Sanyo C4272R S/C Installation Instructions Manual](#)

Sanyo split system heat pump air conditioner installation instructions (111 pages)

[Air Conditioner Sanyo C4272R Service Manual](#)

Sanyo split system air conditioner service manual (181 pages)

## Related Content for Sanyo CH2442

[SPW-X483GH56 How To Install The Outdoor Unit](#)

Sanyo SPW-X483GH56

[26 series How To Install The Outdoor Unit](#)

Sanyo 26 series

[COOL How To Install The Outdoor Unit](#)

Sanyo COOL

[R410A How To Install The Outdoor Unit](#)

Sanyo R410A

[KS3082 How To Install The Outdoor Unit](#)

Sanyo KS3082

[COOL How To Install The Outdoor Unit](#)

Sanyo COOL

[SAP-K18AM Install Outdoor Unit](#)

Sanyo SAP-K18AM

[XHS1271 How To Install The Outdoor Unit](#)

Sanyo XHS1271



This manual is also suitable for:

Th2442Ch3642Kh2442Th3642Kh3642Th4242 ... [Show all](#)