



Sanyo CRWFIZSX Technical Tips

Sanyo home security system user manual

1

--

•

Bookmarks

[Download this manual](#)

Quick Links

SANYO

Useful Information & Advice from SANYO SECURITY PRODUCTS

Remote control of Pan Tilt Zoom cameras with SANYO product.

Control of PTZ cameras over the Internet is a feature often requested by customers. Although our current camera line up does not include a Pan Tilt Zoom camera, we do have PTZ



support built into our MPX-CD93 and 163 Multiplexers.

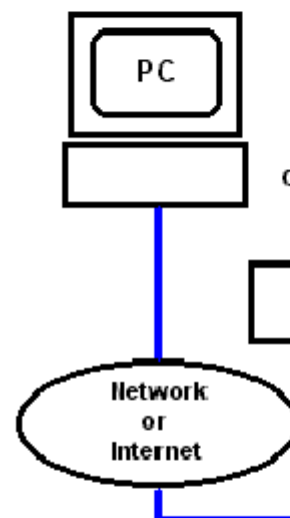
This control is for the PELCO brand DD5 series dome drive cameras or compatible models. These Multiplexers are controllable remotely via SSP connection to our VSP-SV2000 web server. To accomplish this, make the RS485 connections, and set up the SSP addresses in the Multiplexer and Web server menus, (See Ted tips Volume 3, Issue 2).

The connections and addressing are made in the same way as described for the DSRs. Connect the camera coaxial connections to the channel inputs on the Multiplexer. Set up the cameras in the Multiplexer menus. From the #7 Control Set menu select camera control. Change option to other, then select next. Set each channel with a connected PTZ camera to on, channels without PTZ to off.

It is also possible to include a VSP-8000 controller for local control in the same system. Any commands from the VSP-8000 will take precedence over the VSP-SV2000. Network control of the PTZ cameras can be accomplished once the web server has been configured with a valid IP address for the network or ISP to which it will be connected. Any workstation that needs access to the webserver will need JPEG 2000 plug-in installed to view video over the network. PTZ control is operated through the in-browser keyboard, (see page 45 in VSP-SV2000 manual.) Use your browser to log into the web server. Click on the channel connecting the Multiplexer to the webserver to select the single screen view. From the Multiplexer controls in your browser, select the channel you wish to control when that channel is displayed use the MPX control to select the individual camera you wish to control. Use the KEY pull down menu and select CAM. Use the CAM controls for PTZ functions. To change cameras select MPX from the KEY pull down menu, select the next camera channel you wish to view, then select CAM from the KEY menu.

I
T
I
N S I D E
H I S
S U E

- Remote control of PTZ with SANYO products
- Compatible hardware list for DSR-30xx revised



ManualsLib.com

e

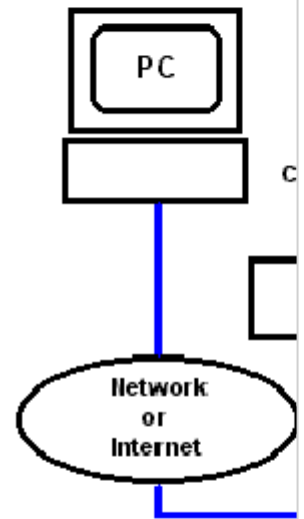


ManualsLib.com



SANYO

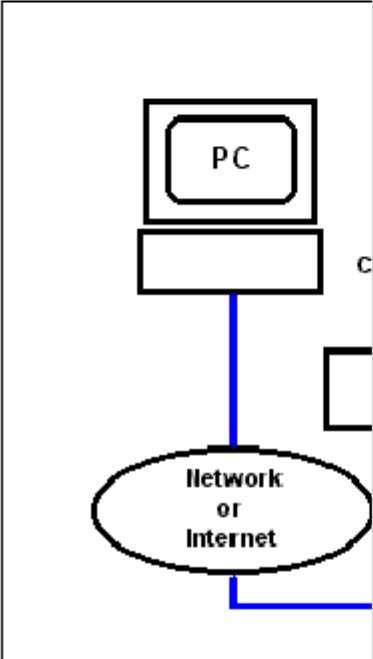
Network Adapters for the DSR
BELKIN, F5D5020, 10/100BASE-T
LINKSYS, EC2T, 10BASE-T/2
BROMAX, IPort BIN100-AF, 10/100BASE-T
NETGEAR, FA411, SANYO no longer recommends use of
This model network card due to compatibility issues
SCSI Adapter for the DSR-30xx
DAT drives for the DSR-30xx
Hewlett-Packard, SuperStore 24e
CDR drives for DSR-3009 & DSR-3016
These last two may still be available from some dealers,
however Yamaha has discontinued these models.



i
p
S



www.belkin.com
www.linksys.com
www.bromax.com
Adaptec, SlimSCSI 1460
www.adaptec.com
www.hp.com
Sony, SDT-9000
www.sony.com
Yamaha, CD-R
www.yamaha.com
Models: CRWF1ZSX,
CRW2200SXZ, CRW3200SXZ.



This manual is also suitable for:

Crwf1zsxCrw2200sxzCrw3200sxz