



# Dk8 Key Service Unit Power Failure Transfer (Pft) Circuit Diagram - Toshiba Strata DK 16 Installation And Maintenance Manual

Toshiba digital key telephone systems installation and maintenance manual



1  
2  
3  
4  
5  
6  
7  
8  
9  
10  
11  
12  
13  
14  
15  
16  
17  
18

19  
20  
21  
22  
23  
24  
25  
26  
27  
28  
29  
30  
31  
32  
33  
34  
35  
36  
37  
38  
39  
40  
41  
42  
43  
44  
45  
46  
47  
48  
49  
50  
51  
52  
53  
54  
55  
56  
57  
58  
59  
60  
61  
62  
63  
64  
65  
66  
67  
68

69  
70  
71  
72  
73  
74  
75  
76  
77  
78  
79  
80  
81  
82  
83  
84  
85  
86  
87  
88  
89  
90  
91  
92  
93  
94  
95  
96  
97  
98  
99  
100  
101  
102  
103  
104  
105  
106  
107  
108  
109  
110  
111  
112  
113  
114  
115  
116  
117  
118

119  
120  
121  
122  
123  
124  
125  
126  
127  
128  
129  
130  
131  
132  
133  
134  
135  
136  
137  
138  
139  
140  
141  
142  
143  
144  
145  
146  
147  
148  
149  
150  
151  
152  
153  
154  
155  
156  
157  
158  
159  
160  
161  
162  
163  
164  
165  
166  
167  
168

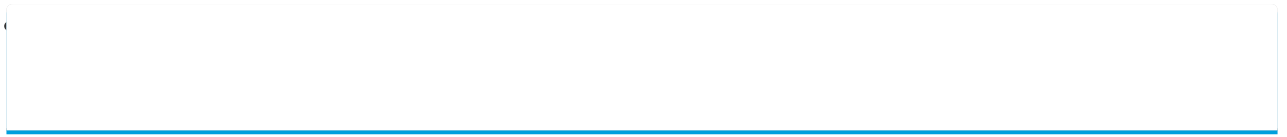
169  
170  
171  
172  
173  
174  
175  
176  
177  
178  
179  
180  
181  
182  
183  
184  
185  
186  
187  
188  
189  
190  
191  
192  
193  
194  
195  
196  
197  
198  
199  
200  
201  
202  
203  
204  
205  
206  
207  
208  
209  
210  
211  
212  
213  
214  
215  
216  
217  
218



219  
220  
221  
222  
223  
224  
225  
226  
227  
228  
229  
230  
231  
232  
233  
234  
235  
236  
237  
238  
239  
240  
241  
242  
243  
244  
245  
246  
247  
248  
249  
250  
251  
252  
253  
254  
255  
256  
257  
258  
259  
260  
261  
262  
263  
264  
265  
266  
267  
268

269  
270  
271  
272  
273  
274  
275  
276  
277  
278  
279  
280  
281  
282  
283  
284  
285  
286  
287  
288  
289  
290  
291  
292  
293  
294  
295  
296  
297  
298  
299  
300  
301  
302  
303  
304  
305  
306  
307  
308  
309  
310  
311  
312  
313  
314  
315  
316  
317  
318

319  
320  
321



•

[Table of Contents](#)

•

## Bookmarks





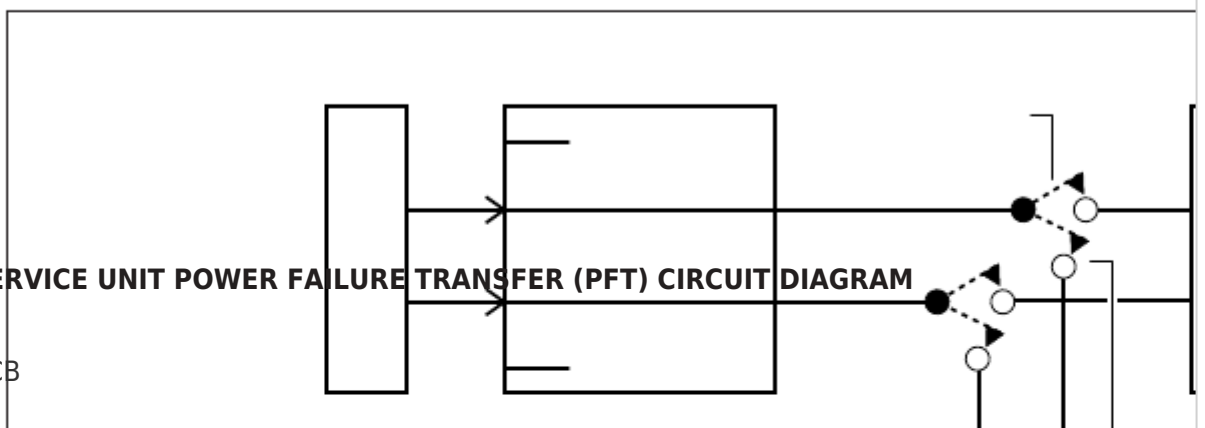
**INSTALLATION-DK8 KSU & PCB**  
**SECTION 100-816-204**  
**MARCH 1993**

MDF  
CO  
LINE  
MDF  
PFT  
STANDARD  
TELEPHONE

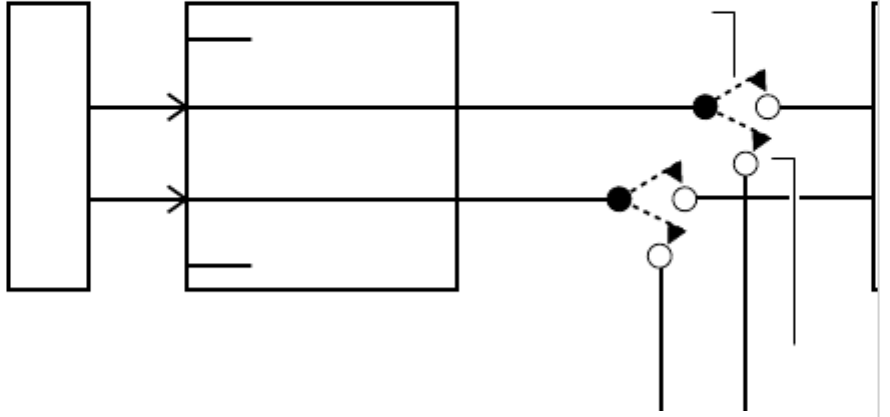
**FIGURE 4-6**

**DK8 KEY SERVICE UNIT POWER FAILURE TRANSFER (PFT) CIRCUIT DIAGRAM**

DK8 OR DK16  
KSU MAIN PCB



T  
3  
R  
4  
5  
MOD JACK CO1  
(KSU)  
R  
T  
MOD JACK PF1  
(BASE UNIT)  
**4-8**  
POWER AVAILABLE  
CONNECTION  
POWER FAIL  
CONNECTION  
KCOU  
CO LINE 1



[Table of Contents](#)



[Previous Page](#)  
[Next Page](#)

1  
...  
51  
52  
53  
54  
55  
56  
57  
58

Quick Links:

[Programming](#)

[Dk16 Co Line/Station Configuration Guide \(Base...](#)

## Chapters

[Section 1](#) 6

[Section 2](#) 14

[Table of Contents](#) 21

[Table of Contents](#) 45

[Table of Contents](#) 67

[Table of Contents](#) 109

[Table of Contents](#) 132

[Table of Contents](#) 193

## Related Manuals for Toshiba Strata DK 16

### [Telephone System Toshiba Strata DK8 Installation And Maintenance Manual](#)

Digital key telephone systems (609 pages)

### [Telephone Toshiba strata DK8 Installation Instructions Manual](#)

(584 pages)

### [IP Phone Toshiba Strata DK 2000-series User Manual](#)

Toshiba digital telephone user guide (164 pages)

### [IP Phone Toshiba DK User Manual](#)

Includes lcd, add-on module, and direct station selection console (163 pages)

### [IP Phone Toshiba CT User Manual](#)

Includes lcd, add-on module, and direct station selection console (136 pages)

### [Telephone Toshiba Strata DK User Manual](#)

Electronic telephone (134 pages)

### [Handsets Toshiba Strata AirLink Integrated Wireless Handset User Manual](#)

Toshiba integrated wireless handset user guide (131 pages)

### [Cordless Telephone Toshiba Strata DK User Manual](#)

Cordless digital telephone (107 pages)

### [Telephone Toshiba Strata DK8 User Manual](#)

Digital telephone (90 pages)

### [Telephone Toshiba Strata DK System Administration Manual](#)

(60 pages)

### [IP Phone Toshiba Strata DK User Manual](#)

Digital single line telephone (60 pages)

### [Telephone System Toshiba Strata DK14 System Administrator Manual](#)

Strata dk digital business telephone systems (56 pages)

### [Telephone Toshiba Strata DK8 User Manual](#)

Dk digital lcd telephone (48 pages)

### [Telephone System Toshiba Strata DK8 General Description Manual](#)

Digital key telephone system (46 pages)

### [Telephone Toshiba Strata DK16 User Manual](#)

Add-on module and direct station selection console (18 pages)

### [Telephone Toshiba Strata DK8 Quick Reference Manual](#)

Business telephone (9 pages)

## Related Content for Toshiba Strata DK 16

### [Strata DK40 Led 17: "Trns" Soft Key Immediate Transfer](#)

Toshiba Strata DK40

### [Strata CTX Attendant Console Call Transfer](#)

[Strata CTX Series Input Power](#)

Toshiba Strata CTX Series

[Strata VI Toggler Key](#)

Toshiba Strata VI

[Strata CT Night Transfer](#)

Toshiba Strata CT

[Strata AirLink System Line Circuit Requirements](#)

☐☐☐Toshiba Strata AirLink

[Strata DK14 Night Transfer](#)

Toshiba Strata DK14

[Strata CTX Circuit Type Code Definitions](#)

Toshiba Strata CTX

This manual is also suitable for:

[Strata dk8](#)