





## Whirlpool WED8300S Dimensions And Installation Information

Electronic electric dryer



1

--

•

## Bookmarks

## Quick Links

[Download this manual](#) See also: [Use and Care Manual](#)

®

#### PRODUCT MODEL NUMBERS

WED8300S

WED8500S



**Electrical:** This dryer requires a 3 or 4 wire,

single phase, 120/240 volt, 60 Hz., AC only

electrical supply (or 3 or 4 wire, 120/208 volt

electrical supply, if specified on the serial/rating

plate) on a separate 30-amp circuit, fused on both

sides of the line. A time-delay fuse or circuit

breaker is recommended. Connect to an individual

branch circuit. Do not have a fuse in the neutral or

grounding circuit.

**Exhaust venting:** Exhaust your dryer to the

outside. Four inch diameter vent is required. Rigid

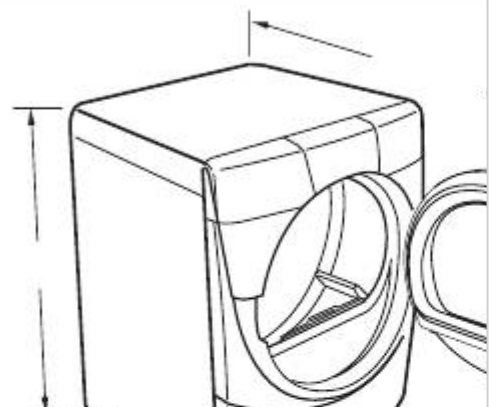
or flexible metal exhaust vent must be used. Do not

use plastic or metal foil vent. Exhaust outlet hood

must be at least 12 inches from the ground or any

object that may be in the path of the exhaust.

#### UNDERCOUNTER INSTALLATION



Dimensions shown are for minimum spacing.

2"\*  
(5 cm)  
36" min.  
(91.4 cm)  
1"\*  
(2.5 cm)  
(68.6 cm)



\*Required spacing

### EXHAUST VENTING

#### Recommended hood styles

B

#### Angled hood style is

A

(10.2 cm)

4"

(10.2 cm)

4"

(10.2 cm)

A. Louvered hood style

B. Box hood style

#### Number of

#### Type of

#### Box or

#### 90° turns

#### vent

#### Louvered

#### or elbows

#### hoods

0

#### Rigid metal

64 ft (20 m)

#### Flexible metal

36 ft (11 m)

1

#### Rigid metal

54 ft (16.5 m)

#### Flexible metal

31 ft (9.4 m)

2

#### Rigid metal

44 ft (13.4 m)

#### Flexible metal

27 ft (8.2 m)

3

#### Rigid metal

35 ft (10.7 m)

#### Flexible metal

25 ft (7.6 m)

4

#### Rigid metal

27 ft (8.2 m)

#### Flexible metal

23 ft (7 m)

#### NOTE: Side and bottom exhaust installations have a 90° turn

inside the dryer. To determine maximum exhaust length, add one 90° turn to the chart.

Because Whirlpool Corporation policy includes a continuous commitment to improve our products, we reserve the right to change materials and specifications without notice.

## Electronic Electric Dryer

### OVERALL DIMENSIONS

#### RECESSED AREA AND CLOSET INSTALLATION

For closet installation, with a door, the minimum ventilation openings in the top and bottom of the door are required. Louvered doors with equivalent air ventilation openings in the top and bottom are acceptable.

1"\*

27"

(2.5 cm)

1"

(2.5 cm)

\*Side or bottom venting - 0" (0 cm) spacing is allowed

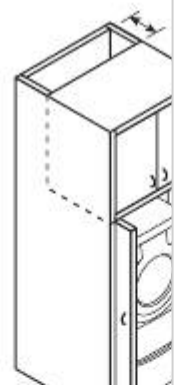
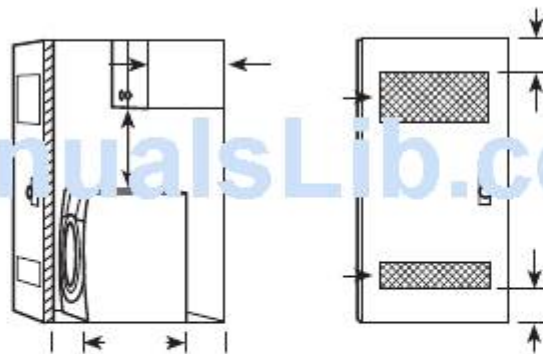
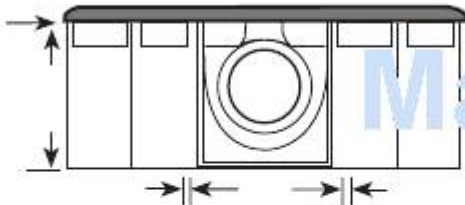
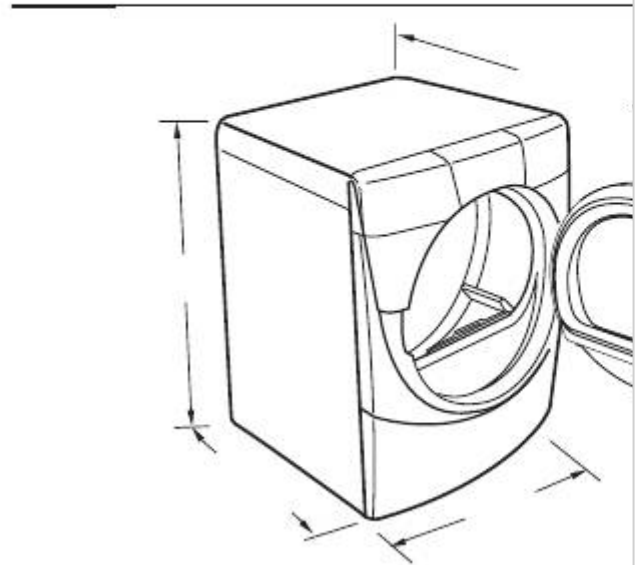
#### acceptable.

4"

2.5"

(6.4 cm)

#### Recommended installation





**Angled spacing for cabinet installation hoods**



For cabinet installation with a hood, the minimum ventilation opening in the top are required.

- 58 ft (17.7 m)
- 28 ft (8.5 m)
- 48 ft (14.6 m)
- 23 ft (7 m)
- 38 ft (11.6 m)
- 19 ft (5.8 m)
- 29 ft (8.8 m)
- 17 ft (5.2 m)

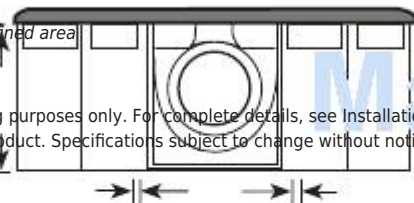
Select the route that will provide the straightest and most direct path outdoors. Plan the installation to use the fewest number of elbows and turns.

Use the fewest 90° turns possible. Do not use vent runs longer than specified in vent length chart. Determine the number of elbows you will need.

- 36"
- 91.4 cm
- \*28.65"
- (72.77 cm)

- 14" max.
- 2
- 48 in.
- (35.6 cm)
- 2
- (310 cm)
- )
- 15" min.
- (38.1 cm)
- 2
- 24 in.
- (155 cm)
- )
- 28.65"
- 5\*\*
- (72.77 cm)
- (12.7 cm)

- A
- B
- A. Side view - closet or confined area
- B. Closet door with vents



**Dryer only**

Dimensions are for planning purposes only. For complete details, see Installation Instructions packed with product. Specifications subject to change without notice.

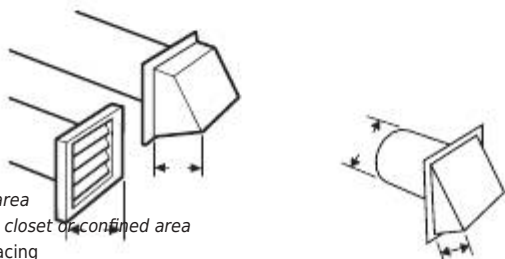
- 50½"
- (128.27 cm)

\* Most installations require a minimum 5 " (14 cm) clearance behind the dryer for the

27" exhaust vent with elbow. See Installations

(68.6 cm) Instructions, "Venting Requirements."

- 3"
- (7.6 cm)
- 3"
- (7.6 cm)
- 1\*\*
- 27"
- 2.5 cm)
- (68.6 cm)
- (2.5 cm)



- A
- A. Recessed area
- B. Side view - closet or confined area

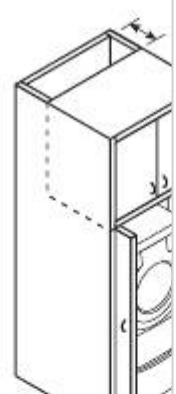
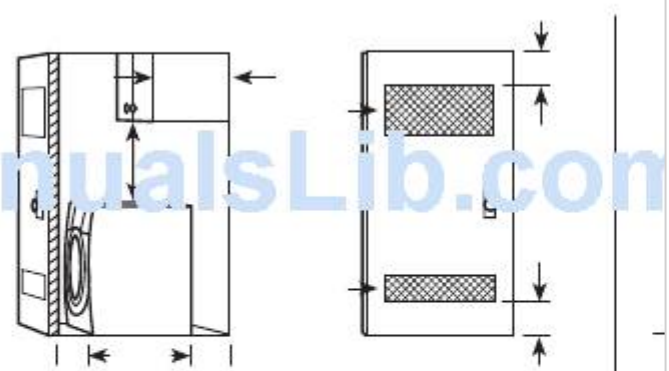
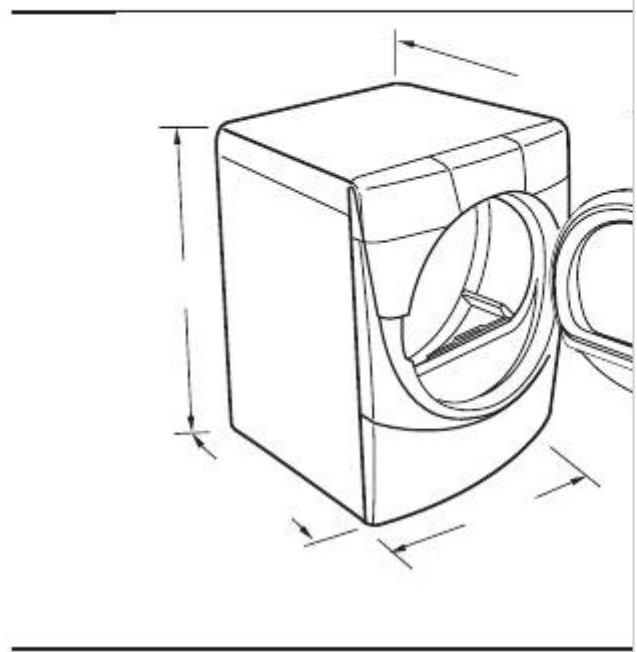
\*Required spacing  
\*\*Side or bottom venting - 0

**Dryer on pedestal**

- 7" (17.8 cm)
- 7" (17.8 cm)
- 5\*\*\*
- 28.65"
- 1"
- (12.7 cm)
- (72.77 cm)
- (2.5 cm)

\*Required spacing  
\*\*Side or bottom venting - 0

(0 cm) spacing is allowed  
14" max.



(35.6 cm)  
15" min.  
(38.1 cm)  
1"\*  
1"  
5"\*\*\*  
28.65"  
(2.5 cm)  
(12.7 cm)  
(72.77 cm)



B

(0 cm) spacing is allowed

9"

\*R

(22.9 cm)

1"\*

27"

1"\*

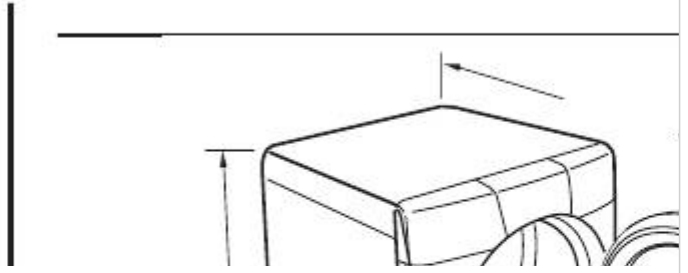
(2.5 cm)

(68.6 cm)

(2.5 cm)

Ref. 8578899

06-21-06



## Related Manuals for Whirlpool WED8300S

### [Dryer Whirlpool W10151580A Use & Care Manual](#)

Electronic electric dryer (28 pages)

### [Dryer Whirlpool DUET SPORT W10151580B Use And Care Manual](#)

Duet sport electronic electric dryer (28 pages)

### [Dryer Whirlpool Duet Sport WED8300SW Manual](#)

Electronic gas & electric dryers (96 pages)

### [Dryer Whirlpool WED8300SB - Duet Sport Electric Dryer Use & Care Manual](#)

Duet sport electronic electric dryer (28 pages)

### [Dryer Whirlpool WED8300SE - 27in Electric Dryer Use & Care Manual](#)

Duet sport electronic electric dryer (28 pages)

### [Dryer Whirlpool WED8300SB0 Parts List](#)

27" electric dryer (8 pages)

### [Dryer Whirlpool WED8300SB1 Parts List](#)

27" electric dryer (8 pages)

### [Dryer Whirlpool WED8410SW Use & Care Manual](#)

Duet sport electronic electric dryer (28 pages)

### [Dryer Whirlpool WED80HEBW Use And Care Manual](#)

Whirlpool duet 7.4 cu. ft. front load electric dryer with eco monitor (40 pages)

### [Dryer Whirlpool WED96HEA Use & Care Manual](#)

Electronic dryer (19 pages)

### [Dryer Whirlpool WED8500DC Installation Instructions Manual](#)

Gas and electric dryer (44 pages)

### [Dryer Whirlpool WED8700EC Use & Care Manual](#)

Smart electronic dryer (28 pages)

[Dryer Whirlpool WED8000DW Use And Care Manual](#)

(40 pages)

[Dryer Whirlpool WED8120HC Quick Reference Manual](#)

Electric/gas dryer (25 pages)

[Dryer Whirlpool WED9620HW Installation Instructions Manual](#)

(28 pages)

[Dryer Whirlpool WGD8127LC Quick Reference Manual](#)

Electric/gas dryer (25 pages)

## Related Products for Whirlpool WED8300S

[Whirlpool WED8300SW - w/ Accents Duet Sport Electric Dryer](#)

[Whirlpool WED8300SB - Duet Sport Electric Dryer](#)

[Whirlpool WED8300SE - 27in Electric Dryer](#)

[Whirlpool WED8200YW](#)

[Whirlpool WED8600YW](#)

[Whirlpool WED8800YW](#)

[Whirlpool WED8600Y](#)

[Whirlpool WED8800Y](#)

[Whirlpool WED8200Y](#)

[WHIRLPOOL WED88HEAC0](#)

[WHIRLPOOL WED88HEAW0](#)

[WHIRLPOOL CABRIO WED8800YC0](#)

[WHIRLPOOL CABRIO WED8800YC2](#)

[Whirlpool WED8500BW](#)

[Whirlpool WED8900BC](#)

[Whirlpool WED8900BC0](#)

This manual is also suitable for:

[Wed8500s](#)