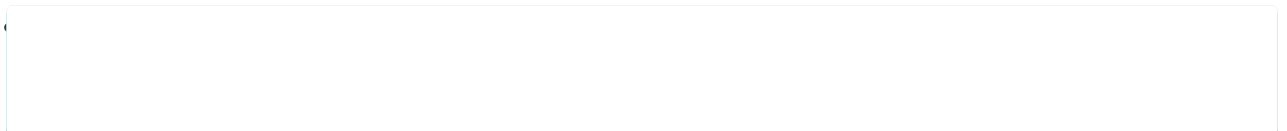




Whirlpool DU1055XTPB0 Parts Manual

Undercounter dishwasher

1
2
3
4
5
6
7
8
9
10
11
12
13
14
15

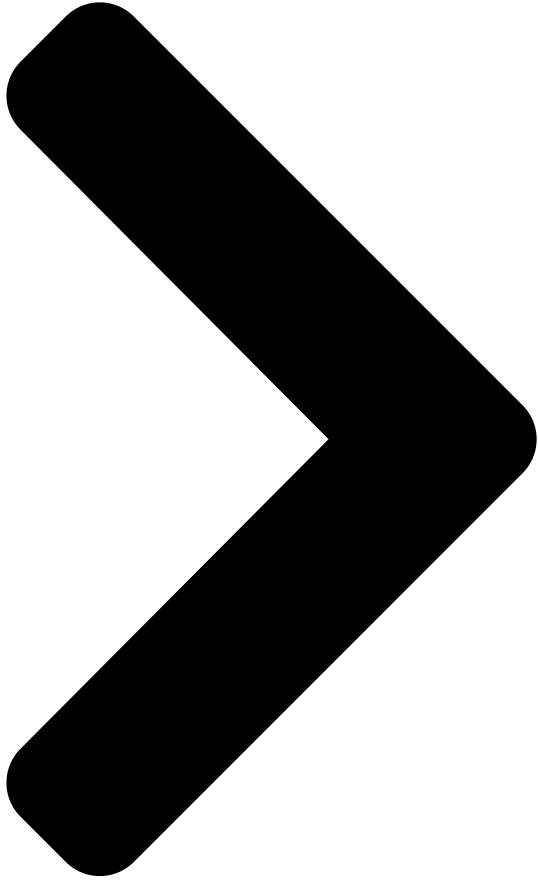


•

Bookmarks

[Download this manual](#)

Quick Links



For Models: DU1055XTPB0, DU1055XTPQ0, DU1055XTPT0, DU1055XTPS0
2-05 Litho in U.S.A. (ebk)

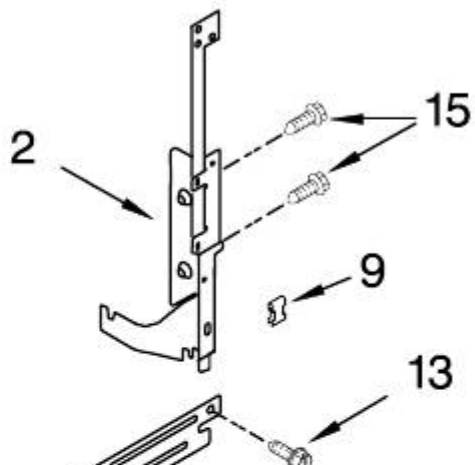
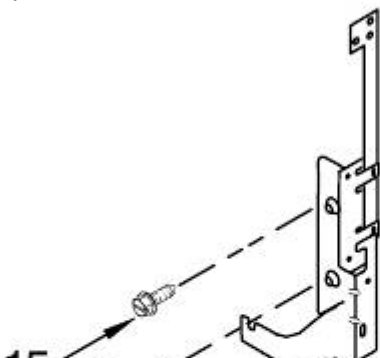


DOOR AND PANEL PARTS

(Black)
(White)
(Biscuit)

Illus.
No.

- 1
- 2
- 3
- 4
- 5
- 8





9
12
13
15
1

UNDERCOUNTER
DISHWASHER
(Stainless)

Part
No.

DESCRIPTION

Literature Parts

8535437 Instructions,
Installation

8572876 Energy Guide

8535541 Guide, Use & Care
Tech Sheet

8535451 English/French
Arm, Hinge

8534858 Left

8534857 Right

8268983 Stiffener,
Door

Panel Front

8269837 Black

8269838 White

8269840 Biscuit

8528840 Stainless

Access Panel

8543834 Black

8543835 White

8543836 Biscuit

Toe Panel

8268999 Black

8269000 White

8269001 Biscuit

8269740 Clip, Grounding
Screw

302868 Black

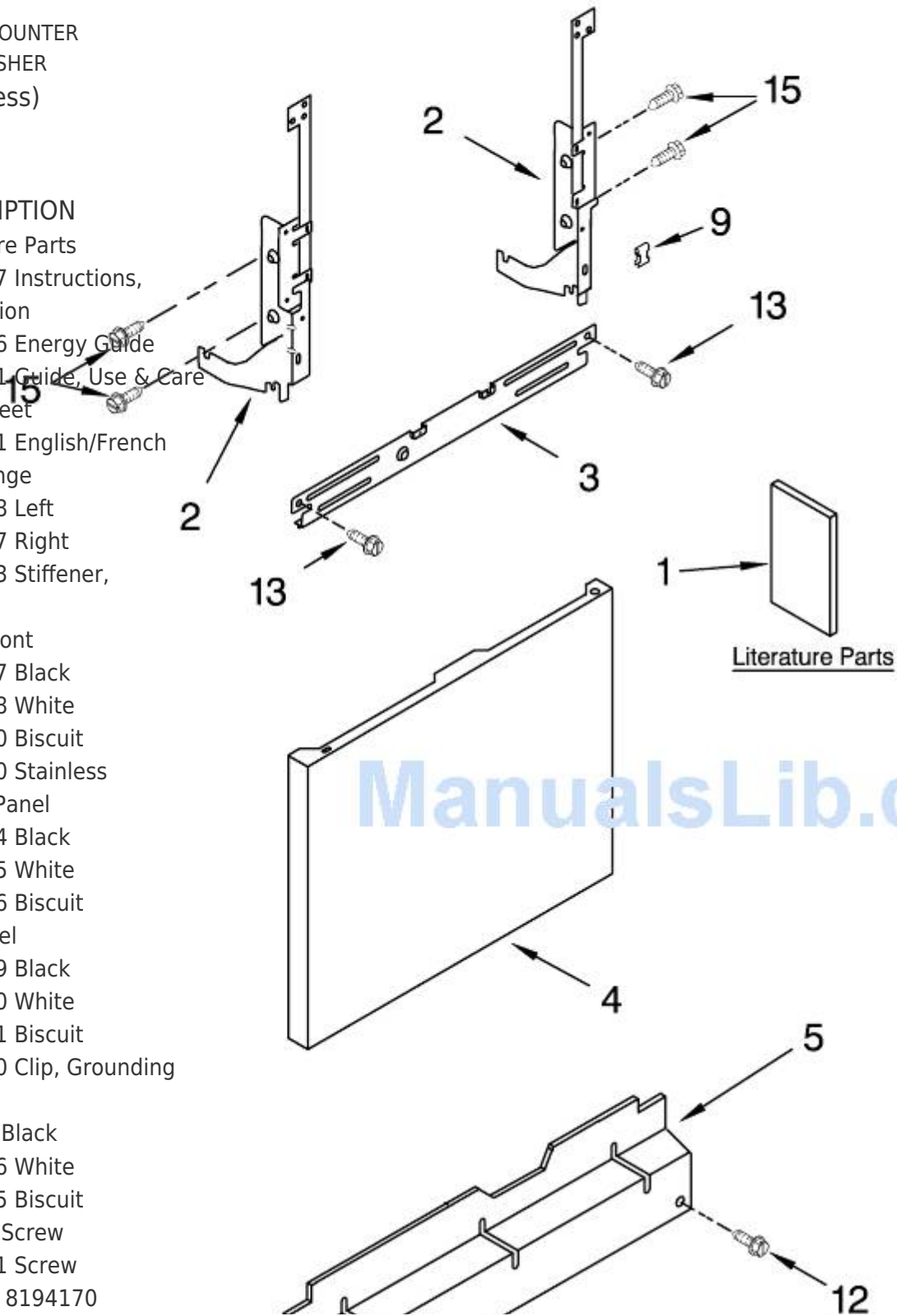
3400836 White

3400865 Biscuit

343641 Screw

3369181 Screw

Part No. 8194170



[Next Page](#)

1
2
3
4
5

Related Manuals for Whirlpool DU1055XTPB0

[Dishwasher Whirlpool DU1055XT User Instructions](#)

Whirlpool du1055xt: user guide (13 pages)

[Dishwasher Whirlpool GU2475XTVY Manual](#)

(28 pages)