





## Whirlpool GC900QPK Dimension Manual

Whirlpool compactor specifications



1

--

•

## Bookmarks

[Download this manual](#)

## Quick Links

®

Compressor

PRODUCT MODEL NUMBERS

GC900QPK

TC800SPK

GC900QPL

TU800SPK

GC900QPP

TU800SPP

GX900QPL

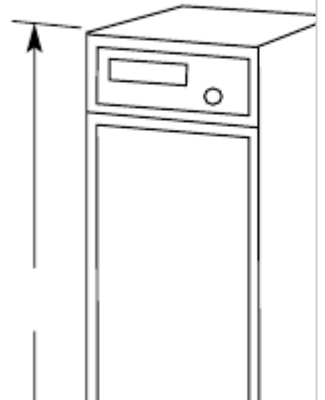
GX900QPP

Electrical: 115-volt, 60-Hz, AC-only, 15- or 20-amp. grounded circuit is required. A time-delay fuse or circuit breaker and separate circuit is recommended.

CABINET OPENING DIMENSIONS

3"

(7.6 cm)





A  
 18" min.  
 (45.7 cm)  
 24" min.  
 (61 cm)  
 15  
 "

min.  
 (38.7 cm)

**CUSTOM PANELS**

**Flat panel**

23  
 "  
 (60.5 cm)

14 "  
 (37.2 cm)

A 7/32 in. (5.6 mm) thick panel is required. This is the same thickness as a standard 1/4 in. plywood or paneling.

Because Whirlpool Corporation policy includes a continuous commitment to improve our products, we reserve the right to change materials and specifications without notice.

**OVERALL DIMENSIONS**

34 " min.  
 (87 cm)

A. Grounded electrical outlet must be a minimum of 3 in. (7.6 cm) away from surrounding cabinets or nearby walls as shown. It can be placed either to the left or the right side of the product.

**With Trim Kit  
 Raised panel**

14 "  
 (37.2 cm)  
 "  
 (5.6 mm)

A  
 B  
 "  
 (8 mm)  
 both sides

A. Raised panel or decorative trim  
 B. Outer section of panel

The outer section of panel must be 7/32 in. (5.6 mm) thick to fit into trim. Design raised panel sections using dimensions shown above.

34  
 "  
 8  
 (86.7 cm)

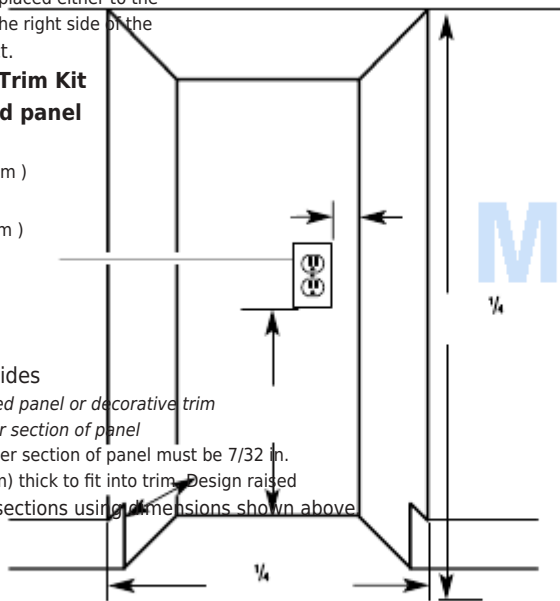
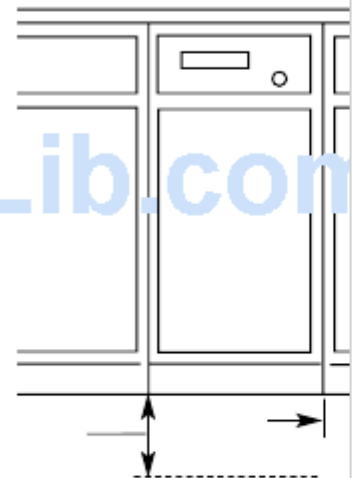
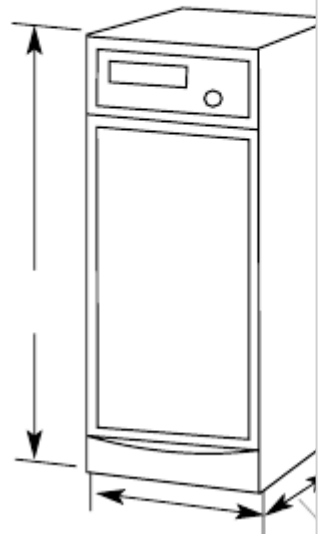
15"  
 (38.1 cm)

**CLEARANCE DIMENSIONS**

**Models with handles**

1 "  
 (32 mm)  
 23  
 "  
 (60.5 cm)  
 15"  
 (38.1 cm)  
 "  
 (8 mm)

Panel should be 1/2 to 5/8 in. (13 to 16 mm) thick. NOTE: A



ManualsLib.com



thicker panel may need rounded front corners and a cutout for access to the handle.

Dimensions are for planning purposes only. For complete details, see Installation Instructions packed with product. Specifications subject to change without notice.



**24"**  
**(61 cm)**

- A. Leave 6 in. (15.2 cm) of clearance space to the right side of the compactor in order to remove the compactor bags.
- B. Leave 23 in. (58.4 cm) of clearance in front of the compactor in order to fully open or remove the compactor drawer.

A

**Without Trim Kit**

**Models without handles**

23

"

( 60.5 cm )

15"

( 38.1 cm )

Panel should be 1/2 in.

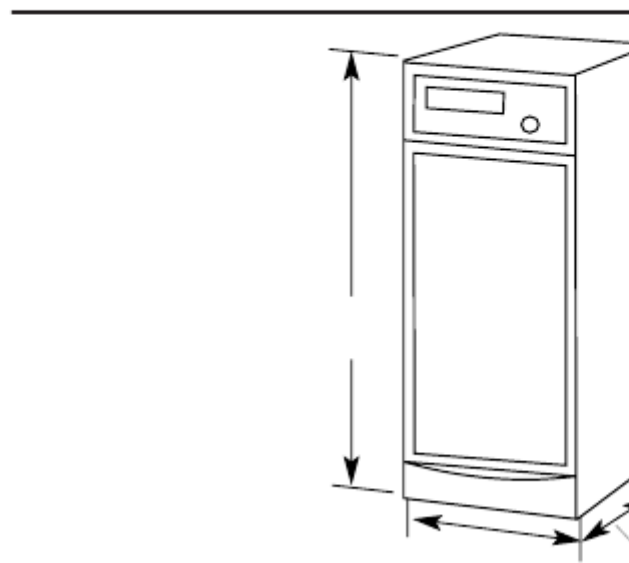
(13 mm) min. thickness

Ref. 9871676 Rev. C

25"

( 63.5 cm )

11-16-04



### Related Manuals for Whirlpool GC900QPK

[Dishwasher Whirlpool GU2475XTVY Manual](#)

(28 pages)

[Trash Compactor Whirlpool GC900QPPQ User Instructions](#)

For console models (16 pages)

[Trash Compactor Whirlpool 9872208 Use And Care Manual](#)

Whirlpool trash compactors 9872208 use & careguide (16 pages)

[Trash Compactor Whirlpool \[12:36:03\] ??????????????????: GC900QPPB Use & Care Manual](#)

(12 pages)

[Trash Compactor Whirlpool GX900QPPB Use And Care Manual](#)

15-inch undercounter trash compactor with clean touch console use & care guide

(12 pages)