



Sanyo VA-DK03 Instruction Manual

In-ceiling bracket

1
2

--

•

Bookmarks

[Download this manual](#)

Quick Links



INSTRUCTION MANUAL

In-ceiling bracket



In-ceiling bracket

VA-DK03

VA-DK03

This bracket is for housing a dome camera inside the ceiling space.

Before starting the installation procedure, please read these instructions carefully. Make sure to keep these instructions handy for future reference.

Before starting the installation procedure, please read these instructions carefully. Make sure to keep these instructions handy for future reference.

■ Safety Precautions

WARNING

This indicates a point that if not respected may cause death or serious injuries.

- This installation should be made by a qualified service person and should conform to all local codes.
- When installing the bracket and camera, select a surface which is flat and durable and which can support the full weight of the bracket and camera, and make sure that they are installed securely.
- When installing the bracket and camera, select a surface which is flat and durable and which can support the full weight of the bracket and camera, and make sure that they are installed securely.

This indicates a point that if not respected may cause injuries and/or extensive material damage.

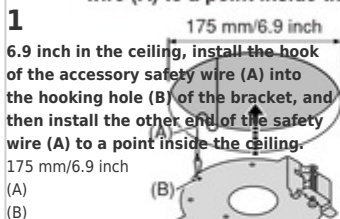
If the bracket and camera are not securely installed, they may fall down.

If the bracket and camera are not securely installed, they may fall down.

■ Installation method

1. Make a hole with a diameter of 175 mm/6.9 inch in the ceiling. Install the hook of the accessory safety wire (A) into the hooking hole (B) of the bracket, and then install the other end of the safety wire (A) to a point inside the ceiling.
2. Install the bracket to the ceiling with the hooking protrusions (C) turned inward.

Make a hole with a diameter of 175 mm/6.9 inch in the ceiling.



If the safety wire is too short, use the other safety wire which is also included as an accessory. The safety wire is used to prevent the bracket from falling down once it has been installed.

If the safety wire is too short, use the other safety wire which is also included as an accessory. The safety wire is used to prevent the bracket from falling down once it has been installed.

Install the bracket to the ceiling with the hooking protrusions (C) turned inward.

2. Install the bracket to the ceiling with the hooking protrusions (C) turned inward.

INSTRUCTION MANUAL



In-ceiling bracket

VA-DK03

This bracket is for housing a dome camera inside the ceiling space.

Before starting the installation procedure, please read these instructions carefully. Make sure to keep these instructions handy for future reference.

■ Safety Precautions

This indicates a point that if not respected may cause death or serious injuries.

- This installation should be made by a qualified service person and should conform to all local codes.
- When installing the bracket and camera, select a surface which is flat and durable and which can support the full weight of the bracket and camera, and make sure that they are installed securely.

If the installation location is plasterboard or a similar material, use a reinforcement plate to reinforce it.

This indicates a point that if not respected may cause injuries and/or extensive material damage.

If the bracket and camera are not securely installed, they may fall down.

■ Installation method

4 Install the camera.

This bracket can be used for installing vandal-resistant dome camera.

When installing the camera, make sure the lens orientation matches the monitoring direction.

For details, refer to the instruction manual for your dome camera.

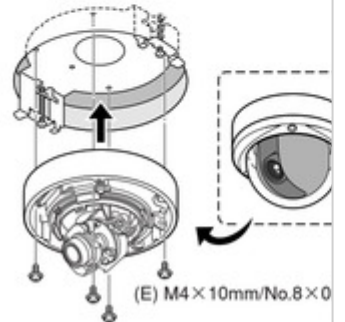
Place the camera into the In-ceiling bracket and then secure it by tightening the four supplied screws (E).

4 Install the camera.

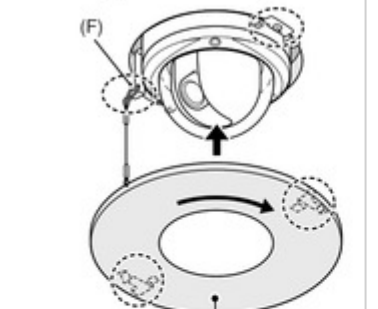
This bracket can be used for installing vandal-resistant dome camera.

When installing the camera, make sure the lens orientation matches the monitoring direction. For details, refer to the instruction manual for your dome camera.

Place the camera into the In-ceiling bracket then secure it by tightening the four supplied screws (E).



5 Insert the hook of the safety wire into the hole (F) of the In-ceiling bracket.



Place the cover on the ceiling and turn it clockwise to secure it.

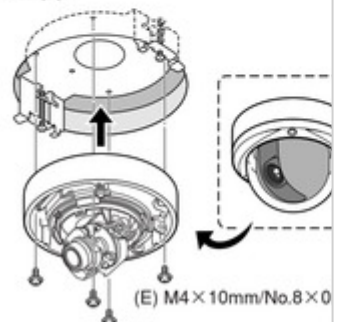
- When installing the cover to the ceiling, make sure the safety wire is not caught by the cover.
- Make sure the cover is firmly attached to the ceiling.

4 Install the camera.

This bracket can be used for installing vandal-resistant dome camera.

When installing the camera, make sure the lens orientation matches the monitoring direction. For details, refer to the instruction manual for your dome camera.

Place the camera into the In-ceiling bracket then secure it by tightening the four supplied screws (E).



screws (E).

(E) M4×10mm/No.8×0.4 inch

5 INSTRUCTION MANUAL



Insert the hook of the safety wire which is attached to the cover into the hooking hole (F) of the in-ceiling bracket.

VA-DK03

This bracket is for housing a dome camera inside the ceiling space.

Before starting the installation procedure, please read these instructions carefully. Make sure to keep these instructions handy for future reference.

■ Safety Precautions

■ Accessories

- ① Screws
- ② Safety wire



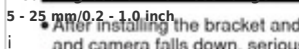
This indicates a point that if not respected may cause death or serious injuries.

(M4×10 mm/No.8×0.4 inch)

■ Specifications

This installation should be made by a qualified service person and should conform to all local codes.

- When installing the bracket and camera, select a surface which is flat and durable and which can support the weight of the bracket and camera, and make sure that they are installed securely.
- If the installation location is plasterboard or a similar material, use a reinforcement plate to reinforce it.
- If the bracket and camera are not securely installed, they may fall down.



This indicates a point that if not respected may cause injuries and/or extensive material damage.

Weight: 420 g/14.8 oz.

Mounting board thickness range: 5 - 25 mm/0.2 - 1.0 inch

- After installing the bracket and camera, always be sure to check that they are fully secure. If the bracket and camera falls down, serious injury may result.

■ Installation method

Make a hole with a diameter of 175 mm/6.9 inch in the ceiling, install the hook of the accessory safety wire (A) into the hooking hole (B) of the bracket, and then install the other end of the safety

2 Install the bracket to the ceiling with the hooking protrusions (C) turned inward.



Features and specifications are subject to change without prior notice. © 2014 SANYO Electric Co., Ltd. Printed in Taiwan. 45 mm/1.8 inch

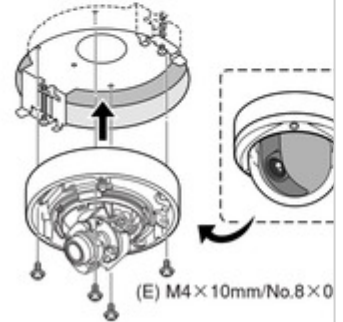
4 Install the camera.

This bracket can be used for installing vandal-resistant dome camera.



When installing the camera, make sure the lens orientation matches the monitoring direction. For details, refer to the instruction manual for your dome camera.

Place the camera into the in-ceiling bracket then secure it by tightening the four supplied screws (E).



5 Insert the hook of the safety wire which is attached to the cover into the hooking hole (F) of the in-ceiling bracket.



[Next Page](#)

1

2

Related Manuals for Sanyo VA-DK03

[TV Mount Sanyo VA-60BX Instruction Manual](#)

Base bracket (1 page)

