



Whirlpool GH7208XRY Instructions

Microwave hood combination

1

--

•

Bookmarks

Quick Links

[Download this manual](#) See also: [Use and Care Manual](#)

PRODUCT MODEL NUMBERS

GH6208XR

GH7208XR



Electrical: A 120 volt, 60 Hz, AC only, 15- or 20-amp electrical supply located in the upper cabinet as close as possible to the microwave oven hood. A time-delay fuse or circuit breaker and separate circuit is recommended.

OVERALL DIMENSIONS

VENTING REQUIREMENTS

Roof venting

roof cap

3-1/4" x 10"

through-the-roof

Recommended standard fittings

3-1/4" x 10"

3-1/4" x 10"

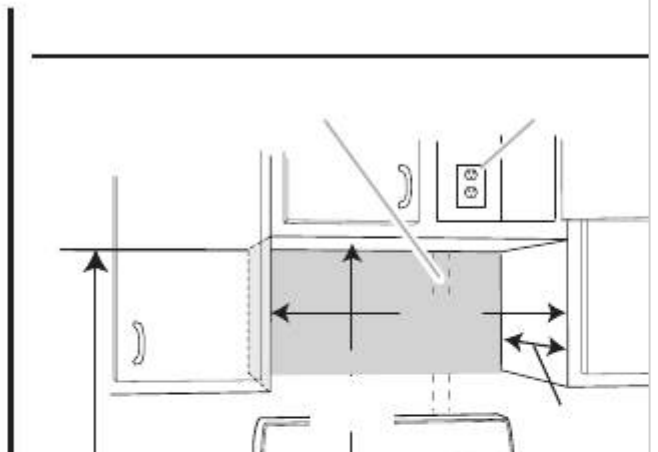
to 6" = 5 ft.

roof cap = 24 ft.

90° elbow

3-1/4" x 10"

45° elbow



6" = 10 ft.

wall cap

6" = 5 ft.

40 ft.



If the existing vent is round, a round-to-round adapter must be used and a rectangular 3" extension vent between the damper assembly and the adapter must be installed to prevent sticking of the exhaust damper.

Because Whirlpool Corporation policy includes a continuous commitment to improve our products, we reserve the right to change materials and specifications without notice.

Microwave Hood Combination

CABINET OPENING DIMENSIONS

66" (167.6 cm) min.

Wall venting

For wall or roof venting methods:

If the wall exhaust method is chosen, be sure that there is proper clearance within the wall so the vent fits properly and the damper blade opens fully.

Wall and roof caps must have back-draft damper.

We recommend:

using rigid metal vent.

3-1/4" x 10"

that length of vent and number of elbows should

90° elbow = 25 ft.

be kept to a minimum to provide efficient performance.

that size of vent should be uniform.

using duct tape to seal all joints in the vent system.

using caulking compound to seal exterior wall or

3-1/4" x 10"

90° flat

roof opening around cap.

elbow = 10 ft.

two elbows should not be installed together.

We do NOT recommend:

flexible metal vent.

NOTE: If flexible metal vent must be used, calculate each foot of flexible metal vent as two feet of rigid metal vent. Flexible metal elbows count twice as much as standard elbows.

A

30"

(76.2 cm)

min.

30"

(76.2 cm)

typical*

A. 2" x 4" wall stud

B. Grounded 3 prong outlet

wall cap

3-1/4" x 10"

through-the-wall

Dimensions are for planning purposes only. For complete details, see Installation Instructions packed with product. Specifications subject to change without notice.

B

NOTE: The grounded 3 prong outlet

must be inside the upper cabinet.

*30" (76.2 cm) is typical for 66"

(167.6 cm) installation height. Exact

dimension may vary depending on

type of range/cooktop below.

12" (30.5 cm) min.

13" (33.0 cm) max.

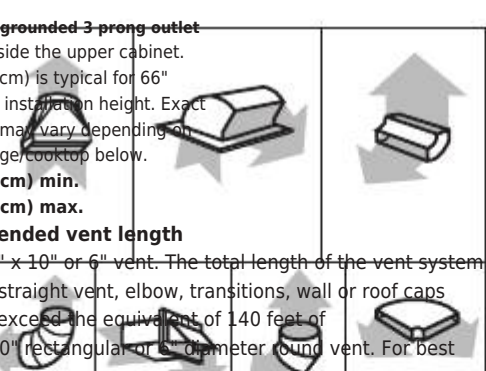
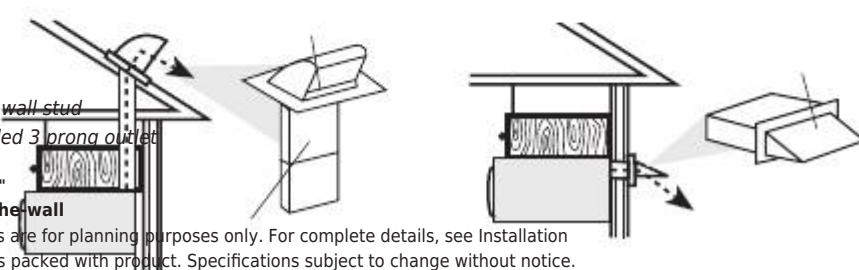
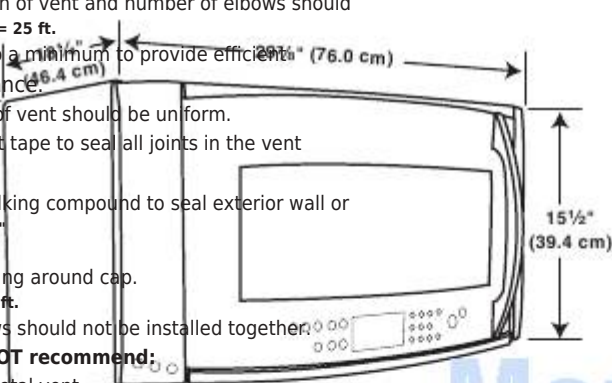
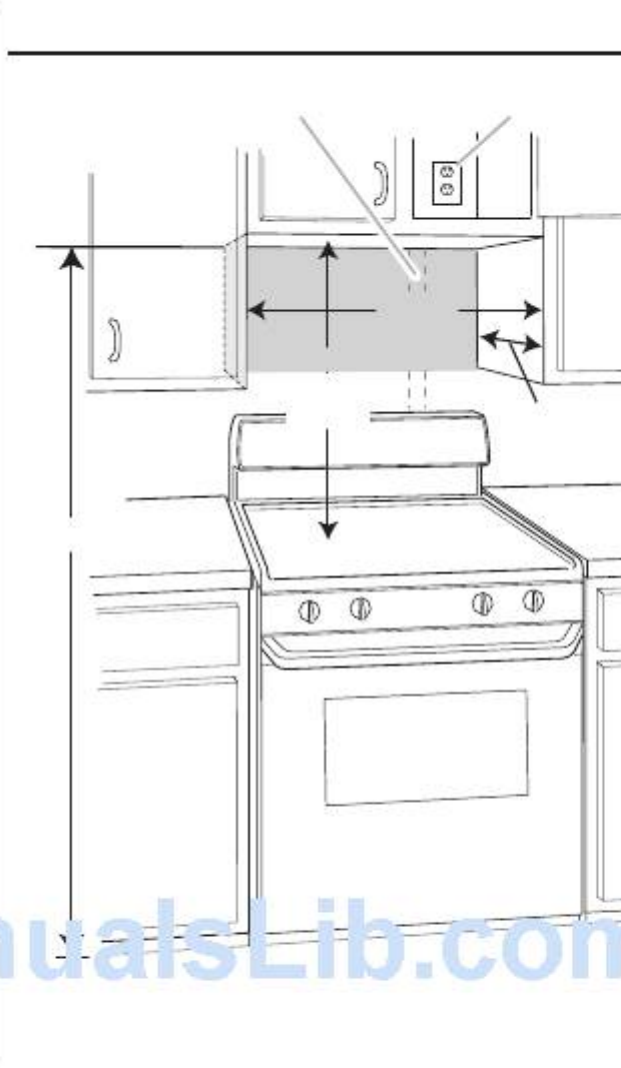
Recommended vent length

Use 3-1/4" x 10" or 6" vent. The total length of the vent system

including straight vent, elbow, transitions, wall or roof caps

must not exceed the equivalent of 140 feet of

3-1/4" x 10" rectangular or 6" diameter round vent. For best



ManualsLib.com

performance, use no more than three 90° elbows. To calculate the length of system you need, add the equivalent feet for each vent piece used in the system. See examples below.



3-1/4" x 10" vent system

3-1/4" x 10"

90° elbow

6 ft.

1 - 3-1/4" x 10"

2 ft.

90° elbow

1 - wall cap

8 feet straight

Length of

3-1/4" x 10" system

6" vent system

90° elbows

1 - transition

2 ft.

2 - 90° elbows

1 - wall cap

8 feet straight

Length of 6" system

transition

wall cap

= 25 ft.

= 40 ft.

= 8 ft.

= 73 ft.

6 ft.

wall cap

= 5 ft.

= 20 ft.

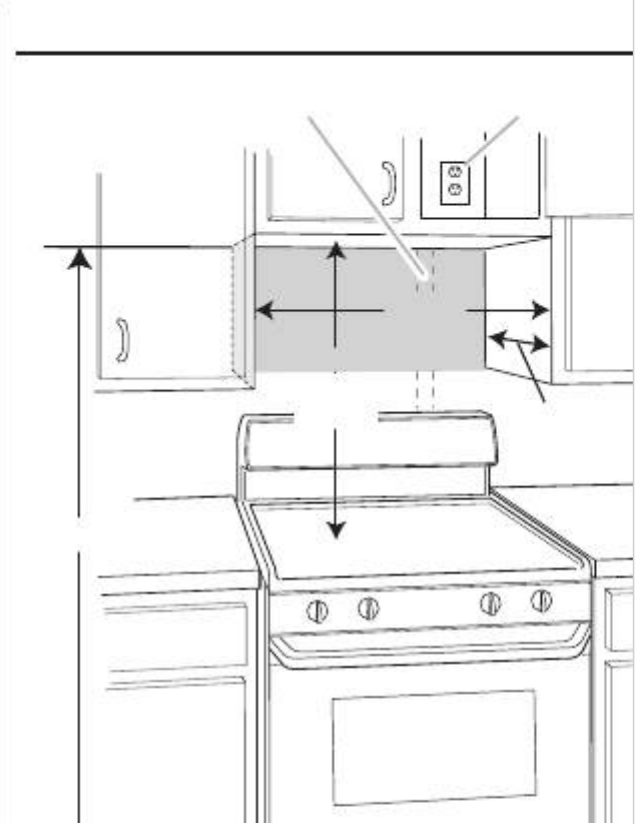
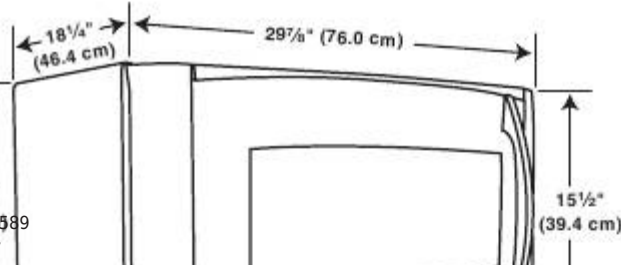
= 40 ft.

= 8 ft.

= 73 ft.

Rev. 8206589

01-03-07



Related Manuals for Whirlpool GH7208XRY

[Microwave Oven Whirlpool Gold GH7208XRY Use And Care Manual](#)

Speedcook microwave hood combination with convection (36 pages)

[Microwave Oven Whirlpool GH7208XRY Use & Care Manual](#)

Microwave hood combination (9 pages)

[Microwave Oven Whirlpool GH7208XR Use & Care Manual](#)

(36 pages)

[Convection Oven Whirlpool GH7208XR Use & Care Manual](#)

Whirlpool use&care guide speedcook microwave oven with convection gh7208xr

(36 pages)

[Microwave Oven Whirlpool GH6208XRS Use And Care Manual](#)

Speedcook microwave hood combination (32 pages)

[Microwave Oven Whirlpool GH6208XR Use & Care Manual](#)

G2max system with trucapture ventilation speedcook microwave oven (32 pages)

[Microwave Oven Whirlpool Gold GH7208XR Installation Instructions Manual](#)

Microwave hood combination (12 pages)

[Microwave Oven Whirlpool MICROWAVE HOOD COMBINATION Installation Instructions Manual](#)

Microwave hood combination (12 pages)

[Microwave Oven WHIRLPOOL 8205272-D-WH Dimensions And Installation Information](#)

(1 page)

[Microwave Oven Whirlpool GH7155XHS Use And Care Manual](#)

Microwave hood combination (30 pages)

[Microwave Oven Whirlpool GH7155XKQ Use And Care Manual](#)

Whirlpool microwave hood combination gh7155xkq/b/t use and care guide (30 pages)

[Microwave Oven Whirlpool GH7208XRQ2 Installation Instructions Manual](#)

Microwave hood combination (12 pages)

[Microwave Oven Whirlpool GH7145 Use & Care Manual](#)

Microwave hood combination (47 pages)

[Microwave Oven Whirlpool GH7155XK Installation Instructions Manual](#)

Microwave oven hood combination (7 pages)

[Microwave Oven WHIRLPOOL GH7145XF Use & Care Manual](#)

(48 pages)

[Microwave Oven Whirlpool GH7155XKB Use And Care Manual](#)

(32 pages)

Related Products for Whirlpool GH7208XRY

[Whirlpool GH7208XRY1](#)

[Whirlpool GH7208XRY3](#)

[Whirlpool GH7208XRY4](#)

[Whirlpool GH7208XRY2](#)

[Whirlpool GH7208XRB0](#)

[Whirlpool GH7208XRQ0](#)

[Whirlpool GH7208XRB1](#)

[Whirlpool GH7208XRT1](#)

[Whirlpool GH7208XRQ1](#)

[Whirlpool GH7208XRS1](#)

[Whirlpool GH7208XR - 11-07](#)

[Whirlpool GH7208XRS3](#)

[Whirlpool GH7208XRS2](#)

[Whirlpool GH7208XRS4](#)

[Whirlpool GH7208XRB4](#)

[Whirlpool GH7208XRB2](#)

This manual is also suitable for:

[gh7208xrq gh7208xrb gh7208xrs Gh6208xr Gh7208xr Gh7208xrs - 2.0 cu. ft. velos speedcook microwave oven](#)