



Sanyo PLV-75 Service Manual

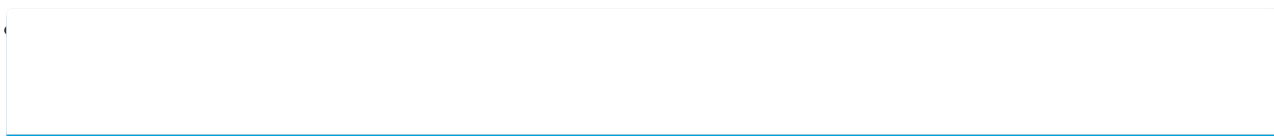
Multimedia

1
Table Of Contents
2
3
4
5
6
7
8
9
10
11
12
13
14
15
16
17

18
19
20
21
22
23
24
25
26
27
28
29
30
31
32
33
34
35
36
37
38
39
40
41
42
43
44
45
46
47
48
49
50
51
52
53
54
55
56
57
58
59
60
61
62
63
64
65
66
67

68
69
70
71
72
73
74
75
76
77
78
79
80
81
82
83
84
85
86
87
88
89
90
91
92
93
94
95
96
97
98
99
100
101
102
103
104
105
106
107
108
109
110
111
112
113
114
115
116
117

118
119
120
121
122
123
124
125
126
127
128
129
130
131
132



•

[Table of Contents](#)

•

Bookmarks

[Download this manual](#)

Quick Links



SERVICE MANUAL

* PLV-75L does not provide a projection lens.

NOTE: Match the Chassis No. on the unit's back cover with the Chassis No. in the Service Manual.

If the Original Version Service Manual

Chassis No. does not match the unit's, additional Service Literature is required. You must refer to "Notices" to the Original Service Manual prior to servicing the unit.

!

RoHS

K

• This product does not contain any hazardous sub-

Multimedia Projector Model



Or

stances prohibited by the RoHS Directive. (You will find "RSF" mark near the rating plate on the RoHS compliant product.)

PRODUCT CODE

PLV-75

PLV-75L

1 122 328 00

1 122 328 20

(MB4A)

SERVICE MANUAL

Multimedia Projector

Model

1 122 329 00

1 122 329 20

(PB4A)

1 122 329 02

1 122 329 22

(PB4C)

Multimedia Projector

! WARNING

- You are requested to use RoHS compliant parts for maintenance or repair.
- You are requested to use lead-free solder.

(MB4AL)

(PB4AL)

(PB4CL)

FILE NO.

Model No. PLV-75, PLV-75L

U.S.A., Canada,

Europe, Asia, Africa

Original Version

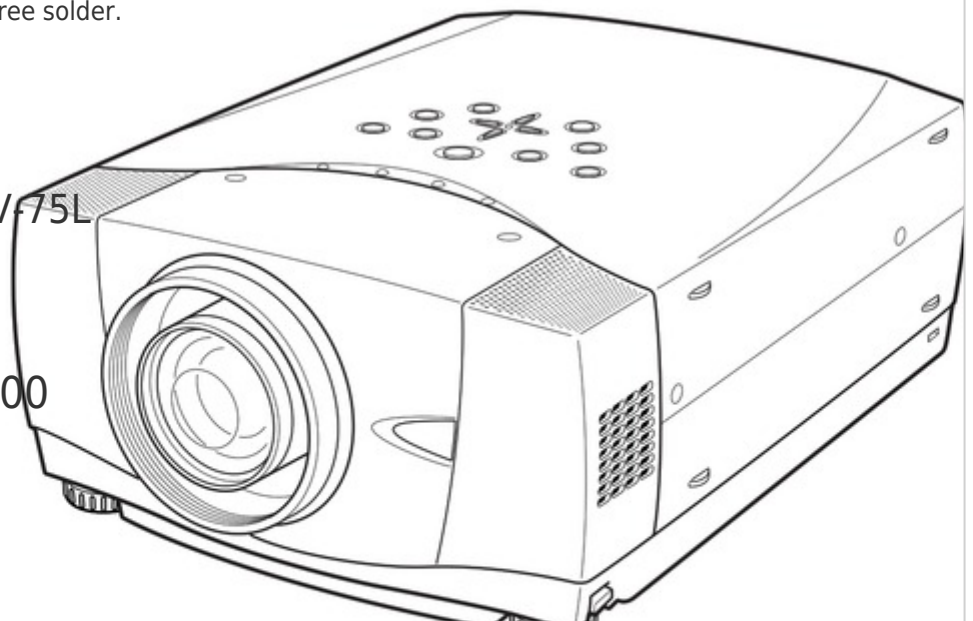
Chassis No. MB4-7500

MB4-75L00

REFERENCE NO.

SM

5110756-00



[Table of Contents](#)

[Next Page](#)

1
2
3
4
5

Related Manuals for Sanyo PLV-75

[Organizer Sanyo PLV-80 Series Owner's Manual](#)

Pj-net organizer plus c (88 pages)

[Projector Sanyo PLV-75 Owner's Manual](#)

Lensless (60 pages)

[Projector Sanyo PLV-75/PLV-80 Owner's Manual](#)

Lensless (60 pages)

[Projector Sanyo PLV-75 Specification Sheet](#)

3000/2200 ansi lumens wide xga (16:9) multimedia projector (1 page)

[Projector Sanyo PLV-80/75 Specification Sheet](#)

3000/2200 ansi lumens wide xga (16:9) multimedia projector (1 page)

[Projector Sanyo PLV-70 Specifications](#)

Portable multimedia lcd projector (2 pages)

[Projector Sanyo PLV-70 Owner's Manual](#)

Sanyo plv-70: owners manual (48 pages)

[Projector Sanyo PLV-70 Service Manual](#)

Multimedia projector (104 pages)

[Projector Sanyo PLV-70 Service Manual](#)

Multi-media projector (84 pages)

[Projector Sanyo PLV-70 Service Manual](#)

(36 pages)

[Projector Sanyo PLC-XE32 Brochure](#)

Sanyo projectors product brochure (12 pages)

[Projector Sanyo PLV-Z1BL Owner's Manual](#)

Sanyo multimedia projector model plv-z1, plv-z1bl owner's manual (52 pages)

[Projector Sanyo PLV-Z1 Service Manual](#)

(17 pages)

[Projector Sanyo PLV-Z1 Service Manual](#)

Multimedia projector (67 pages)

[Projector Sanyo PLV-Z2000 Owner's Manual](#)

Multimedia projector (60 pages)

[Projector Sanyo PLV-Z4000 Owner's Manual](#)

Sanyo projector user manual (60 pages)

Summary of Contents for Sanyo PLV-75

[Page 1: Service Manual](#)

FILE NO. SERVICE MANUAL Multimedia Projector Model No. PLV-75, PLV-75L U.S.A., Canada, Europe, Asia, Africa Original Version * PLV-75L does not provide a projection lens. NOTE: Match the Chassis No. on the unit's back cover with the Chassis No. in the Service Manual.

[Page 2: Table Of Contents](#)

Contents SERVICE MANUAL 1 Power supply control & power failure detection ..53
Contents 2 LED indicators and projector condition..... 54 Safety Instructions3
Power failure detection system 55 SAFETY PRECAUTIONS..... 3 Power failure detection

[Page 3: Safety Instructions](#)

Safety Instructions SAFETY PRECAUTIONS WARNING: The chassis of this projector is isolated (COLD) from AC line by using the converter transformer. Primary side of the converter and lamp power supply unit circuit is connected to the AC line and it is hot, which hot circuit is identified with the line () in the schematic diagram.

[Page 4: Specifications](#)

Dimensions (W x H x D) 12.6" x 6.6" x 16.8" (319mm x 168mm x 429.5mm) Net Weight 19.2 lbs (8.7 kg) PLV-75, 16.3 lbs (7.4 kg) PLV-75L LCD Panel System 1.21" TFT Active Matrix type, 3 panels Panel Resolution...

[Page 5: Circuit Protections](#)

Circuit Protections This projector is equipped with the following circuit protections to operate in safety. If the abnormality occurs inside the projector, it will automatically turn off by operating one of the following protection circuits. Fuse The fuse is located inside of the projector. When either the LAMP indicator or the READY indicator is not illuminated, fuse may be opened.

[Page 6: Warning Temperature And Power Failure Protection](#)

Circuit Protections Warning temperature and power failure protection The TEMP WARNING indicator flashes red and the projector will automatically turn off when the internal temperature of the projector exceeds the normal temperature or when stopping cooling fans or when the internal power supply lines are failed.

[Page 7: Lamp Replacement](#)

Lamp Replacement WARNING: ORDER REPLACEMENT LAMP - For continued safety, replace with a lamp assembly of the same type. - Allow the projector to cool for at least 45 minutes before you open the Type No. Service Parts No. lamp cover. The inside of the projector can become very hot. POA-LMP99 610 325 2940 - Do not drop the lamp module or touch the glass bulb! The glass can...

[Page 8: Mechanical Disassemblies](#)

Mechanical Disassemblies Mechanical disassemble should be made following procedures in numerical order. Following steps show the basic procedures, therefore unnecessary step may be ignored. Caution: The parts and screws should be placed exactly the same position as the original otherwise it may cause loss of performance and product safety.

[Page 9](#) Mechanical Disassemblies Main Board removal Remove 6 screws to take the Main Board upward. Main Board Fig.3 AV, I/F Board & Rear Panel removal FN905 Remove 1 screw and take the Rear Panel ass'y upward off. Remove 4 screws to take the fan (FN905) off. Remove 5 screws and 1 screw to take AV Board...

[Page 10](#) Mechanical Disassemblies Lamp Ballast Unit removal FN904 Remove 4 screws to take the Ballast Cover upward Ballast Cover off. Remove 3 screws to take the Fan (FN904) off. Remove 2 screws to take the Fan (FN904) from the holder. Remove the Sub Power Board and Drive Board by pull- ing them upward.

[Page 11](#) Mechanical Disassemblies Prism Base removal Remove 2 screws to take the Prism Base ass'y upward off. Remove 2 screws to take the Lens Shift Motor and Sensor SW Holder from the Base. Prism Base Ass'y Motor and Sensor Holder Fig.7 Power Board removal Remove 3 screws to take the Power Board off.

[Page 12](#) Mechanical Disassemblies Line Filter Board & Interlock SW & Thermal SW removal Remove 1 screw to take Interlock Switch(SW905). Remove 2 screws to take Filter Board Holder and remove 2 screws to take Filter Board from the Holder. Remove 1 screw to take Thermal Switch(SW902).

[Page 13: Optical Parts Disassemblies](#)

Optical Parts Disassemblies Before taking this procedure, remove Cabinet Top and Main Board following to the "Mechanical Disassemblies". Disassembly requires a 2.0mm or 2.5mm hex wrench and a slot screwdriver. Projection Lens removal Remove Cabinet Front-Top following to

the chapter “Mechanical Disassemblies”.

[Page 14](#) Optical Pats Disassemblies Relay Lens disassembly Remove 2 hex screws and pull the Relay Lens ass’y upward. Remove 2 screws to take the Lens off from the holder. Note: There is no mounting direction of the lens. Holder Relay Lens Fig.3- Fig.3- -14-...

[Page 15](#) Optical Pats Disassemblies Polarized Glass-Out and Optical Filter(WV) removal Remove 4 hex screws and take the LCD/Prism ass’y off upward. Remove 3 screws and take the Glass Holder, and then pull the Polarized Glass-Out and Optical Filter(WV) upward off. These glasses are mounted for R, G and B LCD panels respectively.

[Page 16](#) Optical Parts Disassemblies Optical Unit Top removal Remove 7 screws to take the Optical Unit Top off upward. Fig.5 Condenser Lens disassembly Remove 2 hex screws and take the Condenser Lens ass’y. Release 4 hooks to take the Lens off from the holder. * Lens should be placed as the flat surface side comes to the holder...

[Page 17](#) Optical Parts Disassemblies Locations and Directions Key No. Description When the optical parts in the optical unit mounting or assembling, Condenser lens (R) the parts must be mounted in the specified location and direction as Condenser lens shown in figure below. Condenser lens Mirror (B) Optical filter (UV cut)

[Page 18: Lcd Panel/Prism Ass'y Replacement](#)

LCD Panel/Prism Ass’y Replacement IMPORTANT NOTICE on LCD Panel/Prism Ass'y Replacement LCD panels used for this model can not be replaced separately. Do not disassemble the LCD Panel/Prism Ass’y. These LCD panels are installed with precision at the factory. When replacing the LCD panel, should be replaced whole of the LCD panels and prism ass’y at once.

[Page 19: Adjustments](#)

Adjustments Turning On the Projector If the PIN code is set on the projector, you cannot use the projector. The PIN code can be reset to the factory default setting (1234) according to the following procedure. When you reset the PIN code, the Logo PIN code and key lock will be reset, as well. 1.

[Page 20: Optical Adjustments](#)

Optical Adjustments Before taking optical adjustments below, remove the Cabinet Top and Main Board following to the “Mechanical Disassemblies” Adjustments require a 2.0mm hex wrench and a slot screwdriver. Note: Do not disconnect connectors K8L, K8X, K8D, K8G and K8E on the main board, because the projector can not turn on due to operate the power failure protection.

[Page 21](#) Optical Adjustments Condenser Lens adjustment Turn the projector on by a state of without FPC cables. Adjust the adjustment base of condenser lens ass’y to make color uniformity in white. 1) If the shading appears on the left or right of the screen as shown in Fig.2-1, loosen 2 screws with the 2.0mm hex driv- White...

[Page 22](#) -22-...

[Page 23: Electrical Adjustments](#)

Electrical Adjustments Service Adjustment Menu Operation To enter the service mode To enter the “Service Mode”, press and hold the MENU and IMAGE button on the projector at the same time for more than 3 seconds. The service menu appears on the screen as follows. To adjust service data Select the adjustment group no.

[Page 24: Circuit Adjustments](#)

Electrical Adjustments Circuit Adjustments CAUTION: The each circuit has been made by the fine adjustment at factory. Do not attempt to adjust the follow- ing adjustments except requiring the readjustments in servicing otherwise it may cause loss of perfor- mance and product safety. WARNING : USE UV RADIATION EYE AND SKIN PROTECTION DURING SERVICING.

[Page 25](#) Electrical Adjustments Video Center adjustment PC Input adjustment 1. Receive the 16-step gray scale computer signal with 1. Receive the 16-step gray scale computer signal with Input 1 [RGB(Analog)] mode. Input 1 [RGB(Analog)] mode. 2. Enter the service mode. 2. Enter

the service mode. TPV1G 3.

[Page 26](#) Electrical Adjustments/1 Common Center adjustment AV Gamma-shift adjustment 1. Receive the 1 line black/white pattern computer sig- 1. Receive the 100%whole-white component video sig- nal with Input 1 [RGB(Analog)] mode. nal (Y/Cb/Cr) with Input 3 [Y,Pb/Cb,Pr/Cr] mode. 2. Enter the service mode. 2.

[Page 27: Test Points And Locations](#)

Electrical Adjustments Test Points and Locations ● MAIN BOARD TPFN6 TP35R TPNRSA IC1811 IC561 TPNRSB K35R TPREF_G IC531 K35B TPV1B -27-...

[Page 28: Service Adjustment Data Table](#)

Electrical Adjustments Service Adjustment Data Table These initial values are the reference data written from the CPU ROM to memory IC when replaced new memory IC. The adjustment items indicated with “*” are required to readjust following to the “Electrical adjustments”. Other items should be used with the initial data value.

[Page 29](#) Electrical Adjustments Group No. Item Function Range Initial Value Operation History
0 OPERATION_HISTORY_1 Operation history in last operation 0~32767 49
OPERATION_HISTORY_50 Operation history last 50th operation 0~32767 50
OPERATION_HISTORY Reset It resets the history when the value is changed to 10. 0 ~ 10 * See "Power Falure Error His- Projector Failure History...

[Page 30](#) Electrical Adjustments Group No. Item Function Range Initial Value Fan cloggle Setting for factory exam Shippment Setting 0 Shippment Setting All of settings are set to default when the value changes to 10 0 ~ 10 not used DDC Setting 0 HDCP EDID Data Setting 0:EDID Data for DVI / 1:EDID Data for HDCP 0 / 1...

[Page 31](#) Electrical Adjustments Group No. Item Function Range Initial Value 26 B Gain Coefficient AV B Gain Coeficent adjustment [901h] 0 ~ 255 27 G GAMMA SHIFT Differential AV 50% Gamma AdjustmentG[503h] G, Inks with R,B -2048 ~ 2047 28 R GAMMA SHIFT Differential AV 50% Gamma AdjustmentR[103h] -2048 ~ 2047 29 B GAMMA SHIFT Differential...

[Page 32](#) Electrical Adjustments Group No. Item Function Range Initial Value 14 Cur_MaxY Maximum Brightness at Hue Correction 128 ~ 255 15 CM_IsAccess For Debug 0 ~ 1 Buil-in Device: AD9882 0 GREEN_OFFSET 0 - 127 1 RED_OFFSET 0 - 127 2 BLUE_OFFSET 0 - 127 3 GREEN_GAIN 0 - 255...

[Page 33](#) Electrical Adjustments Group No. Item Function Range Initial Value 49 GAIN G 0 Under 0 - 255 50 GAIN G 0-1 0 - 255 51 GAIN G 1-2 0 - 255 GAIN Thresh 52 GAIN G 2-3 0 - 255 Defferential data between X - X 53 GAIN G 3-4 0 - 255...

[Page 34](#) Electrical Adjustments Group No. Item Function Range Initial Value 4 Disp Line 0 ~ 1500 5 (Not used) (Not used) 6 (Not used) (Not used) 7 (Not used) (Not used) 8 VSBEG 0 ~ 15 YCbCr (575i) 0 Total Dots * Read only 0 ~ 3000 1 Disp Dots...

[Page 35](#) Electrical Adjustments Group No. Item Function Range Initial Value 6 (Not used) (Not used) 7 (Not used) (Not used) 8 VSBEG 0 ~ 15 YCbCr (1035i) 0 Total Dots * Read only 0 ~ 3000 2200 1 Disp Dots 0 ~ 3000 1872 2 H Back Porch 0 ~ 3000...

[Page 36](#) Electrical Adjustments Group No. Item Function Range Initial Value RGB Video (720P-60) 0 Total Dots * Read only 0 ~ 3000 1650 1 Disp Dots 0 ~ 3000 1250 2 H Back Porch 0 ~ 3000 3 V Back Porch 0 ~ 3000 4 Disp Line 0 ~ 1500...

[Page 37](#) Electrical Adjustments Group No. Item Function Range Initial Value 1 (Not used) (Not used) 2 (Not used) (Not used) 3 (Not used) (Not used) 4 (Not used) (Not used) 5 (Not used) (Not used) 6 (Not used) (Not used) 7 OverScan Over Scan Rate(0~25.5% : 0.1%Step) 0 ~ 255 8 VSBEG...

[Page 38](#) Electrical Adjustments Group No. Item Function Range Initial Value 4 (Not used) (Not used) 5 (Not used) (Not used) 6 (Not used) (Not used) 7 OverScan Over Scan Rate(0~25.5% : 0.1%Step) 0 ~ 255 8 VSBEG 0 ~ 15 HDCP (1080-25psf) 0 (Not used) (Not used) 1 (Not used)

[Page 39](#) Electrical Adjustments Group No. Item Function Range Initial Value 7 (Not used) (Not used) 8 VSBEG 0 ~ 15 RGB-Video (1080P-50) 0 Total Dots * Read only 0 ~ 3000 1878 1 Disp Dots 0 ~ 3000 1366 2 H Back Porch 0 ~ 3000 3 V Back Porch 0 ~ 3000...

[Page 40](#) Electrical Adjustments Group No. Item Function Range Initial Value 10 GAIN target White Level adj. Target Value 0 - 255 11 GAIN torelance White Level Adj. Tolerance Range 1 - 255 Result of Auto Calibration (Maintain Last Adj.) 0: End correctly 12 Auto Status 0 / 1 / 9 (Read only)

[Page 41](#) Electrical Adjustments Group No. Item Function Range Initial Value 3 Noise Region 2 <NSREGIONY2> / <NSREGIONUV2> 0 - 1023 4 Noise Gain Level <NSFILTERY**> / <NSFILTERUV**> 0 - 1023 2:2pull down setting 0 22Film Mode Sensitivity Film Detection Sensitivity <FILMSTVT22> 1 - 5 1 22Film Mode Threshold Low <FILMTHRD22A>...

[Page 42](#) Electrical Adjustments Group No. Item Function Range Initial Value DXOUT [C06h] 0 ~ 1023 [C07h] 0 ~ 1023 [C08h] 0 ~ 1023 Reference for Sample & Hold [C13h:Rxx] 1 ~ 12 [C13h:xGx] 1 ~ 12 [C13h:xxB] 1 ~ 12 Timing Generator 0 ENBX*R 0 ~ 127 1 ENBX*G...

[Page 43](#) Electrical Adjustments Group No. Item Function Range Initial Value Sequential Ghost Correction Coefficient [G] -1024 ~ 1023 5 Sequential Ghost Correction Coefficient [B] -1024 ~ 1023 6 Block Ghost Correction Coefficient [R] -1024 ~ 1023 7 Block Ghost Correction Coefficient [G] -1024 ~ 1023 8 Block Ghost Correction Coefficient [B] -1024 ~ 1023...

[Page 44](#) Electrical Adjustments Group No. Item Function Range Initial Value PW-OSD Test Pattern 0:OFF 1:Crosshatch (White) 2:Crosshatch (Red) 3:Crosshatch (Green) 4:Crosshatch (Blue) 5:Crosshatch (Magenta) 6:Crosshatch (Cyan) 7:Crosshatch (yellow) 8:H-Grayscale (White on Left) 9:H-Grayscale (White on Right) 0 Test Pattern Display 10:V-Grayscale (White on Top) 0 ~ 20 11:V-Grayscale (White on Bottom)

[Page 45: Chassis Description](#)

Chassis Description Block Diagrams Chassis over view -45-...

[Page 46: Input & Video Precessing Stage](#)

Chassis Description Input & video precessing stage -46-...

[Page 47: Lcd Panel Driving Stage](#)

Chassis Description LCD panel driving stage -47-...

[Page 48: Audio Signal Precessing Stage](#)

Chassis Description Audio signal precessing stage DRIVE IC001 IC1652 IC1651 IC1631 <TC4052> <BH3540> <EL2244> <TDA7056> 1,12 INPUT1 AUDIO SP901 Q001 5,14 INPUT2 IC1632 Q002 <TDA7056> AUDIO SP902 2,15 INPUT3 K00D K16S 14,3 K16N K40C K16R K10P MAIN IC281 SC_SCL_S3V PW_SCL_S3V <M62393>...

[Page 49: Lamp Control Stage](#)

Chassis Description Lamp control stage -49-...

[Page 50: Fan Control Stage](#)

Chassis Description Fan control stage K66S FN905 SUB POWER 1,2,5,6 S16V Q6603 D6614 D6611 Q6606 IC6603 <FA7701> D6616 Q6604 FAN_CONT2 K66L FN902 5,6,7,8 Q6601 D6612 Q6608 Q6607 IC6601 FAN_DRIVE <FA7701> K66M P_FAIL FN901 Q6602 FAN_CONT1 Q6609 D6613 K66D FAN2 FAN1 FN904 S16V IC7821...

[Page 51: Motor Control Stage](#)

Chassis Description Motor control stage LENS SHIFT LENS SHIFT CONNECT LENS_TOP IC801 <HD6417727> IC4801 <TE7780> D[0-7] LENS_BOT A[0-4] EXPANDER K16L LENS_UP IC1601 IC1872 <LB1654> BUFFER-SW LENS_SHIFT LENS_DOWN K16M FOCUS FOCUS+ IC1611 <LB1641> FOCUS FOCUS- ZOOM ZOOM+ IC1602 <LB1641> ZOOM ZOOM- K16R MAIN...

[Page 52: Serial Bus Control Stage](#)

Chassis Description Serial bus control stage -52-...

[Page 53: Power Supply Control & Power Failure Detection](#)

Chassis Description Power supply control & power failure detection FAN_PF T651 CONVERTER TRANS. IC5871 IC5872 INPUT EXPANDER INPUT EXPANDER <M62320> <M62320> -53-...

[Page 54: Led Indicators And Projector Condition](#)

Chassis Description LED indicators and projector condition Check the Indicators for projector condition. Indicators Projector LAMP WARNING READY LAMP REPLACE TEMP. green yellow ● ● ● ● The projector is OFF. (The AC Power Cord is unplugged.) ● ○ ○ The projector is READY to be turned on with the POWER ON-OFF button.

[Page 55: Power Failure Detection System](#)

Chassis Description Power failure detection system Detection of Power failure Projector provides a protection circuit to prevent the secondary failure when the power failure, fans failure or temperature failure occurs on the projector. The power failure detection lines "MAIN_S-5V_PF", "GAM_12V_PF", etc. are connected to the main power supplies and fans.

[Page 56: Power Failure Detection Tree](#)

Chassis Description Power failure detection tree DETECTION LINE NAME ERROR INFO. DRIVE BOARD D1604 15.7V * See Error IC1621 M/A_PF M/A,16V Information IC1621 IC1611 IC1602 <LENS SHIFT> <FOCUS> <ZOOM> table on page D1653 10VA IC1652 <VOLUME> D5802 MAIN, 6V MAIN_6V_PF L261 3.3V_AD1 D261...

[Page 57: Error History Log](#)

Error History Log This projector provides the error history log function. To check the logs, you need to enter the service mode and select Group No. "91" and Item No. "0" to "49". The error code is displayed on the Data column. The description of the error code is listed on the table below.

[Page 58: Diagnosis Of Power Failure With Rs-232C Port](#)

Chassis Description Diagnosis of Power Failure with RS-232C port This projector provides a function to get the error information of the projector by using the RS-232C serial port for the power failure diagnosis. The further error information of the power failure and fan failure can be found out by using this function. Diagnosis procedure Connect a RS-232C serial cross cable to SERIAL PORT IN on the projector and serial port on the PC.

[Page 59: Error Information Table](#)

Chassis Description Error information table Signal Name Connection Error Information Failure Area MAIN_6V_PF SUB POWER 6V (MAIN) MAIN, 6V line on Main MAIN_S-5V_PF SUB_POWER S-5V (MAIN) MAIN, S-5V S-5V line on Main MAIN_3.3V_PF SUB_POWER 3.3V (MAIN) MAIN, 3.3V 3.3V line on Main IC5871 AD_3.3V_PF AD9882 3.3V...

[Page 60: Control Port Functions](#)

Control Port Functions System Control & I/O Port Table Function Name Function Pol. Action CPU(SH7727) (IC801) 1 1.9V Power for RTC(1.9V) 2 (Not used) X'TAL for built-in RTC (Open) 3 1.9V X'TAL for built-in RTC (Vcc) 4 GND Power for RTC(0V) 5 MD1 Clock Mode Setting [Default:L] Switch...

[Page 61](#) Control Port Functions Function Name Function Pol. Action 63 A2 Address Bus 64 GND Power for Input/Output(0V) 65 A3 Address Bus 66 3.3V Power for Input/Output(3.3V) 67 A4 Address Bus 68 A5 Address Bus 69 A6 Address Bus 70 A7 Address Bus 71 A8 Address Bus...

[Page 62](#) Control Port Functions Function Name Function Pol. Action 128 CKE CK Enable(SDRAM) 129 RAS3 SDRAM RAS 130 SH_EEP_WP EEPROM Write Protect H: Write Disable L: Write Enable 131 CAS SDRAM CAS 132 GND Power for Input/Output(0V) 133 STB_GAM_WP Control for Digital Gamma IC (3 line Serial Strobe) Select L 134 3.3V Power for Input/Output(3.3V)

[Page 63](#) Control Port Functions Function Name Function Pol. Action 193 (Not used) SIOF Send

Data/Output Port for SCI (Open) 194 (Not used) SIOF Clock In/IO Port for SCI (Pull-up) 195
SH_EX_UART Send Data2 [External] 19200bps or 9600bps 196 (Not used) SIOF Clock/IO Port for
SCI (Pull-up) 197 (Not used) SIOF Frame Sync/IO Port for SCI...

[Page 64](#) Control Port Functions Function Name Function Pol. Action 16 TEMP_LED_EX Temp.
LED Drive L: On, H: Off 17 LAMP_REPLACE_LED_EX Lamp Replace LED Drive L: On, H: Off 18
PJ_UPDATE_EX Write Forcely for PJ-Net Board L: Write 19 (Not used) 20 (Not used) 21 W-SW
Wired RC Detection L: Wired RC Connected...

[Page 65](#) Control Port Functions Function Name Function Pol. Action IIC Bus I/O Expander
(M62320FP) (IC5871) 1 Serial Data Output (Not Connected) 2 SH_SCL_S5V 3 SH_SDA_S5V 4
MAIN_6V_PF Power Fail Detection (6V) MAIN L: Error 5 MAIN_S-5V_PF Power Fail Detection (S-5V)
MAIN L: Error 6 MAIN_3.3V_PF Power Fail Detection (3.3V) MAIN...

[Page 66](#) Control Port Functions Function Name Function Pol. Action IIC Bus 8Bits 8ch 12V-D/A
Converter(M62399FP) (Fan Control - IC7801) 1 Reset Input 2 IIC BUS SCL 3 IIC BUS SDA 4
FAN_CONT1 Control for FAN_E (Panel) 0:FAN Max255:FAN Min 5 FAN_CONT2 Control for FAN_F
(Exhust) 0:FAN Max255:FAN Min 6 FAN_6_DRIVE...

[Page 67: Cleaning](#)

Cleaning After long periods of use, dust and other particles will accumulate on the LCD panel,
prism, mirror, polarized glass, lens, etc., causing the picture to darken or color to blur. If this
occurs, clean the inside of optical unit. Remove dust and other particles using air spray.

[Page 68: Ic Block Diagrams](#)

IC Block Diagrams ● AD8183, AD8185 <Selector, IC3001, IC2002> ● AD9882 <AV A/D,
IC8201> -68-...

[Page 69](#) IC Block Diagrams ● BA7078 <Sync Separator, IC3007> ● BH3540 <Audio Amplifier,
IC1652> -69-...

[Page 70](#) IC Block Diagrams ● FA5502 <P.F. Control, IC601> ● L3E06110 <S&H, IC501,
IC531, IC561> -70-...

[Page 71](#) IC Block Diagrams ● L3E07090 <Digital Gamma Correction, IC401> ● LB1641
<Motor Drive, > IC1602, IC1611 -71-...

[Page 72](#) IC Block Diagrams ● LB1645 <Motor Drive, > IC1631 ● M62320 <I/O Expander,
IC5871, IC5872> -72-...

[Page 73](#) IC Block Diagrams ● M62393 <D/A, IC281> ● M62399 <D/A, IC1501, IC7801> -73-
...

[Page 74](#) IC Block Diagrams ● PW388 <Scan Converter & System Control, IC301> ● SP3232
<RS-232C Driver, IC3801> -74-...

[Page 75](#) IC Block Diagrams ● STR-Z2156A <Power Switching Control, IC651> ● TDA7056
<Audio Output, IC1631, IC1632> -75-...

[Page 76](#) IC Block Diagrams ● TE7780 <I/O Expander, IC4801> -76-...

[Page 77: Electrical Parts List](#)

MB4-7500, MB4-75L00 Electrical Parts List Product safety should be considered when a
component replacement is made in any area of a projector. Components indicated by a mark in
this parts list and the circuit diagram show components whose value have special significance
to product safety.

[Page 78](#) MB4-7500, MB4-75L00 Electrical Parts List Note: Parts order must contain Chassis
No., Part No., and Descriptions. ● OUT OF CIRCUIT BOARD RC1 Board Sensor1 Board FN901
Cooling Fan FN904 Cooling Fan Drive Board Power Board Sub Power Main Board Board Lamp
Ballast FN902 Unit...

[Page 79](#) MB4-7500, MB4-75L00 Electrical Parts List Key No. Key No. Part No. Part No. Description Description Key No. Key No. Part No. Part No. Description Description D6871 307 223 0514 ZENER DIODE 02DZ12Y(TPH3) D6872 307 223 0514 ZENER DIODE 02DZ12Y(TPH3) ASSEMBLIED BOARDS D6881 307 223 0514 ZENER DIODE 02DZ12Y(TPH3)

[Page 80](#) MB4-7500, MB4-75L00 Electrical Parts List Key No. Key No. Part No. Part No. Description Description Key No. Key No. Part No. Part No. Description Description 305 173 9915 TR 2SC3928A1S 305 015 8727 TR 2SC2812-L6-TB Q1553 305 045 8728 TR 2SK536-TB 305 015 8925 TR 2SC2812-L7-TB Q1554...

[Page 81](#) MB4-7500, MB4-75L00 Electrical Parts List Key No. Key No. Part No. Part No. Description Description Key No. Key No. Part No. Part No. Description Description Q264 305 134 5928 TR 2SA1037AK-T146-R 305 015 8925 TR 2SC2812-L7-TB 305 147 2218 TR 2SA1037AK-S-T146 305 163 1615 TR 2SC2812N-L6-TB0 305 002 0311...

[Page 82](#) MB4-7500, MB4-75L00 Electrical Parts List Key No. Part No. Description Key No. Part No. Description 305 173 9915 TR 2SC3928A1S IC1814 309 481 8615 IC LM76CHMX-5 Q7841 305 014 4512 TR 2SC2412K T146 R IC1816 309 481 8615 IC LM76CHMX-5 305 014 4611 TR 2SC2412K T146 S IC1831...

[Page 83](#) MB4-7500, MB4-75L00 Electrical Parts List Key No. Part No. Description Key No. Part No. Description 310 616 6007 IC EDS6416AHTA-6B-E C1531 303 398 5415 ELECT 47U M IC9204 309 400 7118 IC TC7W53FU-(TE12L) C1532 303 164 0237 CERAMIC 0.1U Z IC9292 309 583 8117 IC SI-3018LSA-TL...

[Page 84](#) MB4-7500, MB4-75L00 Electrical Parts List Key No. Part No. Description Key No. Part No. Description C265 303 358 3215 CERAMIC 10U K 6.3V C3285 303 283 6332 CERAMIC 1U Z 303 368 7319 CERAMIC 10U K 6.3V C3287 303 283 6332 CERAMIC 1U Z C266...

[Page 85](#) MB4-7500, MB4-75L00 Electrical Parts List Key No. Part No. Description Key No. Part No. Description C3563 303 164 0237 CERAMIC 0.1U Z C443 303 164 0237 CERAMIC 0.1U Z C3564 303 164 0237 CERAMIC 0.1U Z C4431 303 358 3215 CERAMIC 10U K 6.3V...

[Page 86](#) MB4-7500, MB4-75L00 Electrical Parts List Key No. Part No. Description Key No. Part No. Description C495 303 391 5818 ELECT 100U M 6.3V C5871 303 164 0237 CERAMIC 0.1U Z C496 303 391 5818 ELECT 100U M 6.3V C5872 303 164 0237 CERAMIC 0.1U Z C501...

[Page 87](#) MB4-7500, MB4-75L00 Electrical Parts List Key No. Part No. Description Key No. Part No. Description C814 303 164 0237 CERAMIC 0.1U Z C9211 303 164 0237 CERAMIC 0.1U Z C815 303 164 0237 CERAMIC 0.1U Z C9212 303 164 0237 CERAMIC 0.1U Z C816...

[Page 88](#) MB4-7500, MB4-75L00 Electrical Parts List Key No. Part No. Description Key No. Part No. Description C9289 303 157 3317 CERAMIC 68P J R1523 301 105 5314 MT-GLAZE 4.7K JA 1/16W C9291 303 403 3214 NP-ELECT 47U M 6.3V R1524 301 105 5314 MT-GLAZE 4.7K JA 1/16W C9292...

[Page 89](#) MB4-7500, MB4-75L00 Electrical Parts List Key No. Part No. Description Key No. Part No. Description R1692 301 105 2610 MT-GLAZE 22 JA 1/16W R2202 301 105 1613 MT-GLAZE 15K JA 1/16W R1693 301 105 2610 MT-GLAZE 22 JA 1/16W R2203 301 105 1613 MT-GLAZE 15K JA 1/16W...

[Page 90](#) MB4-7500, MB4-75L00 Electrical Parts List Key No. Part No. Description Key No. Part No. Description R283 301 105 0319 MT-GLAZE 10 JA 1/16W R332 301 105 7912 MT-GLAZE 0.000 ZA 1/16W R284 301 105 0616 MT-GLAZE 10K JA 1/16W R334 301 105 7912 MT-GLAZE 0.000 ZA 1/16W...

[Page 91](#) MB4-7500, MB4-75L00 Electrical Parts List Key No. Part No. Description Key No. Part No. Description R393 301 105 0319 MT-GLAZE 10 JA 1/16W R4454 301 105 0319 MT-GLAZE 10 JA 1/16W R394 301 105 0319 MT-GLAZE 10 JA 1/16W R4455 301 105 7912 MT-GLAZE 0.000 ZA 1/16W...

[Page 92](#) MB4-7500, MB4-75L00 Electrical Parts List Key No. Part No. Description Key No. Part No. Description R4719 301 105 7912 MT-GLAZE 0.000 ZA 1/16W R4859 301 105 0418 MT-GLAZE 100 JA 1/16W R472 301 105 0319 MT-GLAZE 10 JA 1/16W R4861 301 105 0616 MT-

GLAZE 10K JA 1/16W...

[Page 93](#) MB4-7500, MB4-75L00 Electrical Parts List Key No. Part No. Description Key No. Part No. Description R541 301 105 7912 MT-GLAZE 0.000 ZA 1/16W R5842 301 105 6618 MT-GLAZE 6.8K JA 1/16W R542 301 105 0418 MT-GLAZE 100 JA 1/16W R5843 301 105 4119 MT-GLAZE 3.3K JA 1/16W...

[Page 94](#) MB4-7500, MB4-75L00 Electrical Parts List Key No. Part No. Description Key No. Part No. Description R6766 301 105 7912 MT-GLAZE 0.000 ZA 1/16W R8043 301 105 0616 MT-GLAZE 10K JA 1/16W R6767 301 105 7912 MT-GLAZE 0.000 ZA 1/16W R8044 301 105 0616 MT-GLAZE 10K JA 1/16W...

[Page 95](#) MB4-7500, MB4-75L00 Electrical Parts List Key No. Part No. Description Key No. Part No. Description R8226 301 105 0418 MT-GLAZE 100 JA 1/16W R896 301 105 7912 MT-GLAZE 0.000 ZA 1/16W R823 301 105 7912 MT-GLAZE 0.000 ZA 1/16W R898 301 105 5215 MT-GLAZE 470 JA 1/16W...

[Page 96](#) MB4-7500, MB4-75L00 Electrical Parts List Key No. Part No. Description Key No. Part No. Description R9283 301 230 2516 MT-GLAZE 1K FA 1/16W RB456 945 034 5051 R-NETWORK 22X4 1/32W R9284 301 105 7912 MT-GLAZE 0.000 ZA 1/16W RB457 945 034 5051 R-NETWORK 22X4 1/32W R9285 301 105 7912...

[Page 97](#) MB4-7500, MB4-75L00 Electrical Parts List Key No. Part No. Description Key No. Part No. Description RB9214 945 036 0979 R-NETWORK 10KX4 1/32W D3401 307 149 0810 DIODE 1SS355-TE-17 RB9216 945 036 0979 R-NETWORK 10KX4 1/32W D3402 307 149 0810 DIODE 1SS355-TE-17 RB9217 945 036 0979 R-NETWORK 10KX4 1/32W...

[Page 98](#) MB4-7500, MB4-75L00 Electrical Parts List Key No. Part No. Description Key No. Part No. Description 305 014 4611 TR 2SC2412K T146 S 305 015 8925 TR 2SC2812-L7-TB 305 015 8727 TR 2SC2812-L6-TB 305 163 1615 TR 2SC2812N-L6-TB0 305 015 8925 TR 2SC2812-L7-TB 305 173 9816 TR 2SC3928A1R...

[Page 99](#) MB4-7500, MB4-75L00 Electrical Parts List Key No. Part No. Description Key No. Part No. Description C006 303 157 3614 CERAMIC 100P J C3029 303 164 0217 CERAMIC 0.1U Z C007 303 157 3614 CERAMIC 100P J C3031 303 233 3811 CERAMIC 10P C C008...

[Page 100](#) MB4-7500, MB4-75L00 Electrical Parts List Key No. Part No. Description Key No. Part No. Description R041 301 105 0616 MT-GLAZE 10K JA 1/16W R2081 301 105 7912 MT-GLAZE 0.000 ZA 1/16W R042 301 105 0616 MT-GLAZE 10K JA 1/16W R2082 301 105 0616 MT-GLAZE 10K JA 1/16W...

[Page 101](#) MB4-7500, MB4-75L00 Electrical Parts List Key No. Part No. Description Key No. Part No. Description R3084 301 105 7912 MT-GLAZE 0.000 ZA 1/16W DIODE R3086 301 105 0517 MT-GLAZE 1K JA 1/16W D001 307 149 0810 DIODE 1SS355-TE-17 R3087 301 105 0517 MT-GLAZE 1K JA 1/16W D1001...

[Page 102](#) MB4-7500, MB4-75L00 Electrical Parts List Key No. Part No. Description Key No. Part No. Description 305 015 8925 TR 2SC2812-L7-TB SC8701 645 076 3502 SURGE-ABSORBER 305 163 1615 TR 2SC2812N-L6-TB0 SC8702 645 076 3502 SURGE-ABSORBER 305 173 9816 TR 2SC3928A1R SC8703 645 076 3502 SURGE-ABSORBER...

[Page 103](#) MB4-7500, MB4-75L00 Electrical Parts List Key No. Part No. Description Key No. Part No. Description 305 173 9816 TR 2SC3928A1R C6668 303 164 0217 CERAMIC 0.1U Z 305 173 9915 TR 2SC3928A1S C6671 303 164 0217 CERAMIC 0.1U Z Q6622 305 014 4512 TR 2SC2412K T146 R C6672...

[Page 104](#) MB4-7500, MB4-75L00 Electrical Parts List Key No. Part No. Description Key No. Part No. Description R6694 301 332 6016 MT-GLAZE 0.056 JA 1/2W C1603 303 149 9211 CERAMIC 0.01U Z R6696 301 105 2818 MT-GLAZE 2.2K JA 1/16W C1604 303 399 2126 ELECT 220U M R6697...

[Page 105](#) MB4-7500, MB4-75L00 Electrical Parts List Key No. Part No. Description Key No. Part No. Description R1685 301 105 4713 MT-GLAZE 39K JA 1/16W 305 002 6729 TR 2SA1179-M6-TB R1686 301 105 0616 MT-GLAZE 10K JA 1/16W 305 002 6927 TR 2SA1179-M7-TB R1687

301 105 4119 MT-GLAZE...

[Page 106](#) MB4-7500, MB4-75L00 Electrical Parts List Key No. Part No. Description Key No.
Part No. Description R602 301 242 3914 MT-GLAZE 240K JA 1/2W R690 301 105 0319 MT-GLAZE
10 JA 1/16W R603 301 242 3914 MT-GLAZE 240K JA 1/2W R691 301 105 3310 MT-GLAZE 2.7K JA
1/16W...

[Page 107](#) MB4-7500, MB4-75L00 Electrical Parts List Key No. Part No. Description Key No.
Part No. Description 610 293 6384 CUSHION BTM-MA8A 610 293 6391 CUSHION TOP-MA8A 645
084 8643 POLY BAG-0700X0600*NC ACCESSORIES OWNER'S MANUAL 610 324 1739 OWNERS
MANUAL-M4YA 645 084 1132 CD-ROM,OWNERS MANUAL-M4YA REMOTE CONTROL 645 079
4056...

[Page 108: Mechanical Parts List](#)

MB4-7500, MB4-75L00 Note: Parts order must contain Chassis No., Part No., and Descriptions.
Cabinet Parts Location C08-a C04-a C04-b -108-...

[Page 109: Optical Parts Location](#)

MB4-7500, MB4-75L00 Mechanical Parts List Optical Parts Location Projection Lens * PLV-75 only
L01-a L01-b M01-a M01-b -109-...

[Page 110](#) MB4-7500, MB4-75L00 Mechanical Parts List Part No. Polarized Grass 5 * * Film
side Part No. Optical Filter(WV) 5 * * Film side -110-...

[Page 111](#) MB4-7500, MB4-75L00 Mechanical Parts List Prism/LCD Panel Ass'y L03-a:Red L03-
b:Green L03-c:Blue (Polarized Glass) L03-d:Red L03-e:Green L03-f:Blue (Optical Filter(WV))
Condenser Lens (Out) -111-...

[Page 112](#) MB4-7500, MB4-75L00 Mechanical Parts List Optical Unit CAUTION: Part must be
placed in specified direction when replacing the optical parts. Please see "Optical Parts
Disassemblies" for further instructions. -112-...

[Page 113: Mecanical Parts List](#)

ASSY,PANEL NET B-MA8AA 910 293 6132 MOUNTING SHAFT-MA8A Note: 610 293 6162
MOUNTING POW BTM-MA8A Key No. C07, S03 and L01 are only for model PLV-75. 610 299 5381
MOUNTING POW TOP-MA8AA 610 309 7701 MOUNTING DUCT TOP-MR3A 610 293 6209...

[Page 114](#) SANYO Electric Co., Ltd. (MB4A) Jul. 2006 DC 350 Printed in Japan...

[Page 115: Diagrams & Drawings](#)

PLV-75L MB4-75L00 These schematic diagrams and printed wiring board drawings are part of
the service manual original for chassis No. MB4-7500, MB4-75L00, models PLV-75 and PLV-75L.
File with the service manual No. SM5110756-00. Note: All the information of part numbers and
values indicated on these diagrams are at the beginning of production.

[Page 116: Parts Description And Reading In Schematic Diagram](#)

MB4-7500, MB4-75L00 Parts description and reading in schematic diagram 1. The parts
specification of resistors, capacitors and Resistor Reading coils are expressed in designated
code. Please check Example 1/2 D J 10K B the parts description by the following code table. 2.

[Page 117](#) MB4-7500, MB4-75L00 Pin description of diode, transistor and IC ● Diode ● Diode
K: Cathode A: Anode ● Transistor/FET ● Transistor/FET C: Collector D: Drain B: Base G: Gate
Index E: Emitter S: Source C1 C2 C1 C2 ● IC ●...

[Page 118](#) Diagrams & Drawings (MB4-7500, MB4-75L00)

[Page 119: Schematic Diagrams](#)

Schematic Diagrams FILTER K911P K911S J11MC DRIVE J11MB 020N 020N POWER C6601 Q6603
K16N R6601 R6631 25EM L6601 J10EP 1/16 1/16 SP901 4701X R6602 C6603 L2PN R6632
C6622 TXXAVB012G 041G L6602 POWER FACTOR CORRECTION 1/16GJ 330MG 1/16GJ R6656

IC1631 A10B 10MC 10MC L2PJ...

[Page 120](#) S-5V R3043 R3042 1/8GZ000 INPUT1/2-SW 1/8GZ000 INPUT1 K40A K30A J10EG095G IC4001 R3004 J11B0990N 1/16GZ0C C3001 R3023 BA05FP SC3001 L3001 6.3PM47DK 1/16GJ100C K30A-G1 Z30B0220G K40A-G1 IN0A R3001 R3011 R3019 K40A-S6V R3006 C3011 1/16GJ15KC 1/3GJ75 1/16GZ0C C3002 25KZ C4004 SC3002 R3024 R3044 L3002 1/16GJ100C 0.1GQF...

[Page 121](#) NTH01 NTH03 SCREW_14 SCREW_14 8 9 10 11 12 13 14 8 9 10 11 12 13 14 NTH02 NTH04 SCREW_14 SCREW_14 C8211 R8203 R8204 IC8051 8 9 10 11 12 13 14 8 9 10 11 12 13 14 5VDVI2 1/16GF K10A...

[Page 122](#) TO:ICE IC3251 TC74ACT541FT S3.3V IC1301 S3.3V R3250 S2.5V_PW R1339 TE1301 1/16GJ10KC EDD2516AKTA PW_SYS_SW 1/16GJ J30B1640G 10KC SWI301 ROMWE R1338 C1301 IC1306 C3251 1/16GJ1KC TP1302 C1302 6.3KK10BA MMD0 25KZ0.1 R3251 K1301 25KZ0.1 ;6.3KK10MB PQ070XZ02ZP S1.8V_PW ICE_RESET GQFZ 1/16GZ0C R1314 GQFZ R1351 R1333 DQ15 MMD[15]...

[Page 123](#) SDRAM IC3411 MSM56V16160F IC3401 3.3V_FPGA C3411 R6717 25KZ0.1 C3418 IC6701 PQ05VY3H3ZP GQFZ 6.3KK10BA K6701B ;6.3KK10MB C6701 TP_SCSDA NIOS_DQ[0] DQ15 NIOS_DQ[15] R6714 R6719 R6701 FPGA1.5V NIOS_DQ[1] DQ14 NIOS_DQ[14] 1/16GZ R6718 1/16GZ0C VSSQ VSSQ SC_SDA_S3V PW_SCL_S3V SC_SDA_S3V R6702 C3401 NIOS_DQ[2] DQ13 NIOS_DQ[13] PW_SDA_S3V SC_SCL_S3V SC_SCL_S3V...

[Page 124](#) 15.5V TPREF_B R524 TPREF_B R3509 1/16GZ0C 1/8GZ000 TPNRSB J30B1640G R523 TPNRSA 1/16GZ0C B_V1 TPV1B C3509 15.5V K35B C1621 FROM IC1501(DAC) 25EM4.71V REF_B J11EA361G 25KZ TPV1B 0.1GQFZ TE3501 J30B1640G J30B1640G IC1621 BO[0-9] R1621 R1622 C1622 SHCLKB 25KZ0.1GQFZ IC1601 16EM FROM IC401 XFRB STSQOB 1001V...

[Page 125](#) LENS SUB POWER SUB POWER SUB POWER SUB POWER CONTROL SENSOR1 SHIFT DRIVE "K66F" "K66E" "K66D" "K66H" TEMP-SENSOR "K9C" "K68A" "K16I" "K16R" K47A TO:SH3 JTAG J10EG135G R1826 J11B4050G 1/16GZ0C J10EP131G J10EP121G SH_SDA_S5V J10EG105G C1813 J10EP041G R1827 IC1816 25KZ 1/16GZ0C J10EG095G J10EG065G 0.1GQFZ K47A_G...

[Page 126](#) K87A J10EP041G Q8701 5VOUT C8704 2SA1203Y 10EM1003T 5VOUT D8707 R8701 K87C K8707 R8721 D1FM3G 1GZ0 25KZ0.1GQF 1GZ0 3.3VOUT J10B1810N R5853 D8706 D8708 3.3V K87-S5V 1/16GJ100C POWER 3.3V D1FM3G D1FM3G K87C-13 "K66N" C8711 Q8702 K87C-25 6.3KM47PCH K87C-12 K87C-24 K87-GND R5854 K87C-11 P-FAIL_PJ K87C-23 1/16GJ...

[Page 127: Printed Wiring Board Diagrams](#)

Printed Wiring Board Diagrams ! CAUTION This projector is isolated from AC line by using the internal converter transformer. Please pay attention to the following notes in servicing FILTER (SIDE:A) FILTER (SIDE:B) 1. Do not touch the part on hot side (primary circuit) or both parts on hot and cold sides (secondary circuit) at the same time.

[Page 128](#) MAIN (SIDE:A) LENS SHIFT RC FRONT SUB POWER SUB POWER CONNECT CONTROL "K68A" "K2811A" "K66E" "K66D" "K9C" R7805 R3569 C3561 FN904 TPFN4 FAN1 R_LCCOM IC501 C5884 B-LCD PANEL TP_NRSR C3563 R-LCD PANEL RB562 RB563 FAN2 R502 RB561 IC1851 R501 D5802 TPREF_B R5855 R7821...

[Page 129](#) MAIN (SIDE:B) LAMP BALLAST UNIT "K7B" SUB POWER "K66F" SENSOR1 "K16I" R517 R516 C7808 R514 RB504 C5804 C5803 C7823 DRIVE "K16R" R513 R7831 R512 R511 C503 R507 C527 R506 R7828 R504 C502 R7827 C574 R500 C573 R5860 C7831 R1869 C7822 C505 R1863 Q1861...

[Page 130](#) POWER (SIDE:A) DRIVE (SIDE:A) DRIVE "CN16C" LAMP BALLAST UNIT "K7A" FILTER "K6AB" SPEAKERS MAIN (LIVE HEATSINK) "K10D" "K8T" CAUTION: C609 K6AC CN6C C608 SHOCK HAZARD. PTH601 TEST BEFORE TOUCHING L681 DS601 K16R DB601 K16N DS602 R1672 R699 C692 C607 FB601 R1671 C691 ZOOM/...

[Page 131](#) SUB POWER (SIDE:A) SUB POWER (SIDE:B) FN901 CONNECT POWER "K66Q" "CN6A" "K40A" FN902 K66G K66S K66M K66L C6677 C6674 C6672 C6636 C6640 D6603 MAIN "K8D" C6624 D6601 L6602 D6602 C6601 C6652 MAIN "K8G" C6657 C6659 D6606 D6604 I/F

"K87A" C6681 MAIN "K8E"...

[Page 132](#) A/V (SIDE:A) A/V (SIDE:B) DRIVE "K16S" SUB POWER "K66G" C3080 "K10P" "K10Q"
"K10R" MAIN I/F (SIDE:A) I/F (SIDE:B) 5VOUT D8708 SUB POWER D8707 R8721 R8701 "K66N"
D8706 R5853 Q8702 R5854 3.3VOUT D8701 R8706 C8708 R8704 C8704 R8713 MAIN "K8Z"
R8712 C8711 C8712 R8717...

This manual is also suitable for:

[Plv-75l](#)