

Dimensional Data - Sanyo SPW- XR253GH56 Technical Data & Service Manual

1
2
Table Of Contents
3
4
5
6
7
8
9
10
11
12
13
14
15
16
17

18
19
20
21
22
23
24
25
26
27
28
29
30
31
32
33
34
35
36
37
38
39
40
41
42
43
44
45
46
47
48
49
50
51
52
53
54
55
56
57
58
59
60
61
62
63
64
65
66
67

68
69
70
71
72
73
74
75
76
77
78
79
80
81
82
83
84
85
86
87
88
89
90
91
92
93
94
95
96
97
98
99
100
101
102
103
104
105
106
107
108
109
110
111
112
113
114
115
116
117

118
119
120
121
122
123
124
125
126
127
128
129
130
131
132
133
134
135
136
137
138
139
140
141
142
143
144
145
146
147
148
149
150
151
152
153
154
155
156
157
158
159
160
161
162
163
164
165
166
167

168
169
170
171
172
173
174
175
176
177
178
179
180
181
182
183
184
185
186
187
188
189
190
191
192
193
194
195
196
197
198
199
200
201
202
203
204
205
206
207
208
209
210
211
212
213
214
215
216
217

218
219
220
221
222
223



•

[Table of Contents](#)

-

Troubleshooting

•

Bookmarks



1-4 Dimensional Data

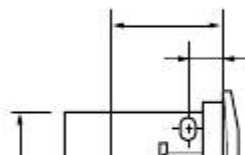
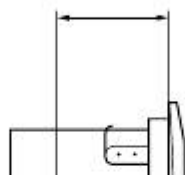
(A) Indoor Units : 4-Way Air Discharge Semi-concealed Type

820 (Ceiling opening)

590 (Suspension bolt pitch)

25 Type

207



61
342
15
205
61
50

150
255
298
30
205
165
48
125
207

Air intake grille

Air outlet

Refrigerant liquid line [\varnothing 9.52 (In case of 25 type, use the tube connector.)]

Refrigerant gas line
 \varnothing 12.7: 12 type, \varnothing 15.88: 18, 25 type

Drain connection

Power supply entry

For discharge duct

Humidifier (option) mounting hole

Suspension bolt mounting

9

I - 60

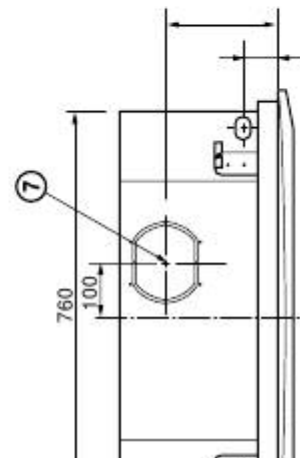
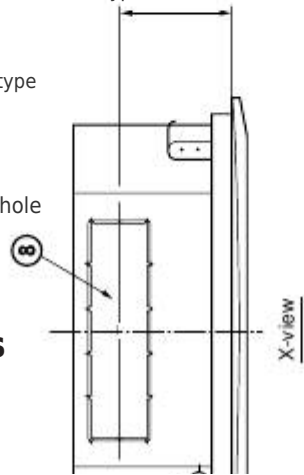
1. Specifications

860

500

1488_X_I

SM830080



[Table of Contents](#)

[Previous Page](#)
[Next Page](#)

1
...
62
63
64
65
66
67
68
69

Quick Links:

[Specifications](#)

[Unit Specifications](#)

[\(A\) Indoor Units](#)

[\(B\) Outdoor Units](#)

Troubleshooting

[Troubleshooting](#) 168

[General Troubleshooting Flow Chart: Diagnosis and Remedy](#) 171

Related Manuals for Sanyo SPW-XR253GH56

[Air Conditioner Sanyo SPW-X253GH56 Service Manual](#)

Split system (105 pages)

[Air Conditioner Sanyo SPW-X483GH56 Installation Instruction](#)

Eco multi system air conditioner (91 pages)

[Air Conditioner Sanyo SPW-C256VH Technical Data & Service Manual](#)

4-way air discharge semi-concealed wall-mounted ceiling-mounted concealed-duct (517 pages)

[Air Conditioner Sanyo Big PACi 18 Series Technical Data & Service Manual](#)

Big pack i dc inverter (275 pages)

[Air Conditioner Sanyo SPW-X253G56 Service Manual](#)

Split system (72 pages)

[Air Conditioner Sanyo 2-WAY ECO-i SPW-C0705DXHN8 Service Manual](#)

Multi system (143 pages)

[Air Conditioner Sanyo SPW-XR254EH56 Installation And Operation Manual](#)

Dc inverter air conditioner (40 pages)

[Air Conditioner Sanyo Mini ECO-i SPW-ASR74GXH56\(A/B\) Installation Instructions Manual](#)

System air conditioner (49 pages)

[Air Conditioner Sanyo SPW-UMR74EXH56 Technical Data & Service Manual](#)

Split system air conditioner (38 pages)

[Air Conditioner Sanyo ECO G SGP-EGW190M2G2W Brochure & Specs](#)

Gas driven vrf m series (9 pages)

[Air Conditioner Sanyo SPW-C1155DXHN8 Technical Data & Service Manual](#)

2-way eco-i multi system (242 pages)

[Air Conditioner Sanyo MINI ECO-i SPW-CR365GXH56B Service Manual](#)

(252 pages)

[Air Conditioner Sanyo SPW-FTR124EH56 Installation And Operation Manual](#)

Dc inverter air conditioner for refrigerant r410a (32 pages)

[Air Conditioner Sanyo SPW-CR365GXH56 Technical Data Manual](#)

Mini eco-i system (346 pages)

[Air Conditioner Sanyo SPW-C0705DZH8 Technical Data Manual](#)

3-way eco-i multi system 5 series (703 pages)

[Air Conditioner Sanyo SPW-CR1503GDYH8 Technical Data & Service Manual](#)

W-eco multi system series (377 pages)

Related Content for Sanyo SPW-XR253GH56

[SAP-K71GJA-S Dimensional Data](#)

Sanyo SAP-K71GJA-S

[SA-58S5 Dimensional Data](#)

Sanyo SA-58S5

[SAP-K71GJHA Dimensional Data](#)

Sanyo SAP-K71GJHA

[KHS1232 Dimensional Data](#)

Sanyo KHS1232

[STW-2 Series Dimensional Data](#)

Sanyo STW-2 Series

[SAP-C302AH-S Dimensional Data](#)

Sanyo SAP-C302AH-S

[SA-79G Dimensional Data](#)

Sanyo SA-79G

[ECO-i AHX0752 Dimensional Data](#)

Sanyo ECO-i AHX0752

This manual is also suitable for:

[Spw-xr363gh56Spw-xr483gh56Spw-tr253gh56Spw-tr363gh56Spw-tr483gh56Spw-ur253ghn56](#) ... [Show all](#)