

Ball Screw Spline Unit Location; Greasing Ball Screw Spline Unit And Applying Anticorrosive - Toshiba THL Series Instruction Manual

Industrial robot

1
2
3
4
5
6
Table Of Contents
7
8
9
10
11
12
13
14
15
16
17

18
19
20
21
22
23
24
25
26
27
28
29
30
31
32
33
34
35
36
37
38
39
40
41
42
43
44
45
46
47
48
49
50
51
52
53
54
55
56
57
58
59
60
61
62
63
64
65
66
67

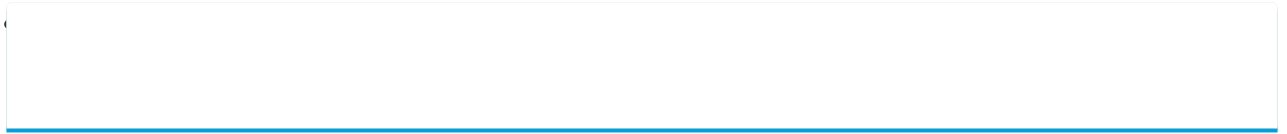
68
69
70
71
72
73
74
75
76
77
78
79
80
81
82
83
84
85
86
87
88
89
90
91
92
93
94
95
96
97
98
99
100
101
102
103
104
105
106
107
108
109
110
111
112
113
114
115
116
117

118
119
120
121
122
123
124
125
126
127
128
129
130
131
132
133
134
135
136
137
138
139
140
141
142
143
144
145
146
147
148
149
150
151
152
153
154
155
156
157
158
159
160
161
162
163
164
165
166
167

168
169
170
171
172
173
174
175
176
177
178
179
180
181
182
183
184
185
186
187
188
189
190
191
192
193
194
195
196
197
198
199
200
201
202
203
204
205
206
207
208
209
210
211
212
213
214
215
216
217

218
219
220
221
222
223
224
225
226
227
228
229
230
231
232
233
234
235
236
237
238
239
240
241
242
243
244
245
246
247
248
249
250
251
252
253
254
255
256
257
258
259
260
261
262
263
264
265
266
267

268
269
270
271
272
273
274
275
276
277
278
279
280



•

•

Bookmarks



4.6.2

Ball Screw Spline Unit Location

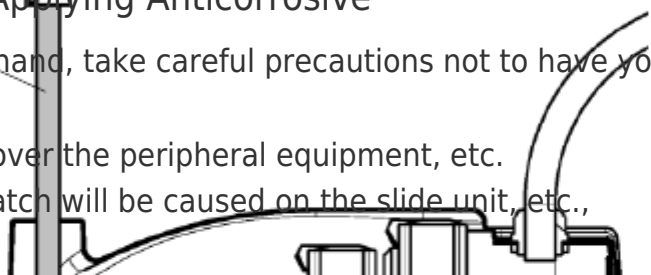
Ball screw spline unit

Fig. 4.40 Ball screw spline unit location (THL800, THL900, THL1000)

4.6.3

Greasing Ball Screw Spline Unit and Applying Anticorrosive

- When vertically moving the ball screw by hand, take careful precautions not to have your hand or finger caught.
- As there is a fear that the grease drops, cover the peripheral equipment, etc.
- When the grease has run short, cut or scratch will be caused on the slide unit, etc., resulting



in drop of the performance. To avoid this, take careful precautions to prevent shortage of the grease.

- Be sure to use the grease designated by Toshiba Machine.
- Apply anticorrosive when dried up. If anticorrosive is not applied in such a case, rust will be generated on the ball screw spline unit.
- Never touch the ball screw spline shaft with a bare hand. If you touch it with a bare hand, earlier rust formation may result. Be sure to use gloves.

!

CAUTION

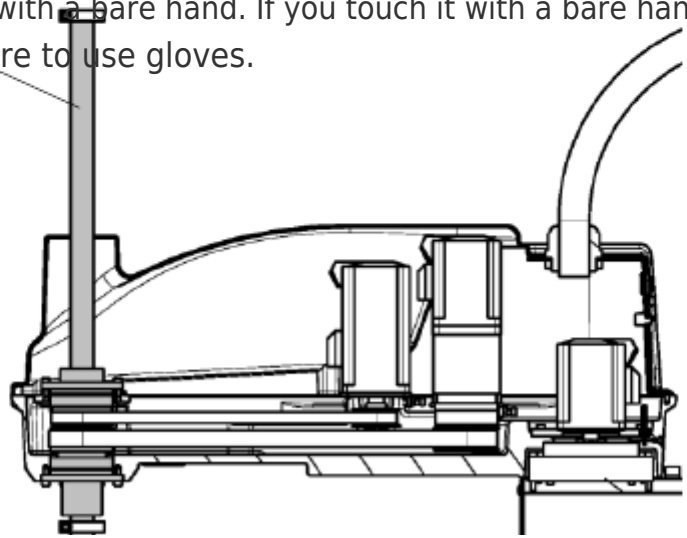
!

CAUTION

175

MAINTENANCE MANUAL

STE 85357



[Table of Contents](#)

[Previous Page](#)
[Next Page](#)

1

...

174

175

176

177

Quick Links:

[Table of Contents](#)

[Maintenance](#)

Related Manuals for Toshiba THL Series

[Robotics Toshiba THL Series Instruction Manual](#)

Industrial robot (255 pages)

[Robotics Toshiba THL Series Instruction Manual](#)

Industrial robot, robot controller (29 pages)

[Robotics Toshiba SR Series Instruction Manual](#)

Cassette transfer robot (38 pages)

[Robotics Toshiba TCR Series Instruction Manual](#)

(40 pages)

[Robotics Toshiba TH850A Instruction Manual](#)

Industrial robot (51 pages)

[Robotics Toshiba THP550-IP Instruction Manual](#)

Dust- & drip-proof type industrial robot (51 pages)

[Robotics Toshiba TH450A Instruction Manual](#)

Industrial robot (76 pages)

[Robotics Toshiba TH180 Instruction Manual](#)

Industrial robot (95 pages)

[Robotics Toshiba TH450A-CRB Instruction Manual](#)

Industrial robot (42 pages)

[Robotics Toshiba THP700-CBR Instruction Manual](#)

Industrial robot (32 pages)

[Robotics Toshiba TV800-CR Instruction Manual](#)

Industrial robot (33 pages)

[Robotics Toshiba THP700 Instruction Manual](#)

Industrial robot (72 pages)

[Robotics Toshiba THP700 Maintenance Manual](#)

Industrial robot (106 pages)

[Robotics Toshiba TV1000H-WP Instruction Manual](#)

Industrial robot (32 pages)

[Robotics Toshiba TH650A Instruction Manual](#)

Industrial robot (72 pages)

[Robotics Toshiba TV800 Instruction Manual](#)

Industrial robot (82 pages)

Related Content for Toshiba THL Series

[TVL Series Battery Unit Location](#)

[Toshiba TVL Series](#)

[SR Series Replacement Of Switching Power Supply Unit](#)

[Toshiba SR Series](#)

This manual is also suitable for:

[Thl300Thl400Thl500Thl600Thl700Thl800](#) ... [Show all](#)