

Auto Address Setting - Sanyo MINI ECO-i SPW-CR365GXH56B Service Manual

1
2
3
4
5
6
7
8
9
10
11
12
13
14
15
16
17
18

19
20
21
22
23
24
25
26
27
28
29
30
31
32
33
34
35
36
37
38
39
40
41
42
43
44
45
46
47
48
49
50
51
52
53
54
55
56
57
58
59
60
61
62
63
64
65
66
67
68

69
70
71
72
73
74
75
76
77
78
79
80
81
82
83
84
85
86
87
88
89
90
91
92
93
94
95
96
97
98
99
100
101
102
103
104
105
106
107
108
109
110
111
112
113
114
115
116
117
118

119
120
121
122
123
124
125
126
127
128
129
130
131
132
133
134
135
136
137
138
139
140
141
142
143
144
145
146
147
148
149
150
151
152
153
154
155
156
157
158
159
160
161
162
163
164
165
166
167
168

169
170
171
172
173
174
175
176
177
178
179
180
181
182
183
184
185
186
187
188
189
190
191
192
193
194
195
196
197
198
199
200
201
202
203
204
205
206
207
208
209
210
211
212
213
214
215
216
217
218

219
220
221
222
223
224
225
226
227
228
229
230
231
232
233
234
235
236
237
238
239
240
241
242
243
244
245
246
247
248
249
250
251
252



•

[Table of Contents](#)

-

Troubleshooting

•

Bookmarks



3. Auto Address Setting

Auto Address Setting

Basic wiring diagram: Example (1)

- If link wiring is not used

(The inter-unit control wires are not connected to multiple refrigerant systems.)

Indoor unit addresses can be set without operating the compressors.

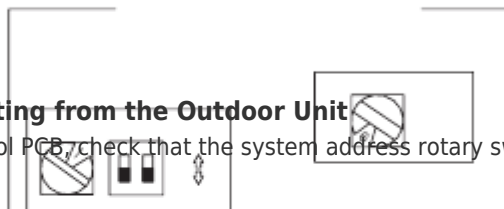
System address

R.C. ADD
(system 1 setting)
(S002)
Remote controller

Case 1

Automatic Address Setting from the Outdoor Unit

1. On the outdoor unit control PCB, check that the system address rotary switch (S002) is set to "1" and that the DIP switch (S003) is set to



2. To set the number of indoor units that are connected to the outdoor unit to 9, on the outdoor unit control PCB set the No. of indoor units rotary switch (S004) to "9."
3. Turn ON the power to the indoor and outdoor units.
4. On the outdoor main unit control PCB, short-circuit the automatic address pin (CN51) for 1 second or longer, then release it.

↓

(Communication for automatic address setting begins.)

↓

(Automatic address setting is completed when LEDs 1 and 2 on the outdoor unit control PCB turn OFF.)

↓

5. Operation from the remote controllers is now possible.

* To perform automatic address setting from the remote controller, perform steps 1 to 3, then use the remote controller and complete automatic address setting. For the necessary procedure, refer to "Automatic Address Setting from the Remote Controller."

No. 1 (outdoor unit) settings
No. 0F / 0E

(9 units setting)

(S004)

(S003)

ON

ON

2

1

OFF

Unit

Outdoor Unit

No. 1

Inter-unit control wiring

Indoor Unit

1-1

1-2

ON

"0." (These are the settings at the time of factory shipment.)

ON

1

2

OFF

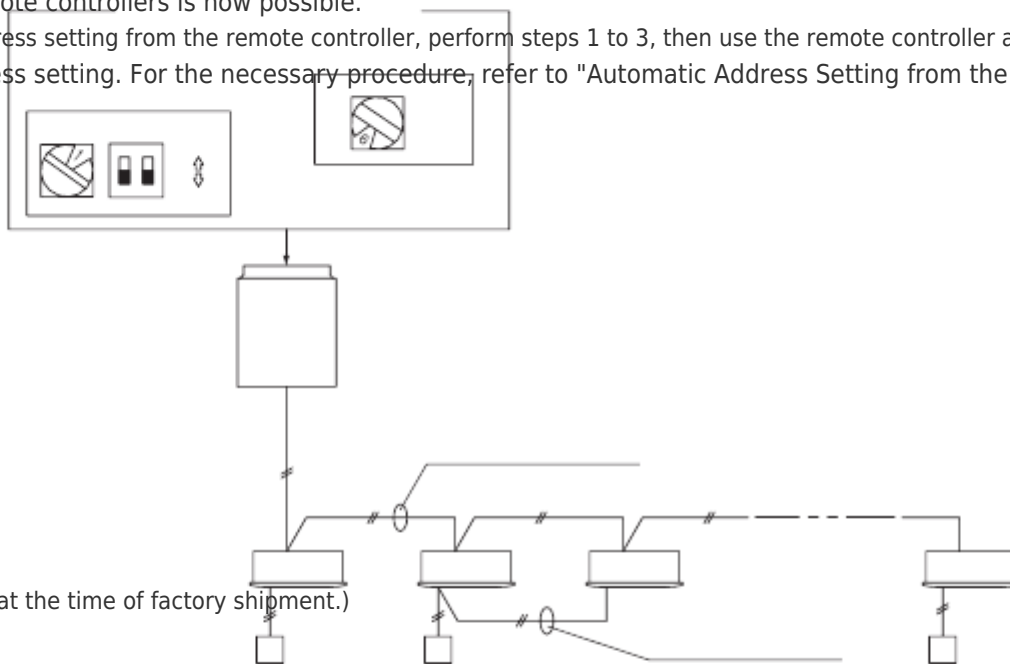
* To cancel, again short-circuit the automatic address pin (CN51) for 1 second or longer, then release it. The LED that indicates automatic address setting is in progress turns OFF and the process is stopped. Be sure to perform automatic address setting again.

1-3

1-9

Group control wiring

1 - 4



Mini ECO-i System Address Settings

[Table of Contents](#)

[Previous Page](#)
[Next Page](#)

1
...
5
6
7
8
9
10
11
12

Quick Links:

[Address Settings \(Outdoor Units\)](#)

[Remote Controller Test Run Settings](#)

[Alarm Display](#)

[Outdoor Unit Control Pcb](#)

Chapters

[Table of Contents](#) 4

[Remote Controller Functions](#) 15

[Service Checker](#) 47

[Remote Control Functions](#) 61

[Control System Sha-Kt256Bg](#) 170

[Schedule Timer \(Sha-Tm64Ag\(B\)\)](#) 214

Related Manuals for Sanyo MINI ECO-i SPW-CR365GXH56B

[Air Conditioner Sanyo ECOi C0705DXHN8 Brochure & Specs](#)

2 and 3 pipe electric vrf systems (10 pages)

[Air Conditioner Sanyo SPW-T253G56 Service Manual](#)

Split system air conditioner (71 pages)

[Air Conditioner Sanyo SPW-X253G56 Service Manual](#)

Split system (72 pages)

[Air Conditioner Sanyo SPW-CR365GXH56 Technical Data Manual](#)

Mini eco-i system (346 pages)

[Air Conditioner Sanyo Mini ECO-i SPW-ASR74GXH56\(A/B\) Installation Instructions Manual](#)

System air conditioner (49 pages)

[Air Conditioner Sanyo SPW-C1155DXHN8 Technical Data & Service Manual](#)

2-way eco-i multi system (242 pages)

[Air Conditioner Sanyo 2-WAY ECO-i SPW-C0705DXHN8 Service Manual](#)

Multi system (143 pages)

[Air Conditioner Sanyo SPW-X253GH56 Service Manual](#)

Split system (105 pages)

[Air Conditioner Sanyo SPW-U253GH56 Service Manual](#)

Split system air conditioner (108 pages)

[Air Conditioner Sanyo SPW-T253GH56 Service Manual](#)

Split system (106 pages)

[Air Conditioner Sanyo SPW-D253GH56 Service Manual](#)

Split system (108 pages)

[Air Conditioner Sanyo SPW-C0705DZH8 Technical Data Manual](#)

3-way eco-i multi system 5 series (703 pages)

[Air Conditioner Sanyo SPW-C483GYH8 Service Manual](#)

Eco multi system (235 pages)

[Air Conditioner Sanyo SPW-C256VH Technical Data & Service Manual](#)

4-way air discharge semi-concealed wall-mounted ceiling-mounted concealed-duct (517 pages)

[Air Conditioner Sanyo SPW-CR1503GDYH8 Technical Data & Service Manual](#)

W-eco multi system series (377 pages)

[Air Conditioner Sanyo SPW-FTR124EH56 Installation And Operation Manual](#)

Dc inverter air conditioner for refrigerant r410a (32 pages)

Related Content for Sanyo MINI ECO-i SPW-CR365GXH56B

[R410A Auto Address Setting](#)

Sanyo R410A

[W-3WAY ECO-i 85464369098000 Auto Address Setting](#)

Sanyo W-3WAY ECO-i 85464369098000

[Mini ECO-i 85464359981002 Auto Address Setting](#)

Sanyo Mini ECO-i 85464359981002

[AHX0752 Auto Address Setting](#)

Sanyo AHX0752

[85464359982001 Auto Address Setting](#)

Sanyo 85464359982001

[SPW-D253GH56 Address Setting Method](#)

Sanyo SPW-D253GH56

[SPW-XR253GH56 Address Setting Method](#)

Sanyo SPW-XR253GH56

[SAP-K77GHAX Address Setting Of The Remote Control Unit](#)

Sanyo SAP-K77GHAX

This manual is also suitable for:

[Mini eco-i spw-cr485gxh56b](#)[Mini eco-i spw-cr605gxh56b](#)[Mini eco-i spw-cr365gx56b](#)[Mini eco-i spw-cr485gx56b](#)[Mini eco-i spw-cr605gx56b](#)[Mini eco-i spw-cr365gxh8b](#) ... [Show all](#)