



# Obtaining The Signal From The Indoor Unit (Acc-Sg-Ag(B)) - Sanyo MINI ECO-i SPW-CR365GXH56B Service Manual



1  
2  
3  
4  
5  
6  
7  
8  
9  
10  
11  
12  
13  
14  
15  
16  
17  
18

19  
20  
21  
22  
23  
24  
25  
26  
27  
28  
29  
30  
31  
32  
33  
34  
35  
36  
37  
38  
39  
40  
41  
42  
43  
44  
45  
46  
47  
48  
49  
50  
51  
52  
53  
54  
55  
56  
57  
58  
59  
60  
61  
62  
63  
64  
65  
66  
67  
68

69  
70  
71  
72  
73  
74  
75  
76  
77  
78  
79  
80  
81  
82  
83  
84  
85  
86  
87  
88  
89  
90  
91  
92  
93  
94  
95  
96  
97  
98  
99  
100  
101  
102  
103  
104  
105  
106  
107  
108  
109  
110  
111  
112  
113  
114  
115  
116  
117  
118

119  
120  
121  
122  
123  
124  
125  
126  
127  
128  
129  
130  
131  
132  
133  
134  
135  
136  
137  
138  
139  
140  
141  
142  
143  
144  
145  
146  
147  
148  
149  
150  
151  
152  
153  
154  
155  
156  
157  
158  
159  
160  
161  
162  
163  
164  
165  
166  
167  
168

169  
170  
171  
172  
173  
174  
175  
176  
177  
178  
179  
180  
181  
182  
183  
184  
185  
186  
187  
188  
189  
190  
191  
192  
193  
194  
195  
196  
197  
198  
199  
200  
201  
202  
203  
204  
205  
206  
207  
208  
209  
210  
211  
212  
213  
214  
215  
216  
217  
218



219  
220  
221  
222  
223  
224  
225  
226  
227  
228  
229  
230  
231  
232  
233  
234  
235  
236  
237  
238  
239  
240  
241  
242  
243  
244  
245  
246  
247  
248  
249  
250  
251  
252



•

[Table of Contents](#)

- 

Troubleshooting

•

## Bookmarks





### **3. Obtaining the Signal from the Indoor Unit (ACC-SG-AG(B))**

It is possible to output the following signals externally from the indoor unit control PCB, through the signal output PCB (ACC-SG-A) (purchased separately). For details concerning installation, refer to the manual provided with the product.

Depending on the purpose of use, the fan output may be switched. Refer to item code "3D" in the Remote Controller Functions Section.

Installing the relay PCB

Install the PCB spacers (4) into the electrical component box, then install the signal output PCB and connect the

provided lead wire (with connector). For details concerning installation, refer to the manual provided with the

product.

### (1) Voltage (AC 200 V) output

Indoor unit control PCB

- 1
- 2
- 3
- 4
- 5
- 6

Supplied cable

(White)

CN002

- 1

AC200V

- 3

Supplied cable

(2 types: an approximately 1300 mm cable and an approximately 400 mm cable)

### (2) No-voltage output

Indoor unit control PCB

- 1
- 2
- 3
- 4
- 5
- 6

Supplied cable

(White)

Supplied cable

(If this PCB is used together with the solenoid valve output PCB (ACC-3WAY-A), only no-voltage signal output is available.)

- 1
- 2
- 3
- 4
- 5
- 6

(White)

- 1

- 3

- 1

- 2

- 3

- 4

- 5

- 6

(White)

- 1

- 3

7 - 21

### Remote Control Functions

#### ACC-SG-AG(B) PCB

RY001

RY002

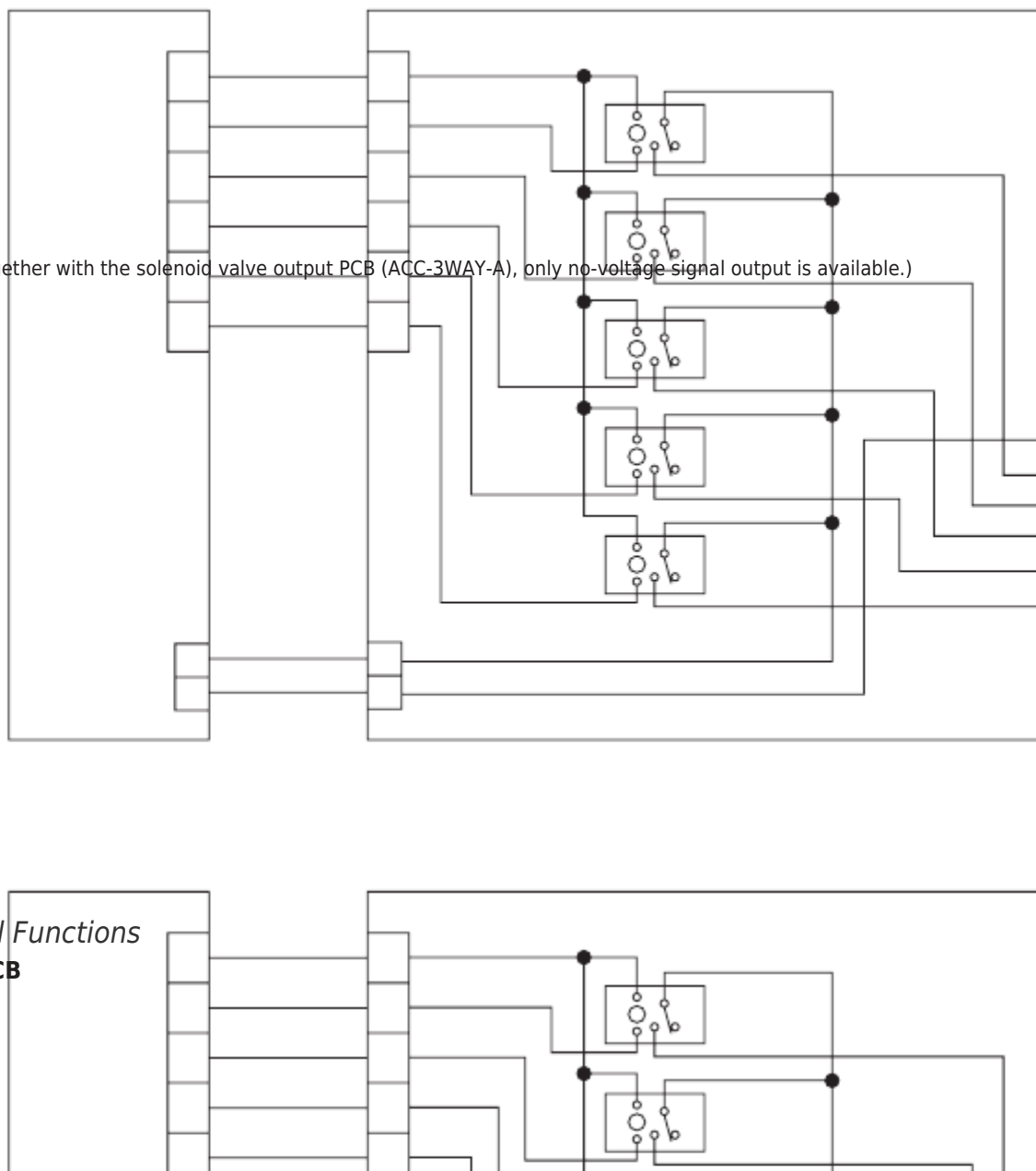
RY003

Defrost output

RY004

Thermostat ON

Cooling output





Heating output

RY005

**ACC-SG-AG(B) PCB**

RY001

RY002

RY003

Defrost output

RY004

Thermostat ON

Cooling output

Heating output

RY005

*Mini ECO-i System*

COM

Supplied

1

3

5

7

9

Fan

11

Wire joint

(approximately 500 mm)

Supplied

COM

1

3

5

7

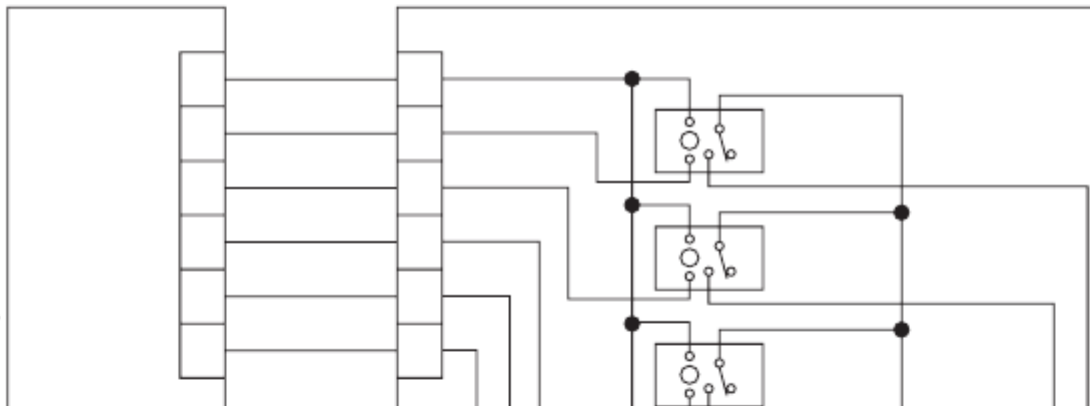
9

Fan

11

Wire joint

(approximately 500 mm)



[Table of Contents](#)

[Previous Page](#)  
[Next Page](#)

1  
...  
78  
79  
80  
**81**  
82  
83  
84  
85

Quick Links:

[Address Settings \(Outdoor Units\)](#)

[Remote Controller Test Run Settings](#)

[Alarm Display](#)

[Outdoor Unit Control Pcb](#)

## Chapters

[Table of Contents](#) 4

[Remote Controller Functions](#) 15

[Service Checker](#) 47

[Remote Control Functions](#) 61

[Control System Sha-Kt256Bg](#) 170

[Schedule Timer \(Sha-Tm64Ag\(B\)\)](#) 214

## Related Manuals for Sanyo MINI ECO-i SPW-CR365GXH56B

[Air Conditioner Sanyo ECOi C0705DXHN8 Brochure & Specs](#)

2 and 3 pipe electric vrf systems (10 pages)

[Air Conditioner Sanyo SPW-T253G56 Service Manual](#)

Split system air conditioner (71 pages)

[Air Conditioner Sanyo SPW-X253G56 Service Manual](#)

Split system (72 pages)

[Air Conditioner Sanyo SPW-CR365GXH56 Technical Data Manual](#)

Mini eco-i system (346 pages)

[Air Conditioner Sanyo Mini ECO-i SPW-ASR74GXH56\(A/B\) Installation Instructions Manual](#)

System air conditioner (49 pages)

[Air Conditioner Sanyo SPW-C1155DXHN8 Technical Data & Service Manual](#)

2-way eco-i multi system (242 pages)

[Air Conditioner Sanyo 2-WAY ECO-i SPW-C0705DXHN8 Service Manual](#)

Multi system (143 pages)

[Air Conditioner Sanyo SPW-X253GH56 Service Manual](#)

Split system (105 pages)

[Air Conditioner Sanyo SPW-U253GH56 Service Manual](#)

Split system air conditioner (108 pages)

[Air Conditioner Sanyo SPW-T253GH56 Service Manual](#)

Split system (106 pages)

[Air Conditioner Sanyo SPW-D253GH56 Service Manual](#)

Split system (108 pages)

[Air Conditioner Sanyo SPW-C0705DZH8 Technical Data Manual](#)

3-way eco-i multi system 5 series (703 pages)

[Air Conditioner Sanyo SPW-C483GYH8 Service Manual](#)

Eco multi system (235 pages)

[Air Conditioner Sanyo SPW-C256VH Technical Data & Service Manual](#)

4-way air discharge semi-concealed wall-mounted ceiling-mounted concealed-duct (517 pages)

[Air Conditioner Sanyo SPW-CR1503GDYH8 Technical Data & Service Manual](#)

W-eco multi system series (377 pages)

[Air Conditioner Sanyo SPW-FTR124EH56 Installation And Operation Manual](#)

Dc inverter air conditioner for refrigerant r410a (32 pages)

## Related Content for Sanyo MINI ECO-i SPW-CR365GXH56B

[SPW-XR254EH56 Suspending The Indoor Unit](#)

Sanyo SPW-XR254EH56

[SAP-K71GJHA Changing Address Of Remote Control Unit In Indoor Unit](#)

Sanyo SAP-K71GJHA

[MINI ECO-i XHX1252 Indoor Unit Setting Mode](#)

Sanyo MINI ECO-i XHX1252

[Mini ECO-i CHXR03652 Indoor Unit Electronic Control Valve Control](#)

Sanyo Mini ECO-i CHXR03652

[SAP-C302AH-S Changing Address Of Remote Control In Indoor Unit](#)

Sanyo SAP-C302AH-S

[C2432A Indoor Unit](#)

Sanyo C2432A

[ECO-i AHX0752 Indoor Unit](#)

Sanyo ECO-i AHX0752

[SAP-CMRV3143GJH Indoor Unit](#)

Sanyo SAP-CMRV3143GJH

This manual is also suitable for:

[Mini eco-i spw-cr485gxh56b](#)[Mini eco-i spw-cr605gxh56b](#)[Mini eco-i spw-cr365gx56b](#)[Mini eco-i spw-cr485gx56b](#)[Mini eco-i spw-cr605gx56b](#)[Mini eco-i spw-cr365gxh8b](#) ... [Show all](#)