

Toshiba BL-60PHNMY User Manual

Table blender

1
2
3
4
5
6
7
8
9
10
11
12
13

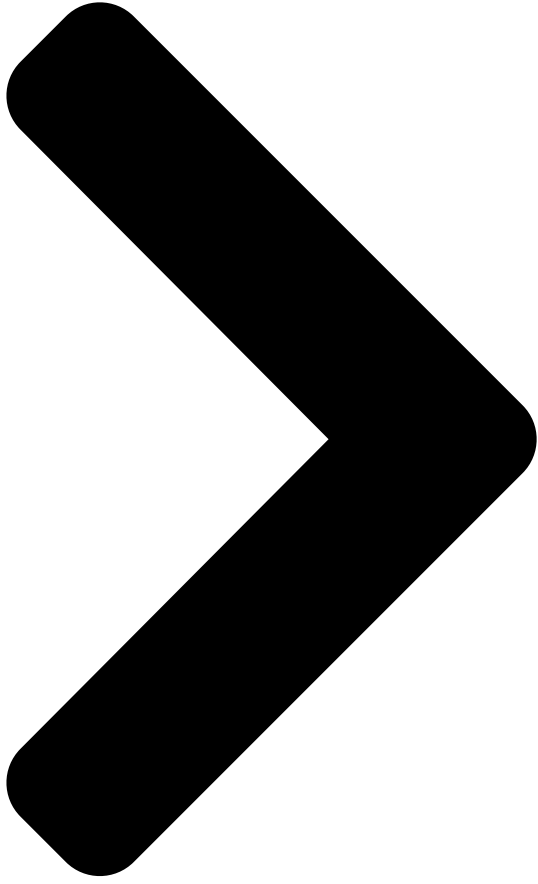
--

•

Bookmarks

[Download this manual](#)

Quick Links



IMPORTANT SAFETY INSTRUCTIONS
TOSHIBA
PART NAME

TECHNICAL DATA OF THE PRODUCT
INSTRUCTIONS FOR USE

RECIPES

ABNORMALITY ANALYSIS AND HANDLING

CLEANING AND MAINTENANCE

CIRCUIT PRINCIPLE DIAGRAM

IMPORTANT NOTE: Please read the manual carefully before



operating your
product. Retain it for future reference.

TOSHIBA

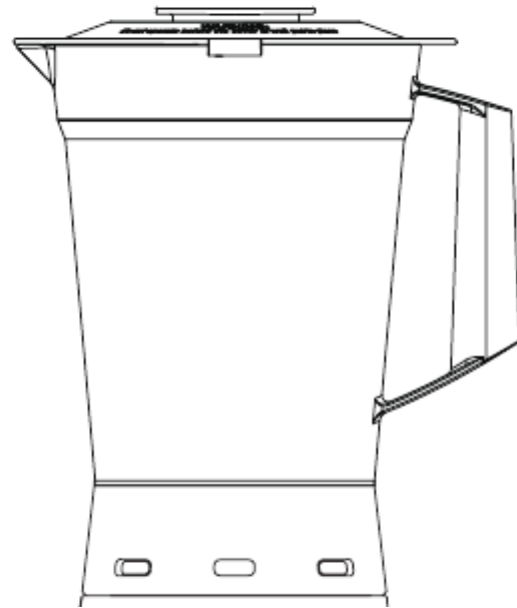
TABLE BLENDER

USER MANUAL

BL-60PHNMY

CONTENT

- .
- 1
- 3
- 3
- 4
- 8
- 8
- 9
- 10



[Table of Contents](#)

[Next Page](#)

1
2
3
4
5

