

Installing The Wired Remote Control Unit - Sanyo C2432A Installation Instructions Manual

1
2
3
4
5
6
7
8
9
10
11
12
13
14
15
16
17
18

19
20
21
22
23
24
25
26
27
28
29
30
31
32
33
34
35
36
37
38
39
40
41
42
43
44
45
46
47
48
49
50

•


[Table of Contents](#)

•

Bookmarks



Wired Remote Control Unit (Option) (except KS2432A)

(1) 

To access the printed circuit board, remove the cover plate of the electrical component box.

(2)

Attach the remote control connectors securely to the mating connector pins on the printed circuit board.

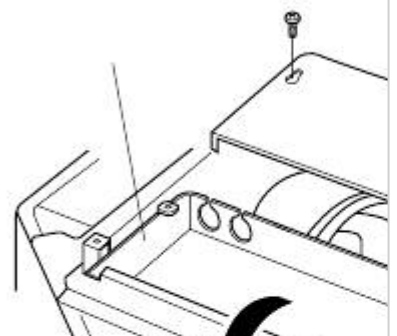
(3)

Turn the R.C.U. switch from "WIRELESS" to "WIRED".

(4)

Replace the cover plate.

Do not supply power to the unit until the tubing and wiring to the outdoor unit is



completed.

The mounting position for the remote control unit should be located in an accessible place for control and permit the average room temperature to be detected. Never cover the unit or recess it into the wall.

4-3. Installing the Wired Remote Control Unit

(1)

Use a ballpoint pen or similar pointed object to remove the plastic bushing which is inserted in the rear of the remote control unit. The bushing can be discarded. (Fig. 4-6)

(2)

Align the cord with the groove of the remote control unit.

(3)

Attach the mounting plate to the wall with the 2 supplied screws. Then align the rail on the rear of the control unit with the slot of the mounting plate and slide the unit down as far as it will go. (Fig. 4-6)

Fix the control unit cord to the wall.

(4)

If local codes allow, the remote control cord can be wired in the wall. (Fig. 4-7)



WARNING

Electrical component box
WIRELESS
R.C.U. Switch

Fig. 4-5

Flat-head tapping screw
25/64" (3 x 10 mm)

(SATA)

Cord clip

Remote control unit

Mounting plate

Truss-head tapping screw
5/8" (14 x 16 mm)

(TOTA)

Fig. 4-6

35

54179694

Cover plate

Connector for the wired remote control unit

1006_M_I
Groove

Cord

Plastic bushing

Rear

Ballpoint pen

Remote control unit

Wall

0531_M_I

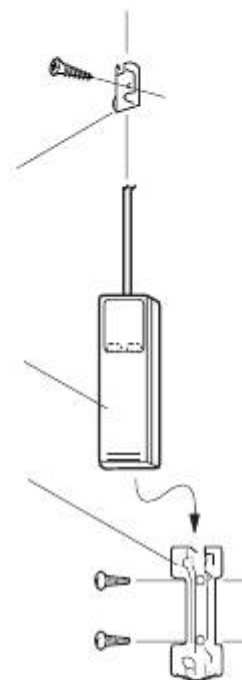
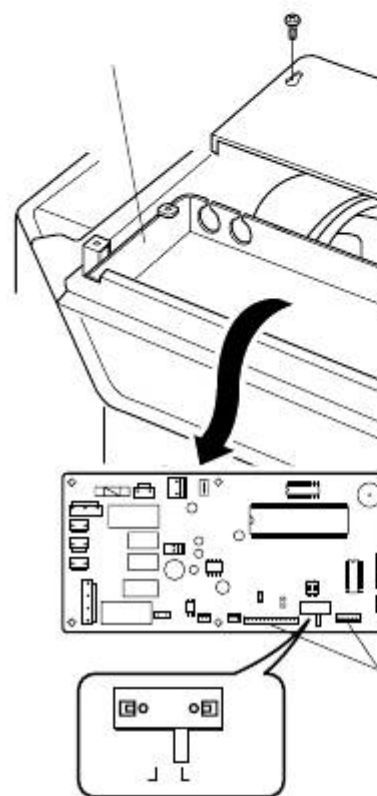


Fig. 4-7

[Table of Contents](#)

[Previous Page](#)
[Next Page](#)

1
...
32
33
34
35
36
37
38
39

Quick Links:

[Table of Contents](#)

[General](#)

[Indoor Unit](#)

[Outdoor Unit](#)

[Remote Control Unit](#)

Related Manuals for Sanyo C2432A

[Air Conditioner Sanyo 24KLS32A Specification Sheet](#)

Sanyo ductless split system air conditioners specification sheet (3 pages)

[Air Conditioner Sanyo 24XS32A Submittal Sheet](#)

Indoor/outdoor ceiling recessed (4-way) air conditioner (3 pages)

[Air Conditioner Sanyo XS4232 Technical Data And Service Manual](#)

(66 pages)

[Air Conditioner Sanyo KS2432A Technical Data And Service Manual](#)

(64 pages)

[Air Conditioner Sanyo KS2432A Service Manual](#)

Split system (63 pages)

[Air Conditioner Sanyo KS3032 Service Manual](#)

Split system air conditioner (56 pages)

[Air Conditioner Sanyo C3032 Service Manual](#)

Split system air conditioner (54 pages)

[Air Conditioner Sanyo KS2432 Instruction Manual](#)

Split system air conditioner; wall-mounted type ceiling-mounted type recessed type cool/fan model (24 pages)

[Air Conditioner Sanyo KS2432A Instruction Manual](#)

Cool/dry model (24 pages)

[Air Conditioner Sanyo KS2462R Instruction Manual](#)

Sanyo split system air conditioner instruction manual ks2462r (24 pages)

[Air Conditioner Sanyo KS2432A Instruction Manual](#)

(24 pages)

[Air Conditioner Sanyo KS2432 Instruction Manual](#)

Split system air conditioner cool/fan model (24 pages)

[Air Conditioner Sanyo C2432 Installation Instructions Manual](#)

Split system air conditioner (17 pages)

[Air Conditioner Sanyo 24KS62R Specifications](#)

Ductless split system air conditioners (3 pages)

[Air Conditioner Sanyo 36TS32A Datasheet](#)

Ceiling suspended air conditioner (3 pages)

[Air Conditioner Sanyo KS2432A Instruction Manual](#)

(1 page)

Related Content for Sanyo C2432A

[SAP-K71GJHA Changing Address Of Remote Control Unit In Indoor Unit](#)

Sanyo SAP-K71GJHA

[MINI ECO-i XHX1252 Using The Wireless Remote Control Unit](#)

Sanyo MINI ECO-i XHX1252

[SAP-C302AH-S Remote Control Unit Installation Position](#)

Sanyo SAP-C302AH-S

[SAP-KM97GHS5A Remote Control Unit Installation Position](#)

Sanyo SAP-KM97GHS5A

[SAP-K91AA Changing Address Of Remote Control Unit In Indoor Unit](#)

Sanyo SAP-K91AA

[SAP-K92A Changing Address Of Remote Control Unit In Indoor Unit](#)

Sanyo SAP-K92A

[SAP-K91AA-S Changing Address Of Remote Control Unit In Indoor Unit](#)

Sanyo SAP-K91AA-S

[SAP-FDRV96EH Using The Remote Control Unit](#)

Sanyo SAP-FDRV96EH

This manual is also suitable for:

[Ks2432Ks2432aKs3032Cl2432aXs3632Ts3632](#) ... [Show all](#)