

Outdoor Unit - Sanyo Mini ECO-i SPW-ASR74GXH56(A/B) Installation Instructions Manual

System air conditioner

1

2

3

4

5

Table Of Contents

6

7

8

9

10

11

12

13

14

15

16

17

18
19
20
21
22
23
24
25
26
27
28
29
30
31
32
33
34
35
36
37
38
39
40
41
42
43
44
45
46
47
48
49

•

[Table of Contents](#)

•

Bookmarks



05-194
5/27/05
5:06 PM

2-2. Outdoor Unit

AVOID:

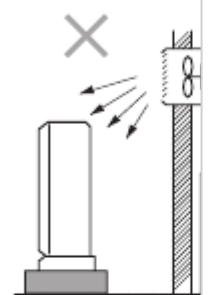
heat sources, exhaust fans, etc. (Fig. 2-6)
damp, humid or uneven locations

DO:

choose a place as cool as possible.
choose a place that is well ventilated and outside
air temperature does not exceed maximum 45°C
constantly.

- allow enough room around the unit for air intake/
exhaust and possible maintenance. (Fig. 2-7)
- use lug bolts or equal to bolt down unit, reducing
vibration and noise.

Installation space



Distance between obstructions and the unit air inlet and outlet must be as shown below.

More than 1 cm

*2

CAUTION

In case of multiple installations

provide a solid base (concrete block, 10 x 40 cm beams or equal), a minimum of 15 cm above ground level to reduce humidity and protect the unit against possible water damage and decreased service life. (Fig. 2-9)

use lug bolts or equal to bolt down unit, reducing vibration and noise.

Page 18

*3

Inlet side C

More than 1 cm

*4

Outlet side

More than

100 cm

*1

Fig. 2-7

Concerning inlet-side distance "C" (Fig. 2-7)

The minimum for distance "C" is 15 cm if there are no obstructions on the outlet side (wall *1 side) and *2 or *4 is not present. In all other cases, the minimum for distance "C" is 20 cm.

If the unit is installed with the outlet side facing wall *1, then there must be no obstructions on 2 of the remaining 3 sides: *2, *3, *4.

If wall *1 is on the outlet side (Fig. 2-7), or if obstructions are present on all 3 sides *2, *3, and *4 (Fig. 2-7), then the minimum distance for "A" and "B" is 2 m (Fig. 2-9). Even if there is no wall on the outlet side, a minimum of 100 cm is required.

Hot air

Out-

door

unit

(Obstruction above unit)

Air direction chamber

(field supply)

*1

Anchor bolts

(4 pieces)

18

Exhaust fan

Heat source

Fig. 2-6

B

A

Inlet side

More than 20 cm

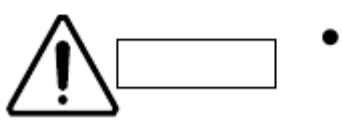
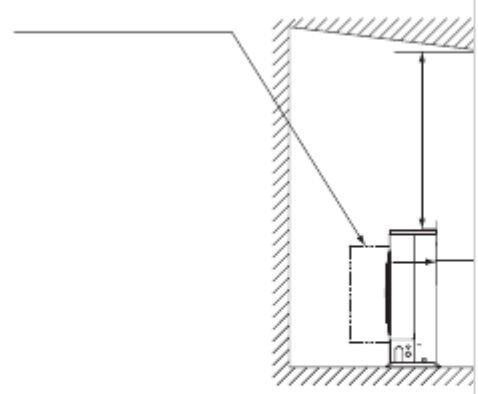
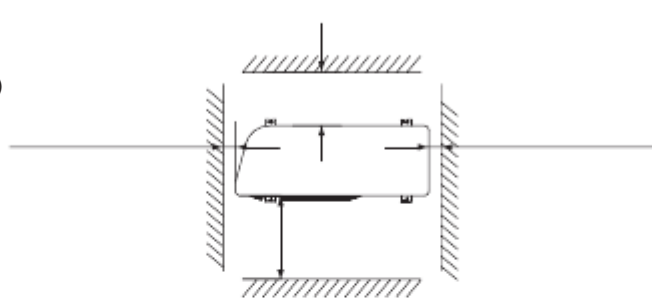
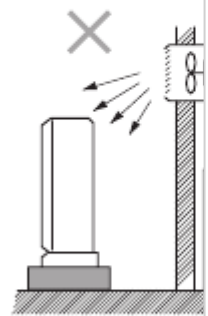
(Obstruction on

inlet side)

(Ground)

Fig. 2-8

Fig. 2-9



[Previous Page](#)
[Next Page](#)

1
...
15
16
17
18
19
20
21
22

Quick Links:

[Important](#)

[Table of Contents](#)

[General](#)

[Indoor Unit](#)

[Outdoor Unit](#)

[Meaning of Alarm Messages](#)

Related Manuals for Sanyo Mini ECO-i SPW-ASR74GXH56(A/B)

[Air Conditioner Sanyo SPW-CR365GXH56 Technical Data Manual](#)

Mini eco-i system (346 pages)

[Air Conditioner Sanyo SPW-X483GH56 Installation Instruction](#)

Eco multi system air conditioner (91 pages)

[Air Conditioner Sanyo 2-WAY ECO-i SPW-C0705DXHN8 Service Manual](#)

Multi system (143 pages)

[Air Conditioner Sanyo PW-UMR184EXH56 Installation And Operation](#)

[Manual](#)

Eco-i system air conditioner (36 pages)

[Air Conditioner Sanyo ECO G SGP-EGW190M2G2W Brochure & Specs](#)

Gas driven vrf m series (9 pages)

[Air Conditioner Sanyo SPW-C1155DXHN8 Technical Data & Service Manual](#)

2-way eco-i multi system (242 pages)

[Air Conditioner Sanyo ECOi C0705DXHN8 Brochure & Specs](#)

2 and 3 pipe electric vrf systems (10 pages)

[Air Conditioner Sanyo MINI ECO-i SPW-CR365GXH56B Service Manual](#)
(252 pages)

[Air Conditioner Sanyo SPW-X253G56 Service Manual](#)

Split system (72 pages)

[Air Conditioner Sanyo SPW-X253GH56 Service Manual](#)

Split system (105 pages)

[Air Conditioner Sanyo SPW-T253GH56 Service Manual](#)

Split system (106 pages)

[Air Conditioner Sanyo SPW-D253GH56 Service Manual](#)

Split system (108 pages)

[Air Conditioner Sanyo SPW-C483GYH8 Service Manual](#)

Eco multi system (235 pages)

[Air Conditioner Sanyo Big PACi 18 Series Technical Data & Service Manual](#)

Big pack i dc inverter (275 pages)

[Air Conditioner Sanyo SPW-CR1503GDYH8 Technical Data & Service Manual](#)

W-eco multi system series (377 pages)

[Air Conditioner Sanyo SPW-XR254EH56 Installation And Operation Manual](#)

Dc inverter air conditioner (40 pages)

Related Content for Sanyo Mini ECO-i SPW-ASR74GXH56(A/B)

[MINI ECO-i SPW-CR365GXH56B System Address \(Outdoor Unit\)](#)

Sanyo MINI ECO-i SPW-CR365GXH56B

[SAP-CMRV3143GJH Outdoor Unit](#)

Sanyo SAP-CMRV3143GJH

[2-WAY ECO-i SPW-C0705DXHN8 Selecting Outdoor Unit For Operation](#)

Sanyo 2-WAY ECO-i SPW-C0705DXHN8

[SAP-KM97GHS5A Neither Indoor Nor Outdoor Unit Runs](#)

Sanyo SAP-KM97GHS5A

[SPW-D253G56 \(B\) Outdoor Unit](#)

Sanyo SPW-D253G56

[SPW-D253GH56 \(B\) Outdoor Unit](#)

Sanyo SPW-D253GH56

[SAP-CMRV1426EH Outdoor Unit](#)

Sanyo SAP-CMRV1426EH

[SPW-XR253GH56 Led Indication On The Outdoor Unit's P.c.b. Ass'y](#)

Sanyo SPW-XR253GH56

This manual is also suitable for:

[Mini eco-i spw-asr94gxh56\(a/b\)](#)[Mini eco-i spw-asr124gxh56\(a/b\)](#)[Mini eco-i spw-ldr94gxh56\(a/b\)](#)[Mini eco-i spw-ldr124gxh56\(a/b\)](#)[Mini eco-i spw-ldr184gxh56\(a/b\)](#)[Mini eco-i spw-ldr254gxh56\(a/b\)](#) ... [Show all](#)