

Optional Distribution Joint Kits - Sanyo XM18AAB Installation Instructions Manual

W-2way system air conditioner

1

2

3

4

5

Table Of Contents

6

7

8

9

10

11

12

13

14

15

16

17

18
19
20
21
22
23
24
25
26
27
28
29
30
31
32
33
34
35
36
37
38
39
40
41
42
43
44
45
46
47
48
49
50

--

•

[Table of Contents](#)

•

Bookmarks



1-12. Optional Distribution Joint Kits

See the installation instructions packaged with the distribution joint kit for the installation procedure.

Table 1-12

Model name

1. APR-CHP680BA		
2. APR-CHP1350BA		
3. APR-P160BA		
4. APR-P680BA		
5. APR-P1350BA		
■ Tubing size (with thermal insulation)		
1. APR-CHP680BA		
For outdoor unit (Capacity after distribution joint is 232,000 BTU/h (68.0 kW) or less.)		

Example:

6-59/64

5-5/16

C
 Distribution
 Joint
 Reducing
 Joints

Table 1-13 Size of connection point on each part (Shown are inside diameters of tubing)

Size			
Part A			
ø1-3/8"			
in. (mm)			
(ø34.92)			
(ø31.75)			
2. APR-CHP1350BA			
For outdoor unit (Capacity after distribution joint is greater than 232,000 BTU/h (68.0 kW) and no more than			
Example:			
5-5/16"			

D
 C
 B
 (A)

Distribution
 Joint
 Insulation

Table 1-14 Size of connection point on each part (Shown are inside diameters of tubing)

Size
 Part A
 ø1-3/8"
 in. (mm)
 (ø34.92)
 (ø31.75)

Cooling capacity after distribution

- 232,000 BTU/h (68.0 kW) or less
- 460,700 BTU/h (135.0 kW) or less
- 76,400 BTU/h (22.4 kW) or less
- 232,000 BTU/h (68.0 kW) or less
- 460,700 BTU/h (135.0 kW) or less

Gas tubing

C

D E F

C

Insulation

Part B

Part C

Part D

ø1-1/4"

ø1-1/8"

ø1"

(ø28.58)

(ø25.4)

Gas tubing

6-5/16"

C

D

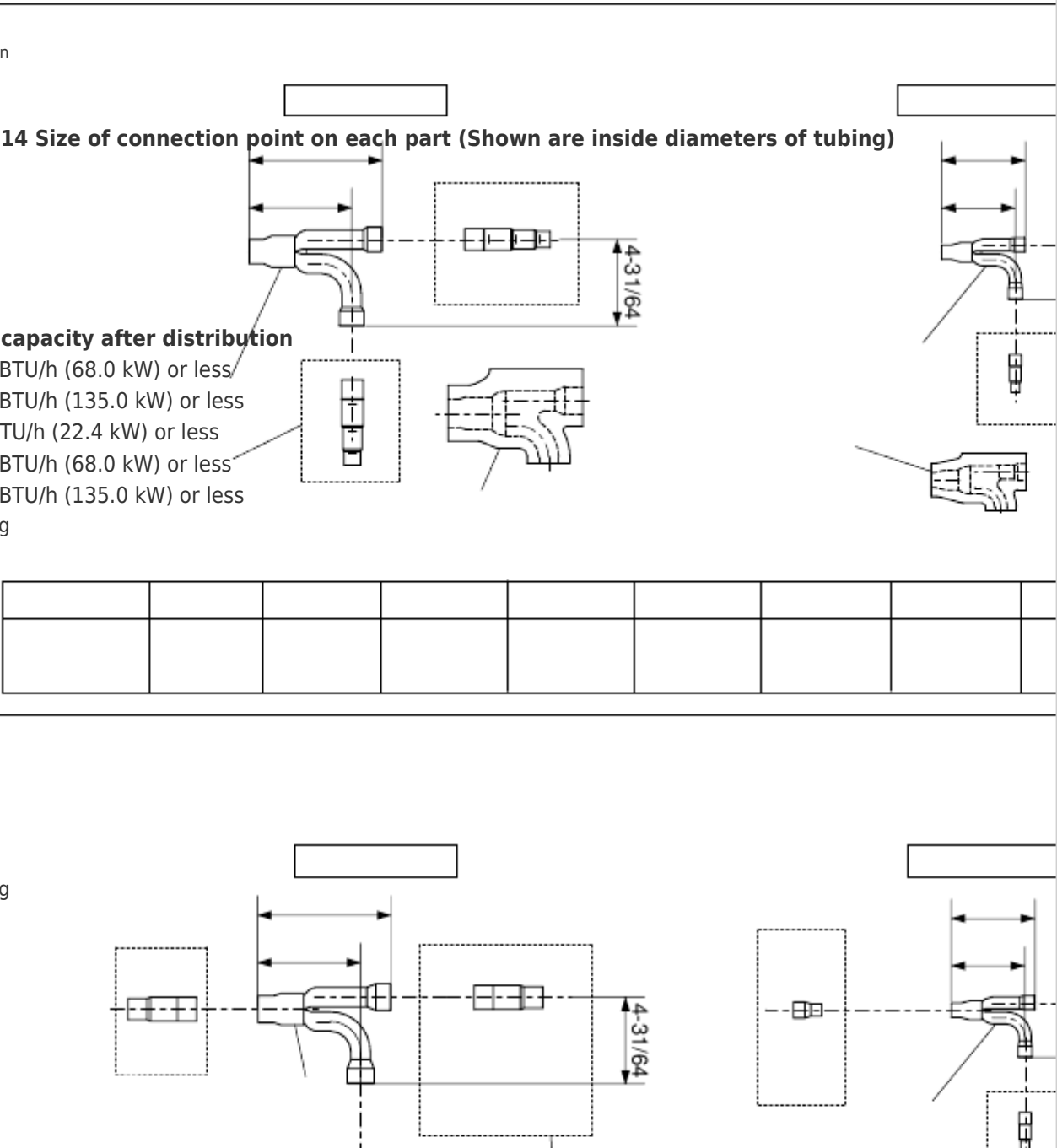
B

(A)

B

C

(A)



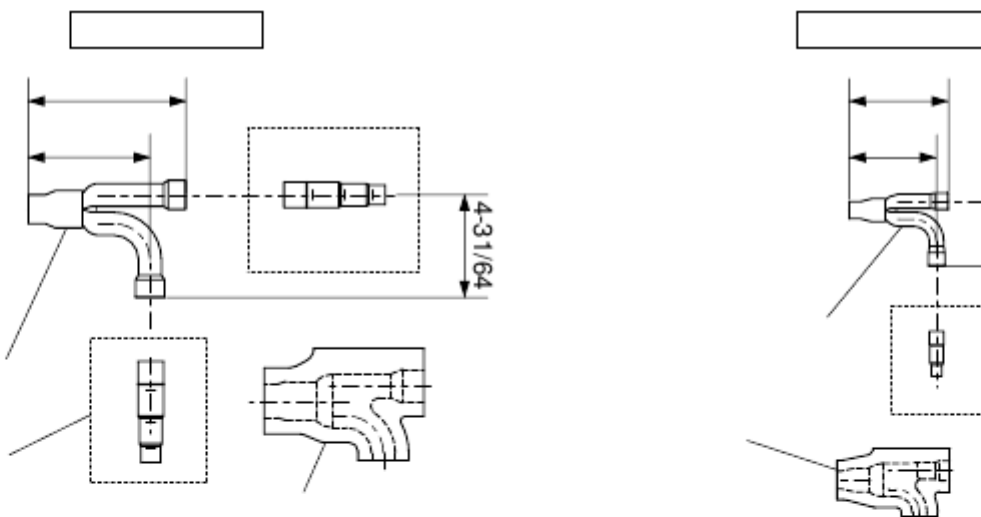
E
D
F
Reducing
Joints
Part B
Part C

Part D			
ø1-1/4"			
ø1-1/8"			
ø1"			
(ø28.58)			
(ø25.4)			
Remarks			
For outdoor unit			
For outdoor unit			
For indoor unit			
For indoor unit			
For indoor unit			

Liquid tubing

G
Distribution
Joint
Insulation

Part E
Part F
Part G
ø7/8"
ø3/4"
ø5/8"
(ø22.22)
(ø19.05)
(ø15.88)

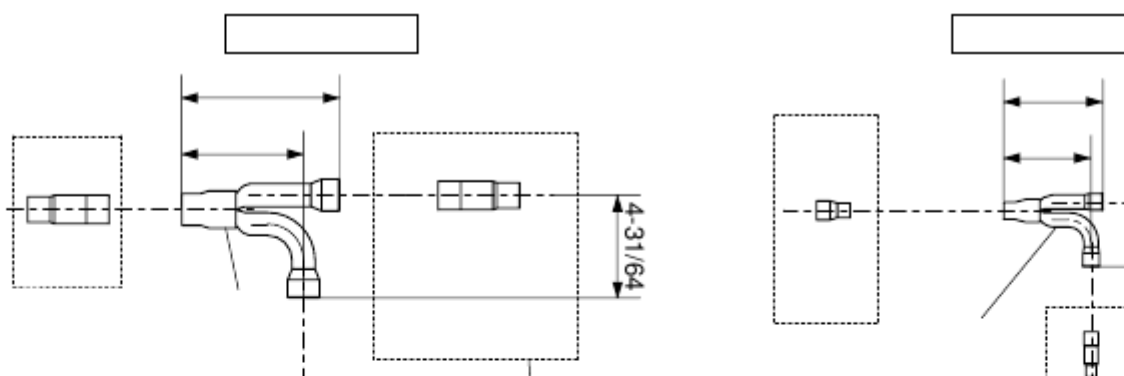


Liquid tubing
F
G
Distribution
Joint
Insulation

(): Outside dimension								
Part E								
Part F								
Part G								

ø7/8"
ø3/4"
ø5/8"
(ø22.22)
(ø19.05)
(ø15.88)

12
4-21/64
3-13/16
H I
G
G
H
I



Reducing
Joints

Unit: in.

Part H

Part I

ø1/2"

ø3/8"

(ø12.7)

(ø9.52)

460,700 BTU/h (135.0 kW.)

4-21/64

3-13/16

H I

G

G

H

I

Reducing

Joints

Unit: in.

Part H

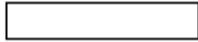
Part I

ø1/2"

ø3/8"

(ø12.7)

(ø9.52)



[Table of Contents](#)

[Previous Page](#)
[Next Page](#)

1
...
9
10
11
12
13
14
15
16

Related Manuals for Sanyo XM18AAB

[Air Conditioner Sanyo ECO-i AHX0752 Technical Data Manual](#)

(265 pages)

[Air Conditioner Sanyo MINI ECO-i XHX1252 Service Manual & Test Run Service Manual](#)

(190 pages)

[Air Conditioner Sanyo ECO-i CHDZR07263 Series Service Manual](#)

(146 pages)

[Air Conditioner Sanyo CHDXR09663* Service Manual](#)

2-way eco-i multi system (142 pages)

[Air Conditioner Sanyo CHDZ07263 Service Manual](#)

(128 pages)

[Air Conditioner Sanyo AHX0752 Service Manual](#)

W-2way eco-i multi system (114 pages)

[Air Conditioner Sanyo W-3WAY ECO-i 85464369098000 Installation Instructions Manual](#)

W-3way eco-i system air conditioner (106 pages)

[Air Conditioner Sanyo 85464359982001 Installation Instructions Manual](#)

W-2way system air conditioner (96 pages)

[Air Conditioner Sanyo Mini ECO-i CHXR03652 Service Manual](#)

(93 pages)

[Air Conditioner Sanyo Mini ECO-i 85464359981002 Installation Instructions Manual](#)

Sanyo air conditioner installation instructions (90 pages)

[Air Conditioner Sanyo R410A Installation Instructions Manual](#)

W-3way eco-i system air conditioner (54 pages)

[Air Conditioner Sanyo ECO R410A Installation Instructions Manual](#)

Eco-i system air conditioner (48 pages)

[Air Conditioner Sanyo XHX1252 Instruction Manual](#)

Split system air conditioner (20 pages)

[Air Conditioner Sanyo THX2452 User Manual](#)

(4 pages)

[Air Conditioner Sanyo DHX4852 Manual](#)

Indoor unit (4 pages)

[Air Conditioner Sanyo THX1852 Manual](#)

Indoor unit (4 pages)

Related Content for Sanyo XM18AAB

[W-3WAY ECO-i 85464369098000 Installing Distribution Joint](#)

Sanyo W-3WAY ECO-i 85464369098000

[C2432A Optional Copper Tubing Kit](#)

Sanyo C2432A

[ECO-i AHX0752 Optional Controller \(Remote Controller\)](#)

Sanyo ECO-i AHX0752

[SAP-CMRV1426EH Optional Copper Tubing Kit](#)

Sanyo SAP-CMRV1426EH

[SAP-KMRV74EH Optional Copper Tubing Kit](#)

Sanyo SAP-KMRV74EH

[SPW-C256VH Optional Distribution Joint Kits](#)

Sanyo SPW-C256VH

[SPW-C0705DZH8 Optional Distribution Joint Kits](#)

Sanyo SPW-C0705DZH8

[SPW-CR365GXH56 Optional Distribution Joint Kit](#)

Sanyo SPW-CR365GXH56

This manual is also suitable for:

[Xhx1252Xhx1852Xhx3652Xmhx1252Xmhx1852Ahx0752](#) ... [Show all](#)