

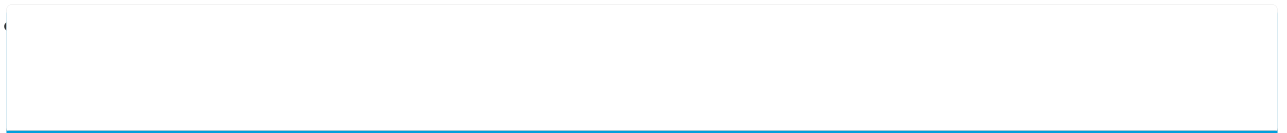


Sanyo NV-E7500 Schematic Diagrams

Sanyo nv-e7500: supplementary guide

1
2
3
4
5
6
7
8
9
10
11
12
13
14
15
16
17
18

19
20
21
22
23
24
25
26
27
28
29
30
31
32
33
34
35
36



•

Bookmarks

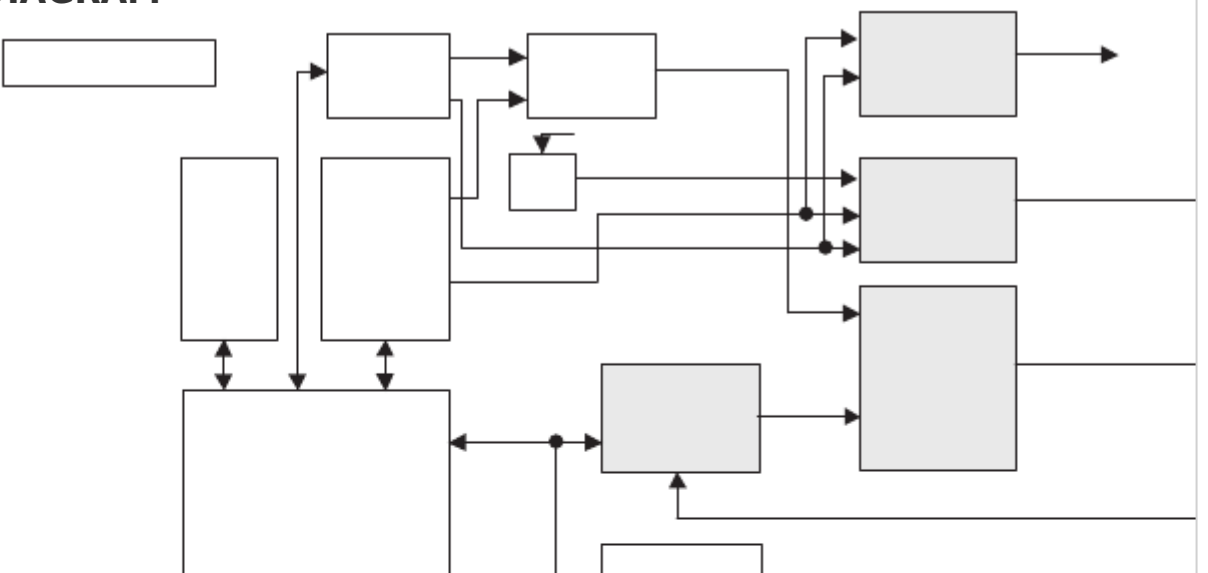
Quick Links

[Download this manual](#) See also: [Service Manual](#)

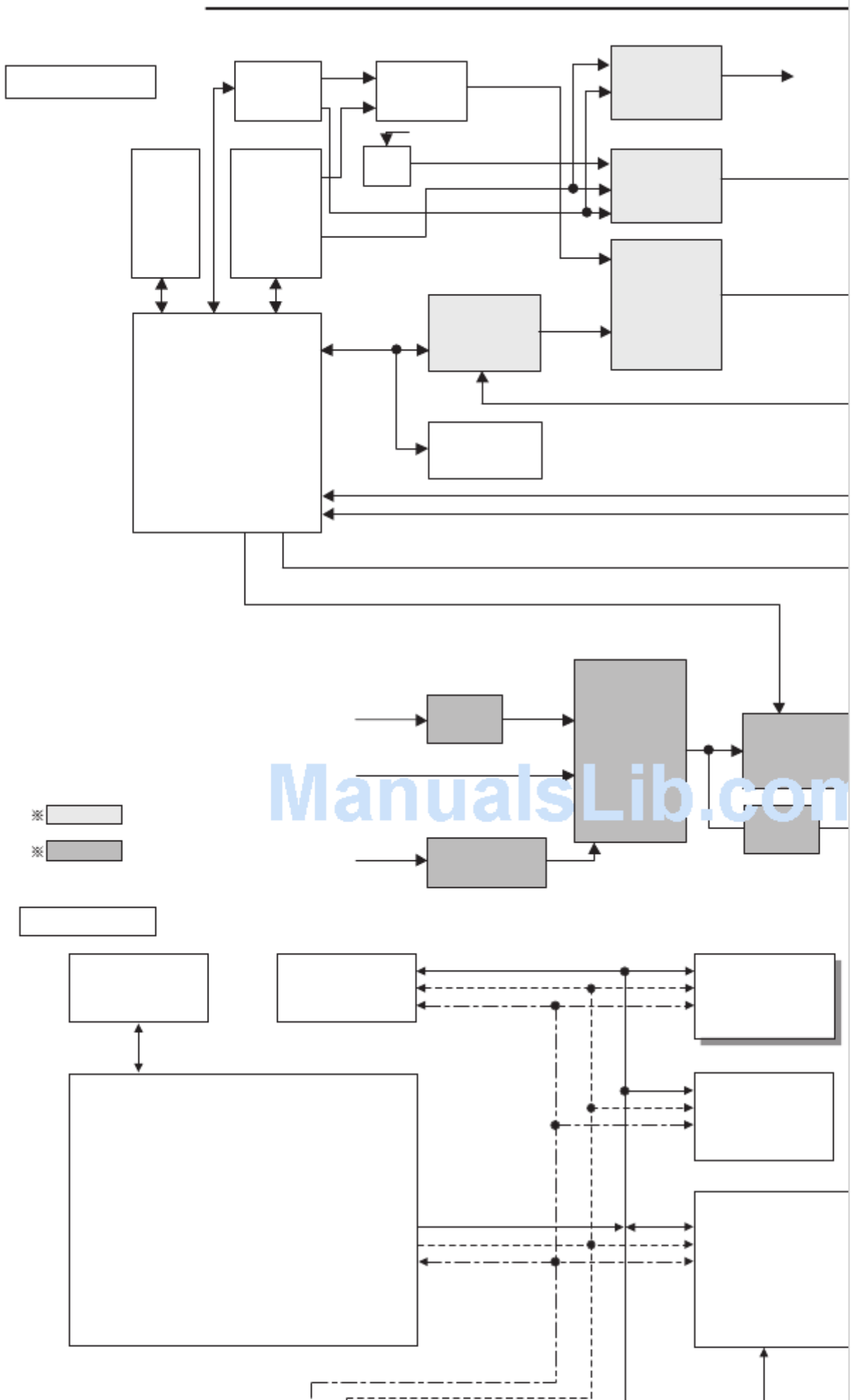


BLOCK DIAGRAM

VIDEO BLOCK
 DRAM
 (IC2)
 TV MICOM
 (IC1)
 IMAGE SIGNAL
 AUDIO SIGNAL
 NAVI BLOCK
 GPS TUNER
 DRAM
 (IC26)
 IMAGE SIGNAL
 AUDIO SIGNAL
 RGB SW
 DVD BLOCK
 IC8
 VIDEO IN
 (VIDEO)
 TV/VIDEO



IC10
 NAVI COMPOSITE
 NAVI BLOCK
 DVD COMPOSITE
 2
 I
 C
 2
 E
 (IC6)
 AMP
 VIDEO IN
 (IC17)
 (AUDIO)
 NAVI
 GUIDE
 DVD
 GND ISOLATER
 AUDIO
 (IC15)
 CARD I/F
 (CS8)
 CPU
 (IC20)
 CONTROL
 ADDRESS
 DATA
 GRAPHIC
 CONTROLLER
 (IC25)
 NV_HSYNC
 PLL
 (IC28)
 VIDEO SW
 (IC12)
 VIDEO SW
 (IC11)
 OSD SW
 (IC9)
 OSD
 (IC5)
 HSYNC/VSYNC
 PROM
 REM IN
 DIM IN
 DIM OUT
 CLK/DATA
 AUDIO SW
 (IC13)
 BEACON / GYRO
 VIDEO
 DAC
 RGB / COMPOSITE
 (IC29)
 SC
 PLL CK
 -
 -
 40
 JK3
 HEAD PHONE
 VOLUME,
 HEAD PHONE AMP,
 PWR AMP
 (IC14)
 LINE IN/OUT
 AMP
 SW
 (IC16)
 (IC18)
 SDRAM
 (IC36,37)
 FLASH



DVD-ROM DRIVE
(IC38)
(CN7)
ASIC
(IC30)
GUIDE DAC
NAVI GUIDE
JK4
JK5
CN2003
DVD
BLOCK
BUS SW
(IC2001,
2002,
2003)
(IC31)
LPF/AMP
(IC32)

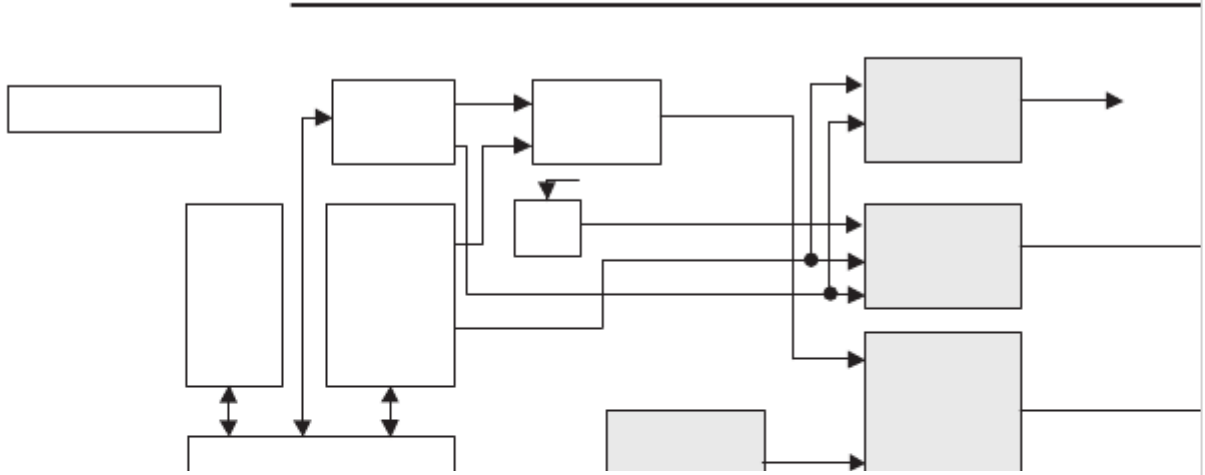


Table of Contents

[Next Page](#)

- 1
- 2
- 3
- 4
- 5

Related Manuals for Sanyo NV-E7500

[Car Video System Sanyo NV-E7500 - Navigation System With DVD Player Service Manual](#)

Portable dvd navigation system (40 pages)

[GPS Sanyo NVM-4030 User Instructions For Operating](#)

(29 pages)

[GPS Sanyo NVM 4370 - Easy Street - Automotive GPS Receiver Instruction Manual](#)

Portable navigation system (42 pages)

Summary of Contents for Sanyo NV-E7500

[Page 1: Block Diagram](#)

BLOCK DIAGRAM VIDEO SW VIDEO BLOCK RGB SW DVD BLOCK (IC12) VIDEO IN (VIDEO) TV/VIDEO IC10 VIDEO SW NAVI COMPOSITE (IC11) DRAM NAVI BLOCK (IC2) DVD COMPOSITE OSD SW (IC9) (IC5) HSYNC/VSYNC TV MICOM (IC1) PROM (IC6) REM IN DIM IN DIM OUT CLK/DATA HEAD PHONE...

[Page 2: Power Block](#)

BLOCK DIAGRAM IMAGE SIGNAL POWER BLOCK MICROCOMPUTER REG. (+5V) BLOCK (IC2) +5.1V DC-DC DC IN NAVI BLOCK (JK6) (IC42) +3.4V REG. (+1.9V) (IC45) DVD BLOCK DC-DC (+11V) BACKLIGHT INVERTER (IC43)

[Page 3: Wiring Diagram](#)

BLOCK DIAGRAM SCHEMATIC DIAGRAM DIMMER DVD BLOCK /DVD_RST DVD_R,DVD_G SCL,SDA DVD_B,DVD_CV IC2010 DACL,DACR,SGND,P_MUTE IC2011 IC2009 DVD DAC F-RAM DVD DECODER Control Address DVD_INT Data IC2015 DIMMER1 SDRAM IC2005 FLASH BUS SW NOTES 1. RESISTOR VALUES IN OHMS.(k=1000) RESISTOR ARE 1/6W,1/8W,1/10W&1/16W 5% UNLESS MARKED OTHERWISE.

[Page 4](#) WIRING DIAGRAM MAIN P.C.B. LCD P.C.B. CN1001 DVD P.C.B. CN2002 DVD P.C.B. 1...

[Page 5](#) WIRING DIAGRAM MAIN P.C.B. VIDEO,I/O TERMINAL AUDIO,I/O AND OPTICAL DIGITAL AND IO OUTPUT TERMINAL BRAKE HEADPHONE TERMINAL TERMINAL POWER SUPPLY SWITCH DC INPUT 9V TERMINAL...

[Page 6: Schematic Diagram](#)

SCHEMATIC DIAGRAM MAIN 1/12 5V REG. NOTES 1. RESISTOR VALUES IN OHMS.(k=1000) RESISTOR ARE 1/6W,1/8W,1/10W&1/16W 5% UNLESS MARKED OTHERWISE. 2. CAPACITOR VALUES IN MICRO FARADS. (p=uuF) 3. MODIFICATION MAY BE DONE WITHOUT ANY NOTICE.

[Page 7](#) SCHEMATIC DIAGRAM MAIN 2/12 IMAGE SIGNAL REG. NOTES 1. RESISTOR VALUES IN OHMS.(k=1000) RESISTOR ARE 1/6W,1/8W,1/10W&1/16W 5% UNLESS MARKED OTHERWISE. 2. CAPACITOR VALUES IN MICRO FARADS. (p=uuF) 3. MODIFICATION MAY BE DONE WITHOUT ANY NOTICE.

[Page 8](#) SCHEMATIC DIAGRAM MAIN 3/12 AUDIO SIGNAL DRIVER GND ISOLATER NOTES 1. RESISTOR VALUES IN OHMS.(k=1000) RESISTOR ARE 1/6W,1/8W,1/10W&1/16W 5% UNLESS MARKED OTHERWISE. 2. CAPACITOR VALUES IN MICRO FARADS. (p=uuF) 3. MODIFICATION MAY

BE DONE WITHOUT ANY NOTICE.

[Page 9](#) SCHEMATIC DIAGRAM MAIN 4/12 IMAGE SIGNAL AUDIO SIGNAL NOTES IN/OUT SEL. SW
1. RESISTOR VALUES IN OHMS.(k=1000) RESISTOR ARE 1/6W,1/8W,1/10W&1/16W 5% UNLESS
MARKED OTHERWISE. 2. CAPACITOR VALUES IN MICRO FARADS. (p=uuF) 3. MODIFICATION MAY
BE DONE WITHOUT ANY NOTICE.

[Page 10](#) SCHEMATIC DIAGRAM AUDIO SIGNAL MAIN 5/12 GND SW NOTES 1. RESISTOR
VALUES IN OHMS.(k=1000) RESISTOR ARE 1/6W,1/8W,1/10W&1/16W 5% UNLESS MARKED
OTHERWISE. 2. CAPACITOR VALUES IN MICRO FARADS. (p=uuF) 3. MODIFICATION MAY BE DONE
WITHOUT ANY NOTICE.

[Page 11](#) SCHEMATIC DIAGRAM MAIN 6/12 BUFFER BUFFER BUFFER HD6417706F133V NOTES
1. RESISTOR VALUES IN OHMS.(k=1000) RESISTOR ARE 1/6W,1/8W,1/10W&1/16W 5% UNLESS
MARKED OTHERWISE. 2. CAPACITOR VALUES IN MICRO FARADS. (p=uuF) 3. MODIFICATION MAY
BE DONE WITHOUT ANY NOTICE.

[Page 12](#) SCHEMATIC DIAGRAM MAIN 7/12 IMAGE SIGNAL HD64413ASFV NAVI IMAGE IC
SN74AHC2Gu04HDCT3 INVERTER NOTES 1. RESISTOR VALUES IN OHMS.(k=1000) RESISTOR
ARE 1/6W,1/8W,1/10W&1/16W 5% UNLESS MARKED OTHERWISE. 2. CAPACITOR VALUES IN
MICRO FARADS. (p=uuF) 3. MODIFICATION MAY BE DONE WITHOUT ANY NOTICE.

[Page 13](#) SCHEMATIC DIAGRAM MAIN 8/12 AUDIO SIGNAL L.P.F. INVERTER INVERTER NOTES 1.
RESISTOR VALUES IN OHMS.(k=1000) RESISTOR ARE 1/6W,1/8W,1/10W&1/16W 5% UNLESS
MARKED OTHERWISE. 2. CAPACITOR VALUES IN MICRO FARADS. (p=uuF) 3. MODIFICATION MAY
BE DONE WITHOUT ANY NOTICE.

[Page 14](#) SCHEMATIC DIAGRAM MAIN 9/12 NOTES 1. RESISTOR VALUES IN OHMS.(k=1000)
RESISTOR ARE 1/6W,1/8W,1/10W&1/16W 5% UNLESS MARKED OTHERWISE. 2. CAPACITOR
VALUES IN MICRO FARADS. (p=uuF) 3. MODIFICATION MAY BE DONE WITHOUT ANY NOTICE.

[Page 15](#) SCHEMATIC DIAGRAM IMAGE SIGNAL AUDIO SIGNAL MAIN 10/12 NOTES 1. RESISTOR
VALUES IN OHMS.(k=1000) RESISTOR ARE 1/6W,1/8W,1/10W&1/16W 5% UNLESS MARKED
OTHERWISE. 2. CAPACITOR VALUES IN MICRO FARADS. (p=uuF) 3. MODIFICATION MAY BE DONE
WITHOUT ANY NOTICE.

[Page 16](#) SCHEMATIC DIAGRAM MAIN 11/12 NOTES 1. RESISTOR VALUES IN OHMS.(k=1000)
RESISTOR ARE 1/6W,1/8W,1/10W&1/16W 5% UNLESS MARKED OTHERWISE. 2. CAPACITOR
VALUES IN MICRO FARADS. (p=uuF) 3. MODIFICATION MAY BE DONE WITHOUT ANY NOTICE.

[Page 17](#) SCHEMATIC DIAGRAM MAIN 12/12 8V REG. 1.9V REG. NOTES 1. RESISTOR VALUES IN
OHMS.(k=1000) RESISTOR ARE 1/6W,1/8W,1/10W&1/16W 5% UNLESS MARKED OTHERWISE. 2.
CAPACITOR VALUES IN MICRO FARADS. (p=uuF) 3. MODIFICATION MAY BE DONE WITHOUT ANY
NOTICE.

[Page 18: Wiring Diagram](#)

WIRING DIAGRAM MAIN P.C.B. 3 MAIN P.C.B. CN4 LCD P.C.B. TOUCH PANEL KEY P.C.B. CN3001
LCD PANEL...

[Page 19](#) WIRING DIAGRAM LCD P.C.B.

[Page 20](#) SCHEMATIC DIAGRAM LCD 1/4 IMAGE SIGNAL AUDIO SIGNAL NOTES 1. RESISTOR
VALUES IN OHMS.(k=1000) RESISTOR ARE 1/6W,1/8W,1/10W&1/16W 5% UNLESS MARKED
OTHERWISE. 2. CAPACITOR VALUES IN MICRO FARADS. (p=uuF) 3. MODIFICATION MAY BE DONE
WITHOUT ANY NOTICE.

[Page 21](#) SCHEMATIC DIAGRAM IMAGE SIGNAL LCD 2/4 NOTES 1. RESISTOR VALUES IN
OHMS.(k=1000) RESISTOR ARE 1/6W,1/8W,1/10W&1/16W 5% UNLESS MARKED OTHERWISE. 2.
CAPACITOR VALUES IN MICRO FARADS. (p=uuF) 3. MODIFICATION MAY BE DONE WITHOUT ANY
NOTICE.

[Page 22](#) SCHEMATIC DIAGRAM IMAGE SIGNAL LCD 3/4 BUFFER NOTES 1. RESISTOR VALUES
IN OHMS.(k=1000) RESISTOR ARE 1/6W,1/8W,1/10W&1/16W 5% UNLESS MARKED OTHERWISE.

2. CAPACITOR VALUES IN MICRO FARADS. (p=uuF) 3. MODIFICATION MAY BE DONE WITHOUT ANY NOTICE.

[Page 23](#) SCHEMATIC DIAGRAM LCD 4/4 NOTES 1. RESISTOR VALUES IN OHMS.(k=1000) RESISTOR ARE 1/6W,1/8W,1/10W&1/16W 5% UNLESS MARKED OTHERWISE. 2. CAPACITOR VALUES IN MICRO FARADS. (p=uuF) 3. MODIFICATION MAY BE DONE WITHOUT ANY NOTICE.

[Page 24](#) WIRING DIAGRAM DVD P.C.B. FAM MOTOR DVD-ROM MECHANISM PLATE BOTTOM MAIN P.C.B. CN6 MAIN P.C.B. 1...

[Page 25](#) WIRING DIAGRAM DVD P.C.B.

[Page 26](#) SCHEMATIC DIAGRAM IMAGE SIGNAL SERVO 3/3 CS1201 DVD 1/2 +5.1V SW AUDIO SIGNAL +3.4V SW 2.8V REG. +3.6V REG. NOTES 1. RESISTOR VALUES IN OHMS.(k=1000) RESISTOR ARE 1/6W,1/8W,1/10W&1/16W 5% UNLESS MARKED OTHERWISE. 2. CAPACITOR VALUES IN MICRO FARADS. (p=uuF) 3. MODIFICATION MAY BE DONE WITHOUT ANY NOTICE. MAIN 9/12 CN7...

[Page 27](#) SCHEMATIC DIAGRAM DVD 2/2 IMAGE SIGNAL AUDIO SIGNAL FILTER NOTES 1. RESISTOR VALUES IN OHMS.(k=1000) RESISTOR ARE 1/6W,1/8W,1/10W&1/16W 5% UNLESS MARKED OTHERWISE. 2. CAPACITOR VALUES IN MICRO FARADS. (p=uuF) 3. MODIFICATION MAY BE DONE WITHOUT ANY NOTICE.

[Page 28](#) SCHEMATIC DIAGRAM WIRING DIAGRAM KEY P.C.B. DIMMER,DIMMER1 AUDIO SIGNAL MENU POSITION MODE/VOL KEY P.C.B. LCD P.C.B. CN1008 DIMMER P.C.B. DIMMER1 P.C.B. NOTES 1. RESISTOR VALUES IN OHMS.(k=1000) RESISTOR ARE 1/6W,1/8W,1/10W&1/16W 5% UNLESS MARKED OTHERWISE. 2. CAPACITOR VALUES IN MICRO FARADS. (p=uuF) 3.

[Page 29](#) SCHEMATIC DIAGRAM SERVO 1/3 HD64F3039TEBL18 POWER NOTES 1. RESISTOR VALUES IN OHMS.(k=1000) RESISTOR ARE 1/6W,1/8W,1/10W&1/16W 5% UNLESS MARKED OTHERWISE. 2. CAPACITOR VALUES IN MICRO FARADS. (p=uuF) 3. MODIFICATION MAY BE DONE WITHOUT ANY NOTICE.

[Page 30](#) SCHEMATIC DIAGRAM SERVO 2/3 NOTES 1. RESISTOR VALUES IN OHMS.(k=1000) RESISTOR ARE 1/6W,1/8W,1/10W&1/16W 5% UNLESS MARKED OTHERWISE. 2. CAPACITOR VALUES IN MICRO FARADS. (p=uuF) 3. MODIFICATION MAY BE DONE WITHOUT ANY NOTICE.

[Page 31](#) SCHEMATIC DIAGRAM SERVO 3/3 NOTES 1. RESISTOR VALUES IN OHMS.(k=1000) RESISTOR ARE 1/6W,1/8W,1/10W&1/16W 5% UNLESS MARKED OTHERWISE. 2. CAPACITOR VALUES IN MICRO FARADS. (p=uuF) 3. MODIFICATION MAY BE DONE WITHOUT ANY NOTICE.

[Page 32](#) WIRING DIAGRAM DVD P.C.B. CN2001 SERVO P.C.B. DVD MECHANISM...

[Page 33](#) WIRING DIAGRAM SERVO P.C.B.

[Page 34: Spindle Motor](#)

SCHEMATIC DIAGRAM SPINDLE MOTOR...

[Page 35](#) REGARDING CLEANING THE PICKUP...

[Page 36](#) For CANADA only For U.S.A. only Sanyo Canada Inc. For parts or service contact 1-300 Applewood Cres. Sanyo Fisher Service Company Concord, Ont. L4K 5C7 21605 Plummer Street Chatsworth, CA 91311 Mar./'05/45 Printed in Japan.