





## Whirlpool WED6200S Dimensions And Installation Information

Whirlpool electric dryer dimensions



1

--

•

## Bookmarks

## Quick Links

[Download this manual](#) See also: [Use and Care Manual](#), [User Manual](#)

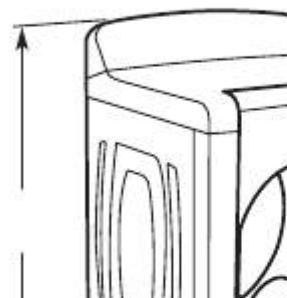
PRODUCT MODEL NUMBERS

WED6200S, WED6400S, WED6600V,  
**Whirlpool**  
WED6600W, WED7300X, WED7400X,  
WED7600X, WED7800X

Electrical

: \_\_\_\_\_  
This dryer requires a 3 or 4 wire, single phase, 120/240 volt, 60 Hz., AC only electrical supply (or 3 or 4 wire, 120/208 volt electrical supply, if specified on the serial/rating plate) on a separate 30-amp circuit, fused on both sides of the line. A time-delay fuse or circuit breaker is recommended. Connect to an individual branch circuit. Do not have a fuse in the neutral or grounding circuit.

:  
Exhaust venting



Exhaust your dryer to the outside.

4" (102 mm) diameter vent is required. Rigid or flexible metal exhaust vent must be used. Do not use plastic or metal foil vent. Exhaust hood must be at least 12" (305 mm) from the ground or any object that may be in the path of the exhaust.

Exhaust hood styles:

B \_\_\_\_\_

A

4"

(102 mm)

4"

(102 mm)

Recommended styles:

A. Louvered hood

B. Box hood

Vent System Chart:

Number 90°

Type of vent

Box /louvered

elbows

hoods

0

Rigid metal

64 ft. (20 m)

1

Rigid metal

54 ft. (16.5 m)

2

Rigid metal

44 ft. (13.4 m)

3

Rigid metal

35 ft. (10.7 m)

4

Rigid metal

27 ft. (8.2 m)

NOTE: Side and bottom exhaust installations have a 90° turn inside the dryer. To determine maximum exhaust length, add one 90° turn to the chart.

Select the route that will provide the straightest and most direct path outdoors. Plan the installation to use the fewest number of elbows and turns. Use the fewest 90° turns possible. Do not use vent runs longer than specified in vent length chart. Determine the number of elbows you will need.

Because Whirlpool Corporation policy includes a continuous commitment to improve our products, we reserve the right to change materials and specifications without notice.

## Electric Dryer

C \_\_\_\_\_

4"

(102 mm)

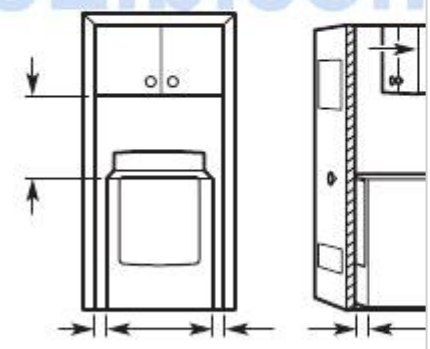
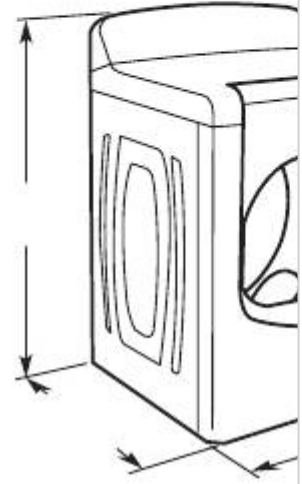
2½"

(64 mm)

Acceptable styles:

C. Angled hood

Angled





hoods

- 58 ft. (17.7 m)
- 48 ft. (14.6 m)
- 38 ft. (11.6 m)
- 29 ft. (8.8 m)
- 21 ft. (6.4 m)



## OVERALL DIMENSIONS

### Dryer dimensions

43  
/  
"  
1  
2  
(1105 mm)

29  
1  
(743 mm)

NOTE: Most installations require minimum 5" (127 mm) clearance for exhaust vent with elbow. See "Venting Requirements."

### Minimum required spacing

For cabinet installation, with a door, the minimum ventilation openings in the top are required.

18"\*  
(457 mm)  
1"  
29"  
(25 mm)  
(737 mm)

### Recessed area

#### \*Required spacing

For closet installation, with a door, the minimum ventilation openings in the top and bottom of the door are required. Louvered doors with equivalent air ventilation openings are acceptable.

Dimensions are for planning purposes only. For complete details, see Installation Instructions packed with product. Specifications subject to change without notice.

4  
29"  
(737 mm)

14" máx.\*  
(356 mm)

48"  
(310 cm)

24"  
(155 cm)

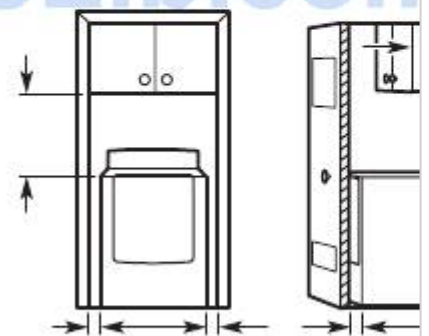
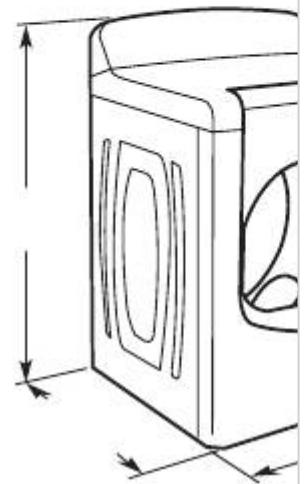
1"  
5"  
29"

1  
(25 mm)  
(127 mm)

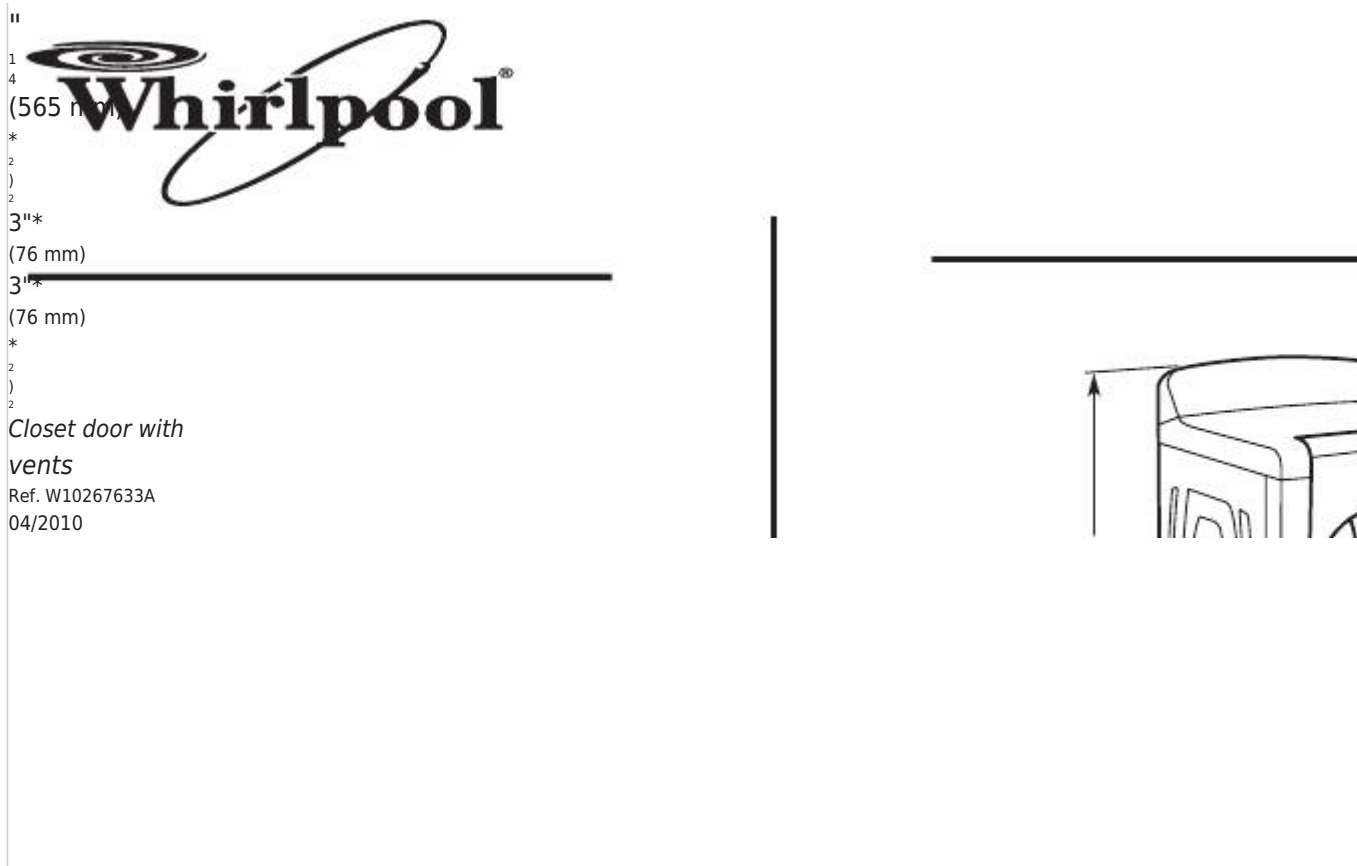
4  
(743 mm)

### Side view- closet or confined area

22  
/



ManualsLib.com



## Related Manuals for Whirlpool WED6200S

[Dryer Whirlpool Cabrio WED6200S User Manual](#)

Gas & electric dryers (116 pages)

[Dryer Whirlpool Cabrio WED6200S Use & Care Manual](#)

Electronic dryer (32 pages)

[Dryer Whirlpool cabrio WED6200S Dimensions And Installation](#)

Whirlpool electric dryer specification sheet (1 page)