



# Right Side - Toshiba PSPA3C-SD402E User Manual

User manual



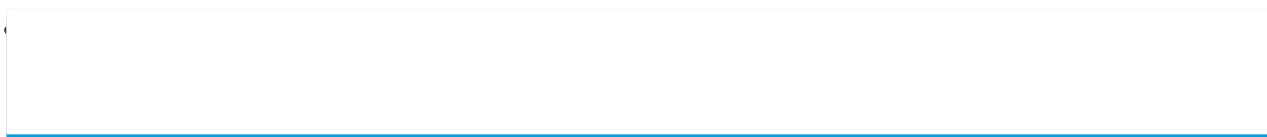
1
2
3
4
5
6
7
8
9
10
11
12
13
14
Table Of Contents
15
16
17

18  
19  
20  
21  
22  
23  
24  
25  
26  
27  
28  
29  
30  
31  
32  
33  
34  
35  
36  
37  
38  
39  
40  
41  
42  
43  
44  
45  
46  
47  
48  
49  
50  
51  
52  
53  
54  
55  
56  
57  
58  
59  
60  
61  
62  
63  
64  
65  
66  
67

68  
69  
70  
71  
72  
73  
74  
75  
76  
77  
78  
79  
80  
81  
82  
83  
84  
85  
86  
87  
88  
89  
90  
91  
92  
93  
94  
95  
96  
97  
98  
99  
100  
101  
102  
103  
104  
105  
106  
107  
108  
109  
110  
111  
112  
113  
114  
115  
116  
117

118  
119  
120  
121  
122  
123  
124  
125  
126  
127  
128  
129  
130  
131  
132  
133  
134  
135  
136  
137  
138  
139  
140  
141  
142  
143  
144  
145  
146  
147  
148  
149  
150  
151  
152  
153  
154  
155  
156  
157  
158  
159  
160  
161  
162  
163  
164  
165  
166  
167

168  
169  
170  
171  
172



•

Table of Contents



- 

Troubleshooting

•

## Bookmarks





---

## Right side

The following figure shows the computer's right side.

Optical Disc Drive

Eject Hole

Eject Button

Optical Disc Drive

LED

Universal Serial Bus

(USB) ports



## User's Manual

---

Eject Hole

Optical Disc Drive

*The right side of the computer*

The computer is configured with a full-size optical disc drive module that lets you run either 12 cm (4.72") or 8 cm (3.15") discs without using an adapter. See the Drives section in this chapter for technical specifications on each drive and

Chapter 4,

using the drive and caring for discs.

The Optical Disc Activity LED illuminates when the drive is in use.

In the event that the disc drive becomes inexplicably locked or stops responding press this button to force a manual ejection of the optical disc drive tray.

Press this to open the optical disc drive tray.

This indicator lets you know when the Optical Disc Drive is being accessed.

The Universal Serial Bus (USB 2.0 and 1.1) ports allow you to connect USB-equipped devices (such as keyboards, mice, hard drives, scanners, and printers) to the computer.

Eject Button

Optical Disc Drive LED

*Operating*

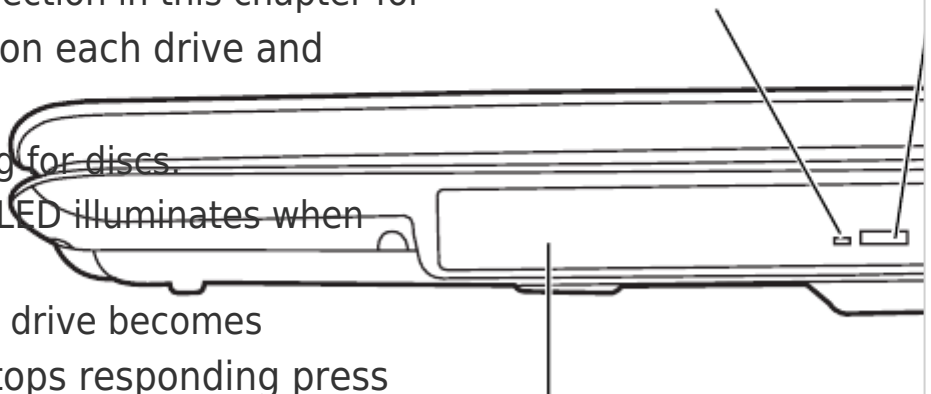
*Basics, for information on*

The Grand Tour

Universal Serial

Bus (USB) ports

2-3



ManualsLib.com

[Table of Contents](#)

[Previous Page](#)  
[Next Page](#)

1  
...  
36  
37  
38  
39  
40  
41  
42  
43



## Related Manuals for Toshiba PSPA3C-SD402E

[Laptop Toshiba Satellite P100 Series Maintenance Manual](#)

Pc (314 pages)

[Laptop Toshiba Satellite P100 Series Maintenance Manual](#)

(311 pages)

[Laptop Toshiba P105 S6197 - Satellite - Core 2 Duo 1.6 GHz User Manual](#)

Toshiba online users guide for satellite p105 (280 pages)

[Laptop Toshiba P100/P105 User Manual](#)

Toshiba satellite p100/p105 series user's guide (280 pages)

[Laptop Toshiba P100-ST9732 User Manual](#)

P100-st9732 user's guide (278 pages)

[Laptop Toshiba P105-S9337 User Manual](#)

P105-s9337 user's guide (278 pages)

[Laptop Toshiba P100-ST7211 User Manual](#)

P100-st7211 user's guide (275 pages)

[Laptop Toshiba P100-ST1072 User Manual](#)

P100-st1072 user's guide (237 pages)

[Laptop Toshiba Satellite P100 Series User Manual](#)

(196 pages)

[Camcorder Toshiba PA3943U-1CAM Camileo P100 User Manual](#)

Pa3943u-1cam camileo p100 user's guide (146 pages)

[Laptop Toshiba Satellite P100/P105Series Resource Manual](#)

Toshiba laptop pc user's guide (72 pages)

[Laptop Toshiba Satellite P100 Specifications](#)

Toshiba satellite p100: specifications (2 pages)

[Laptop Toshiba P25-S477 User Manual](#)

P25-s477 user's guide (232 pages)

[Laptop Toshiba P205-S6277 User Manual](#)

P205-s6277 user's guide (242 pages)

[Laptop Toshiba Satellite P20-8PW User Manual](#)

Toshiba satellite p20-8pw: user guide (142 pages)

[Laptop Toshiba PSPCDC-03H00C User Manual](#)

User manual (185 pages)

## Related Content for Toshiba PSPA3C-SD402E

[Satellite L40-C Series Right Side](#)

[Toshiba Satellite L40-C Series](#)

[Satellite U930 Series Right Side](#)

[Toshiba Satellite U930 Series](#)

[Tecra A40 C Series Right Side](#)

Toshiba Tecra A40 C Series

[Satellite Radius 15 P50W-C Right Side](#)

Toshiba Satellite Radius 15 P50W-C

[C70-A Series Right Side](#)

Toshiba C70-A Series

[PT930 Right Side](#)

Toshiba PT930

[Satellite Pro R50-D Series Right Side](#)

Toshiba Satellite Pro R50-D Series

[Satellite Radius 12 P20W-C Right Side](#)

Toshiba Satellite Radius 12 P20W-C

This manual is also suitable for:

[PspaaU-01200sPspadc-ma605cPspagu-00j00xP100](#)