

Right Side - Toshiba PSPB0U-00W008 User Manual

User manual

1
2
3
4
5
6
7
8
9
10
11
12
13
14
15
16
17
18

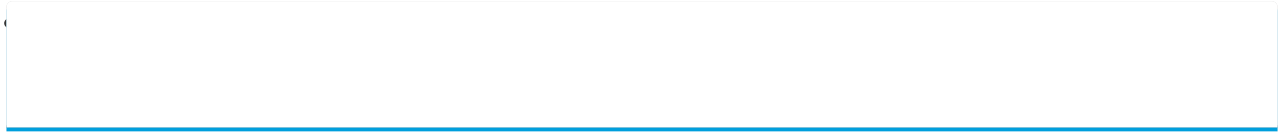
Table Of Contents

19
20
21
22
23
24
25
26
27
28
29
30
31
32
33
34
35
36
37
38
39
40
41
42
43
44
45
46
47
48
49
50
51
52
53
54
55
56
57
58
59
60
61
62
63
64
65
66
67

68
69
70
71
72
73
74
75
76
77
78
79
80
81
82
83
84
85
86
87
88
89
90
91
92
93
94
95
96
97
98
99
100
101
102
103
104
105
106
107
108
109
110
111
112
113
114
115
116
117

118
119
120
121
122
123
124
125
126
127
128
129
130
131
132
133
134
135
136
137
138
139
140
141
142
143
144
145
146
147
148
149
150
151
152
153
154
155
156
157
158
159
160
161
162
163
164
165
166
167

168
169
170
171
172
173
174
175



•

-

Troubleshooting

•

Bookmarks



Multiple Digital Media

Card Slot*

Right side 

The following figure shows the computer's right side.

Universal Serial Bus

(USB) Port

Modem Jack

Optical Disc Drive and

LED

Fan Vents

To prevent possible over heating of the CPU, never block the fan vents.

User's Manual

The Multiple Digital Media Card Slot allows you to use media cards from digital still cameras and various forms of portable information equipment. (The availability of this function depends on the model you purchased.)

1. Universal Serial Bus (USB) Port
2. Modem Jack
3. Optical Disc Drive and LED

The right side of the computer

The Universal Serial Bus (USB 2.0 and 1.1 compatible) port enables USB-equipped devices such as keyboards, mice, hard drives, scanners and printers to be connected to the computer.

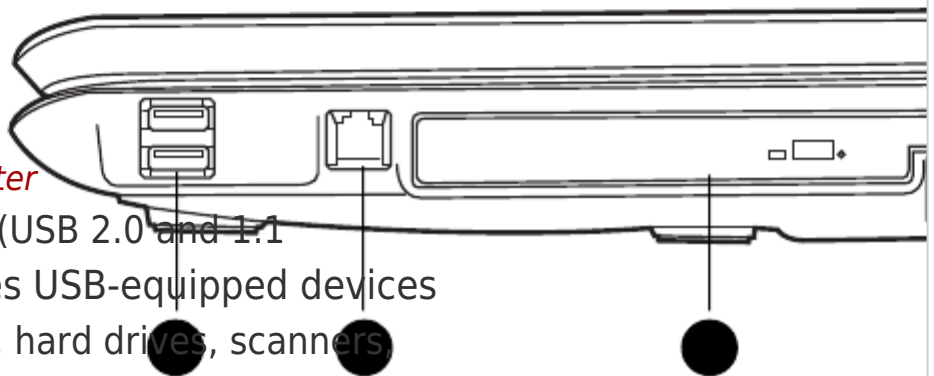
In regions where an internal modem is installed as standard equipment, this jack lets you use a modular cable to connect the modem directly to a telephone line.

The computer is configured with a full-size optical disc drive module that lets you run either 12 cm (4.72") or 8 cm (3.15") discs without using an adapter. See the Drives section in this chapter for technical specifications on each drive and

Chapter 4,

using the drive and caring for discs. The LED lets you know when the Optical Disc Drive is being accessed.

The fan vents help prevent the CPU from overheating.



ManualsLib.com

4

Fan Vents

5

Security Lock



Operating

Basics, for information on

The Grand Tour

2-3

Table of Contents

[Previous Page](#)
[Next Page](#)

1
...
38
39
40
41
42
43
44
45

Related Manuals for Toshiba PSPB0U-00W008

[Laptop Toshiba Satellite P200 Maintenance Manual](#)

(251 pages)

[Laptop Toshiba P205-S6277 User Manual](#)

P205-s6277 user's guide (242 pages)

[Laptop Toshiba Satellite P200 Series User Manual](#)

(238 pages)

[Laptop Toshiba Satellite P200 Series User Manual](#)

(220 pages)

[Laptop Toshiba Satellite Pro P200 Series User Manual](#)

(194 pages)

[Laptop Toshiba Satellite P200 Series User Manual](#)

Toshiba laptop user's manual p200 (194 pages)

[Laptop Toshiba Satellite P200 Series Maintenance Manual](#)

(193 pages)

[Laptop Toshiba P200 Series User Manual](#)

Toshiba dvd video player user's manual (183 pages)

[Laptop Toshiba P15-S4091 User Manual](#)

P15-s4091 user's guide (240 pages)

[Laptop Toshiba P25-S477 User Manual](#)

P25-s477 user's guide (232 pages)

[Laptop Toshiba P25-S509 User Manual](#)

P25-s509 user's guide (230 pages)

[Laptop Toshiba PSPB3U-01V00L Brochure](#)

Brochure (2 pages)

[Laptop Toshiba P300-ST3014 User Manual](#)

P300-st3014 user's guide (231 pages)

[Laptop Toshiba P500-ST5801 User Manual](#)

P500-st5801 user's guide (254 pages)

[Laptop Toshiba Satellite P30-132 User Manual](#)

Toshiba satellite p30-132: user guide (165 pages)

[Laptop Toshiba Satellite P20-8PW User Manual](#)

Toshiba satellite p20-8pw: user guide (142 pages)

Related Content for Toshiba PSPB0U-00W008

[Satellite L40-C Series Right Side](#)

Toshiba Satellite L40-C Series

[Satellite U930 Series Right Side](#)

Toshiba Satellite U930 Series

[Tecra A40 C Series Right Side](#)

Toshiba Tecra A40 C Series

[Satellite Radius 15 P50W-C Right Side](#)

Toshiba Satellite Radius 15 P50W-C

[C70-A Series Right Side](#)

Toshiba C70-A Series

[PT930 Right Side](#)

Toshiba PT930

[Satellite Pro R50-D Series Right Side](#)

Toshiba Satellite Pro R50-D Series

[Satellite Radius 12 P20W-C Right Side](#)

Toshiba Satellite Radius 12 P20W-C

This manual is also suitable for:

[P200 series](#)