

Install Indoor Unit - Sanyo SAP-K18AM Instruction Manual

Split system air conditioner

1

2

Table Of Contents

3

4

5

6

7

8

9

10

11

12

13

14

15

16

17

18
19
20
21
22
23
24
25
26
27
28
29
30
31
32
33
34
35
36
37

•

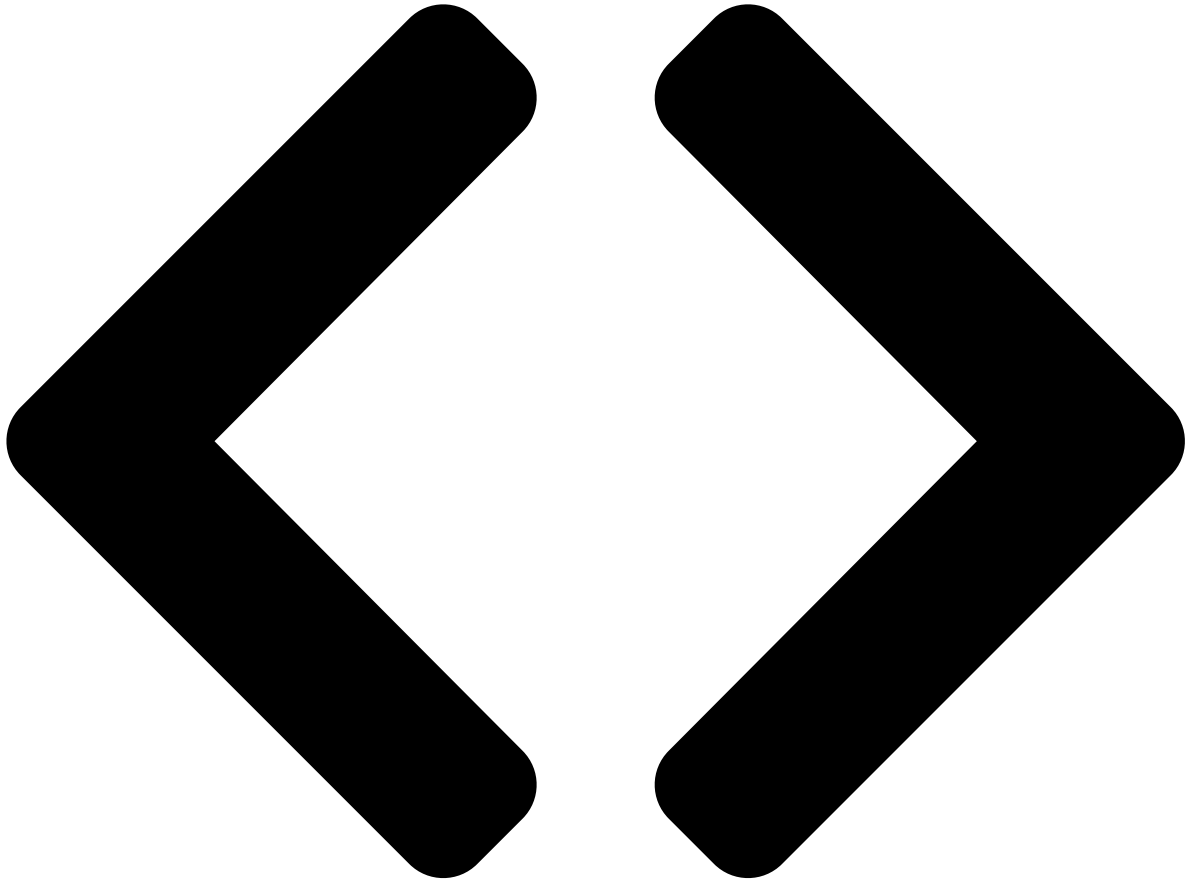
[Table of Contents](#)

-

Troubleshooting

•

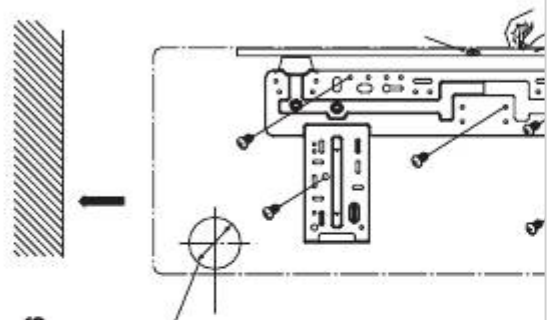
Bookmarks



9. INSTALL INDOOR UNIT

9.1 Install the Real Panel

1. Always mount the rear panel horizontally. Due to the water tray of indoor unit has been adopted the both-way drainage design, the outlet of water tray should be adjusted slightly down when installing, that is taking the outlet of the water tray as the center of a circle, the included angle between



0 or more, that is good for condensing water drainage.

2. Fix the rear panel on the wall with screws. (Where is pre-covered with plastic granula)

3. Be sure that the rear panel has been fixed firmly enough to support the weight of an adult of 60kg, further more, the weight should be evenly shared by each screw.

9.2 Install the Piping Hole

1. Determine which side of the unit you should make the hole for tubing and wiring. (Fig.12)

2. Make the piping hole ($\phi 55$) in the wall at a slight downward slant to the outdoor side. (Fig.13)

- Before making the hole, check

carefully that no studs or pipes are directly run behind the spot to be cut.

- Also avoid areas where **electrical wiring or conduits are located.**

3. Insert the piping-hole sleeve into the hole to prevent the connection piping and wiring from being damaged when passing through the hole.

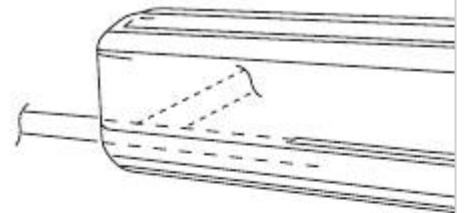
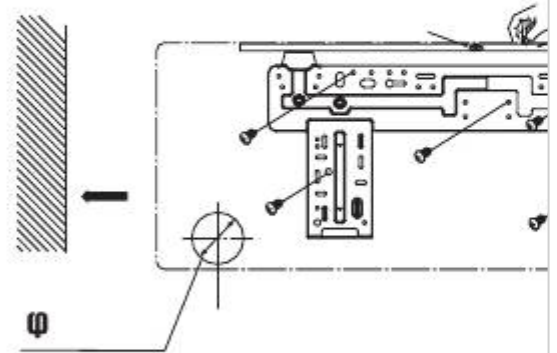
9.3 Install the Water Drainage Pipe

1. Drainage hose must be placed at downward slant downward slant for smooth drainage.

2. Do not ████████ bend or heave the drainage hose or flood its end by water. (Fig.14)

3. The prolonged drainage hose should be covered by heat insulation material when through indoor.

Mark on the
Wall
middle of it



to the wall
150mm above
Left
55mm
(Rear piping hole)
Left tubing
Left-rear tubing
Wall pipe
Gradienter
(Rear piping hole)

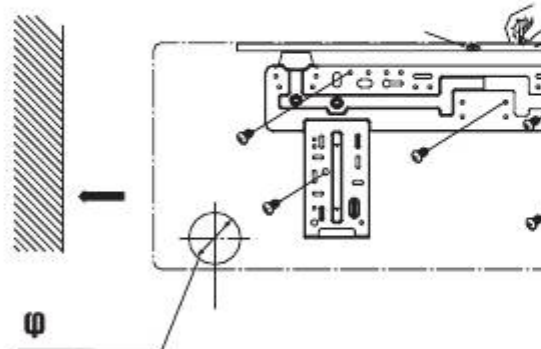


Fig.11
Right-rear tubing
(recommended)
Right tubing
Fig.12

Indoor
Outdoor

Seal pad
Protection sleeve pipe

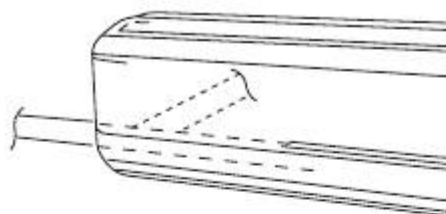
Fig.13
Wrenched
Fig.14

Wall

Space to the wall
150mm above

Right
55mm

$\phi 55$
Bent
Flooded
24



ManualsLib.com

ϕ



[Previous Page](#)
[Next Page](#)

1
...
23
24
25
26
27
28
29
30

Quick Links:

[Table of Contents](#)

[Notices for Operation](#)

[Operation and Maintenance](#)

[Names and Functions of each Part](#)

[Operation of Wireless Remote Control Unit](#)

[Troubleshooting](#)

[Install Outdoor Unit](#)

[Check after Installation and Test Operation](#)

Related Manuals for Sanyo SAP-K18AM

[Air Conditioner Sanyo SAP-K9AP Instruction Manual](#)

Split system air conditioner (37 pages)

[Air Conditioner Sanyo SAP-K77RAX Technical & Service Manual](#)

Split system air conditioner (68 pages)

[Air Conditioner Sanyo SAP-K91AHA Technical & Service Manual](#)

(78 pages)

[Air Conditioner Sanyo SAP-K181AHA-S Technical & Service Manual](#)

(78 pages)

[Air Conditioner Sanyo SAP-K92A Technical & Service Manual](#)

Split system air conditioner (58 pages)

[Air Conditioner Sanyo SAP - K92AH Technical & Service Manual](#)

(52 pages)

[Air Conditioner Sanyo SAP-K91AA Technical & Service Manual](#)

(66 pages)

[Air Conditioner Sanyo SAP-K161GJA Technical & Service Manual](#)

Split system air conditioner (86 pages)

[Air Conditioner Sanyo SAP-K71GJA Technical & Service Manual](#)

Split system air conditioner (81 pages)

[Air Conditioner Sanyo SAP-K77GHAX Technical & Service Manual](#)

(164 pages)

[Air Conditioner Sanyo SAP-K71GJHA Technical & Service Manual](#)

(86 pages)

[Air Conditioner Sanyo SAP-K71GJA-S Technical & Service Manual](#)

(81 pages)

[Air Conditioner Sanyo SAP-K181GJH Technical & Service Manual](#)

Indoor/outdoor units (75 pages)

[Air Conditioner Sanyo SAP-K181AA Technical & Service Manual](#)

Split system air conditioner (66 pages)

[Air Conditioner Sanyo SAP-CMRV1426EH Technical & Service Manual](#)

(148 pages)

[Air Conditioner Sanyo SAP-KMRV74EH Installation Instructions Manual](#)

Inverter split system air conditioner (24 pages)

Related Content for Sanyo SAP-K18AM

[SPW-X483GH56 How To Install The Indoor Unit](#)

Sanyo SPW-X483GH56

[26 series How To Install The Indoor Unit](#)

Sanyo 26 series

[COOL How To Install The Indoor Unit](#)

Sanyo COOL

[SAP-CRV93EHN Remove The Grille To Install The Indoor Unit](#)

Sanyo SAP-CRV93EHN

[SAP-KRV94EHDX Remove The Grille To Install The Indoor Unit](#)

Sanyo SAP-KRV94EHDX

[KS3082 How To Install The Indoor Unit](#)

Sanyo KS3082

[COOL How To Install The Indoor Unit](#)

Sanyo COOL

[KS1872 Remove The Grille To Install The Indoor Unit](#)

Sanyo KS1872

This manual is also suitable for:

Sap-k18amsSap-c18amSap-c18amsSap-k18aghSap-c18aghSap-kc18agh