

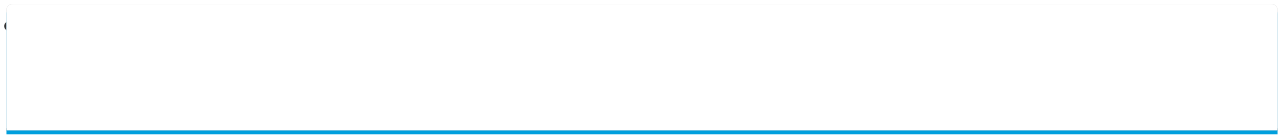


Sanyo DC-F380 Manual

Mini component system

1
2
3
4
5
6
7
8
9
10
11
12
13
14
15
16
17
18

19
20
21



•

Bookmarks

[Download this manual](#)

Quick Links



Notice



- | | |
|--|---|
| <input type="checkbox"/> CORRECTION | <input checked="" type="checkbox"/> PRODUCTION CHANGE |
| <input type="checkbox"/> SERVICE FLASH | <input type="checkbox"/> ADD INFORMATION |
| <input type="checkbox"/> | <input type="checkbox"/> |

FILE NO.

Please add this notice to the Service Manual listed below.

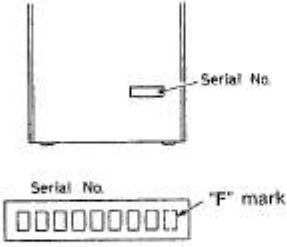
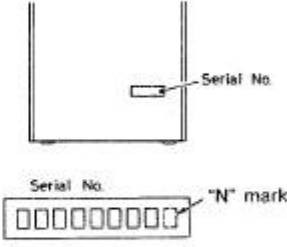
Category : Mini Component System	Date : July, 1996
Model : DC-F380/DC-F380U	
Destination : XE/UK	Reference No. : SM580674
	Issue Number : 1

Prod. Cord : 129 478 05 (XE)
129 479 04 (UK)

CONTENTS

1. CD CHANGER OPERATION DESCRIPTION	1
2. CD CHANGER REPLACEMENT	5
3. CD MECHANISM ADJUSTMENTS	10
4. EXPLODED VIEW	12
5. CD CHANGER MECHANISM PARTS LIST	13

Since there are two type of DC-F380, which are used in different CD changer mechanism, before servicing, please be sure which type of DC-F380 you will repair. You can find the proper type of it by confirming the serial number.

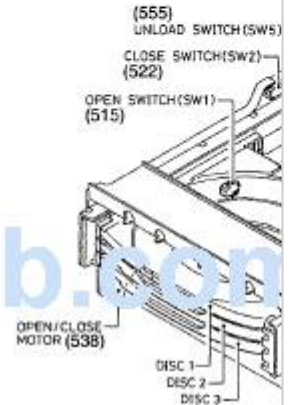
TYPE	1	2
SERIAL NO.		
CD MECHANISM	PM-CDCH31/SP	PM-CD96CHN1/SP
SERVICE MANUAL AND (NOTICE)	SM580674	SM580674 SM580674-01 (PRODUCTION CHANGE NOTICE)

REFERENCE No. SM580674-01

CD CHANGER OPERATION DESCR

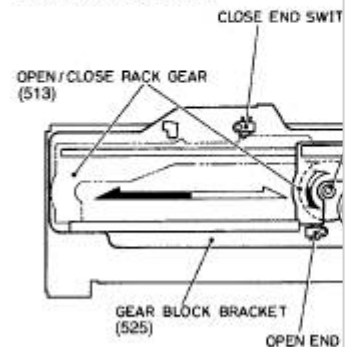
- This set is capable of stocking and playing
- While playing a CD, other discs can be rep
- In this case, press the button for the disc N
- When the "POWER" button is turned off, th

a. MOTOR & MECHANISM SWITCHES LA



b. FUNCTION (1) OPEN/CLOSE

- (a) The rotation of the OPEN/CLOSE MOTOR rota OPEN/CLOSE IDLER GEAR via the BELT and and the RACK GEAR which is intermeshed with OPEN/CLOSE IDLER GEAR moves forward du backwards during "CLOSE".



[Next Page](#)

1
2
3
4
5

Related Manuals for Sanyo DC-F380

[Speaker System Sanyo DC-LD5 Instruction Manual](#)

Midi component system with fully compatible disc player (31 pages)

[Speaker System Sanyo DC-DA380 Service Manual Supplement](#)

Micro component system (6 pages)

[Speaker System Sanyo DC-T44 Service Manual](#)

(47 pages)

[Speaker System Sanyo DC F200 Instruction Manual](#)

Mini component system (12 pages)

[Speaker System Sanyo FWSB405FS Owner's Manual](#)

Soundbar with bluetooth wireless technology (16 pages)

[Speaker System Sanyo FWSB415E Owner's Manual](#)

(24 pages)

[Speaker System Sanyo HT-D47 Service Manual](#)

Av surround processor (8 pages)

[Speaker System Sanyo FWSB405F A Owner's Manual](#)

(21 pages)

[Speaker System Sanyo FWSB415E Quick Start Manual](#)

(26 pages)

[Speaker System Sanyo M908DSR Instruction Manual](#)

(14 pages)

Related Products for Sanyo DC-F380

[Sanyo DC F200](#)

[Sanyo DC-DA380](#)

[Sanyo DC-T44](#)

[Sanyo DC-F300](#)

[Sanyo DC-F430AV](#)

[Sanyo DC-F21](#)

[Sanyo DC-F320](#)

[Sanyo DC-F190](#)

[Sanyo DC-F400](#)

[Sanyo DC-F210](#)

[Sanyo DC-F105](#)

[Sanyo DC-F110](#)

[Sanyo DC-F170](#)

[Sanyo DC-F450](#)

[Sanyo dcf150](#)

This manual is also suitable for:

[Dc-f380u](#)