



# Construction Views - Toshiba RAS-13SKV-E Service Manual

Indoor/outdoor unit, split type air conditioner



1  
2  
3  
4  
5  
6  
7  
8  
9  
10  
11  
12  
13  
14  
15  
16  
17  
18

19  
20  
21  
22  
23  
24  
25  
26  
27  
28  
29  
30  
31  
32  
33  
34  
35  
36  
37  
38  
39  
40  
41  
42  
43  
44  
45  
46  
47  
48  
49  
50  
51  
52  
53  
54  
55  
56  
57  
58  
59  
60  
61  
62  
63  
64  
65  
66  
67  
68

69  
70  
71  
72  
73  
74  
75  
76  
77  
78  
79  
80  
81  
82  
83  
84  
85  
86  
87  
88  
89  
90  
91  
92  
93  
94  
95  
96  
97  
98  
99  
100  
101  
102  
103  
104  
105  
106  
107  
108  
109  
110  
111  
112  
113  
114  
115  
116  
117  
118

119

120



•

[Table of Contents](#)

- 

Troubleshooting



•

## Bookmarks





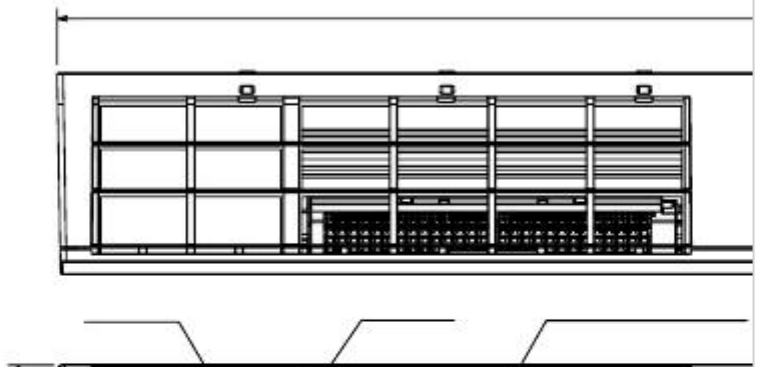
4-1. Indoor Unit  
RAS-10SKVR-E  
RAS-13SKVR-E  
RAS-16SKVR-E

Front panel  
48

Knock out system  
Installation plate hanger  
(For 10, 13 series; Flare)

## 4. CONSTRUCTION VIEWS

Air filter  
Heat exchanger  
116  
Installation plate hanger



Connecting pipe (0.35m)  
9.52mm  
(For 16 series; Flare  
12.7mm)

84.5  
Hanger

Minimum  
distance  
to ceiling  
170 or more

Hanger  
84.5

150

Center line

790

Plasma air purifier

Air inlet

480

Drain hose (0.50m)

Connecting pipe (0.40m)

(Flare

621

235

235

215

215

Minimum  
distance  
to ceiling

Hanger  
160.5

160.5

150

Installation plate outline  
- 15 -

Air ionizer

Knock out system

62

69

193

56

Wireless remote controller  
6.35mm)

84.5

84.5

63

Remote controller holder

Minimum  
distance  
to ceiling  
170 or more

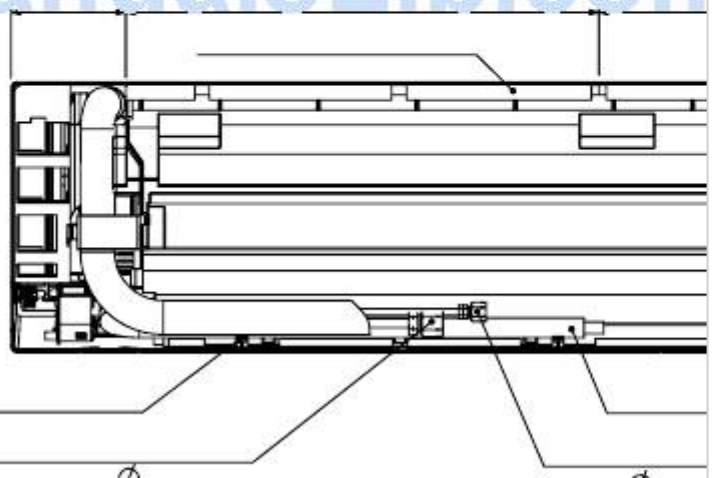
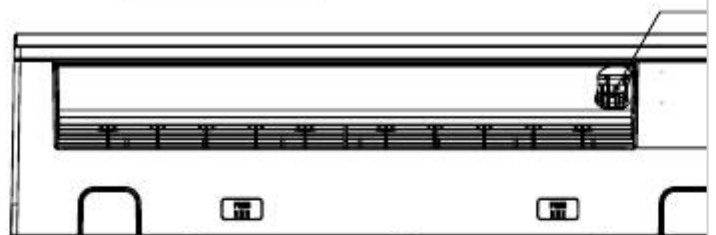
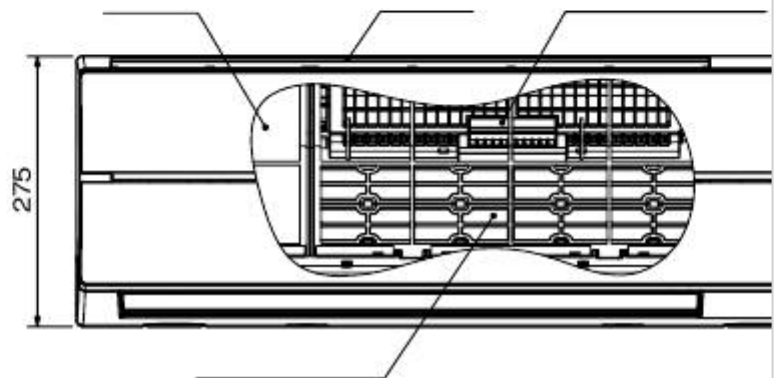
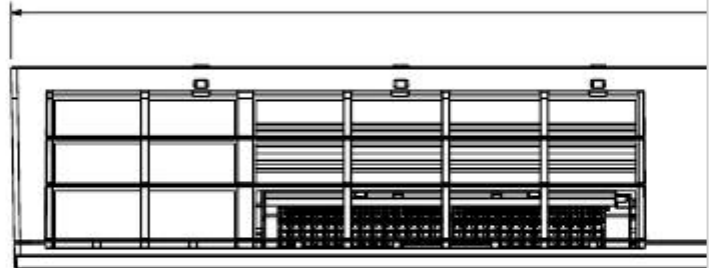
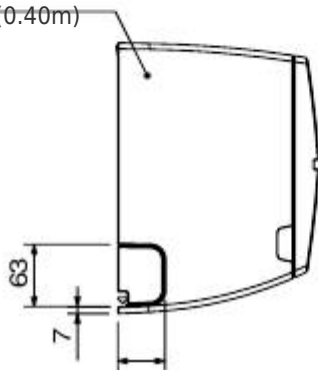
84.5

205

48

19

26



ManualsLib.com

[Table of Contents](#)

[Previous Page](#)  
[Next Page](#)

1  
...  
12  
13  
14  
15  
16  
17  
18  
19

Quick Links:

[Service Manual](#)

[Specifications](#)

[How to Diagnose the Trouble](#)

## Chapters

[Service Manual 2](#)

[Auto Restart Function/Remote Controller and Its Functions 31](#)

## Related Manuals for Toshiba RAS-13SKV-E

[Air Conditioner Toshiba RAS-13SKV-E Service Manual](#)

Split type indoor/outdoor unit (121 pages)



[Air Conditioner Toshiba RAS-B10SKVP-E Service Manual](#)

Split type air conditioner (119 pages)

[Air Conditioner Toshiba RAS-B10SKVP-E Owner's Manual](#)

Split type air conditioner (91 pages)

[Air Conditioner Toshiba RAS-B10SKVP-E Installation Manual](#)

(19 pages)

[Air Conditioner Toshiba RAS-B10SKVP-E Installation Manual](#)

(148 pages)

[Air Conditioner Toshiba RAS-B10SKVP-E Service Manual](#)

(120 pages)

[Air Conditioner Toshiba RAS-16SKVP-ND Owner's Manual](#)

(230 pages)

[Air Conditioner Toshiba RAS-10 SKV Series Owner's Manual](#)

(8 pages)

[Air Conditioner Toshiba RAS-10 SKV Series Owner's Manual](#)

Air conditioner (split type) (4 pages)

[Air Conditioner Toshiba RAS-13SKHP-E Service Manual](#)

Split wall type air conditioner (70 pages)

[Air Conditioner Toshiba RAS-10SKH-ES Service Manual](#)

Split wall type (68 pages)

[Air Conditioner Toshiba RAS-B10 Series Installation Manual](#)

(68 pages)

[Air Conditioner Toshiba RAS-10S3KV-E Owner's Manual](#)

(7 pages)

[Air Conditioner Toshiba RAS-13S3KV-E Service Manual](#)

(108 pages)

[Air Conditioner Toshiba RAS-24S3KHS-EE Owner's Manual](#)

(8 pages)

[Air Conditioner Toshiba RAS-10SKP Series Owner's Manual](#)

(8 pages)

## Related Content for Toshiba RAS-13SKV-E

[RAS-2M10G3AVG-E Construction Views](#)

Toshiba RAS-2M10G3AVG-E

[RAS-5M34G3AVG-E Construction Views](#)

Toshiba RAS-5M34G3AVG-E

[MMU-UP0031YHP-ETR Construction Views \(External Views\)](#)

Toshiba MMU-UP0031YHP-ETR

[RAV-GV1101AT8P-TR Construction Views \(External Views\)](#)

Toshiba RAV-GV1101AT8P-TR

[Carrier MMU-UP0151YHP-UL Construction Views \(External Views\)](#)

Toshiba Carrier MMU-UP0151YHP-UL

[MCY-MHP0806HT8-C Series Construction Views](#)

Toshiba MCY-MHP0806HT8-C Series

[Carrier TCB-IFDMR01UP-UL Construction Views \(External Views\)](#)

Toshiba Carrier TCB-IFDMR01UP-UL

[RAV-GM562ATP-TR Construction Views \(External Views\)](#)

Toshiba RAV-GM562ATP-TR

This manual is also suitable for:

[Ras-13sav-eRas-16skv-eRas-10savr-eRas-13skvr-eRas-13savr-eRas-16sav-e](#) ... [Show all](#)