



# Outdoor Unit - Toshiba RAS-13SKV-E Service Manual

Indoor/outdoor unit, split type air conditioner



1  
2  
3  
4  
5  
6  
7  
8  
9  
10  
11  
12  
13  
14  
15  
16  
17  
18

19  
20  
21  
22  
23  
24  
25  
26  
27  
28  
29  
30  
31  
32  
33  
34  
35  
36  
37  
38  
39  
40  
41  
42  
43  
44  
45  
46  
47  
48  
49  
50  
51  
52  
53  
54  
55  
56  
57  
58  
59  
60  
61  
62  
63  
64  
65  
66  
67  
68

69  
70  
71  
72  
73  
74  
75  
76  
77  
78  
79  
80  
81  
82  
83  
84  
85  
86  
87  
88  
89  
90  
91  
92  
93  
94  
95  
96  
97  
98  
99  
100  
101  
102  
103  
104  
105  
106  
107  
108  
109  
110  
111  
112  
113  
114  
115  
116  
117  
118

119

120



•

[Table of Contents](#)

- 

Troubleshooting



•

## Bookmarks





### 4-3. Outdoor Unit

600

50

R15

36

Ø6 hole

R5.5

A detail Drawing (Back leg)

290

A

30

Ø

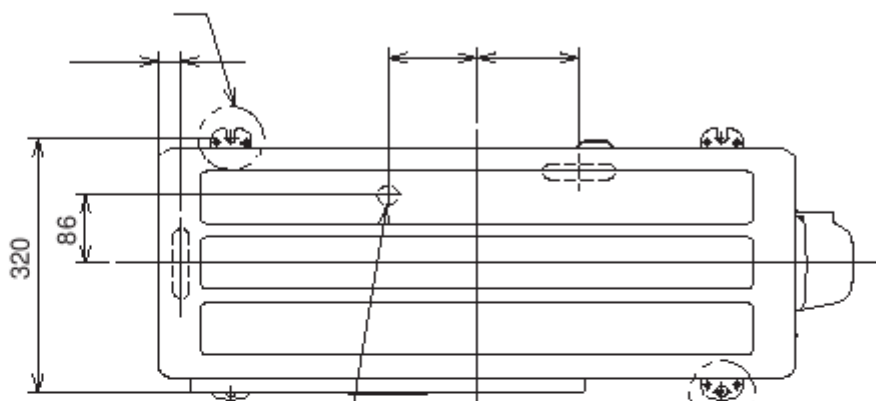
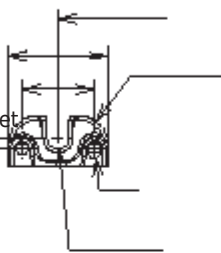
25 Drain outlet

FAN-GUARD

Ø 436

90

100 or more



Air outlet  
100 or more

## Installation dimension

108  
125  
- 2  
Ø

11 x 14 Hole  
(For 8 - 10 anchor bolt)

Ø  
Ø

600  
90

Z View

600

Air inlet  
600 or more  
600 or more

- 17 -

Ø6 hole

Ø11x14 hole

B Detail Drawing (Front leg)

320

69

342

2 - R5-5 x 17L Ushape

(For Ø8 - Ø10 anchor bolt)

2 - Ø11 x 14 Long holes (For Ø8 - Ø10 anchor bolt)

36

R15

50

COVER-PV

Z

Electrical part cover

Liquid side

(Flare

Ø

6.35)

Gas side

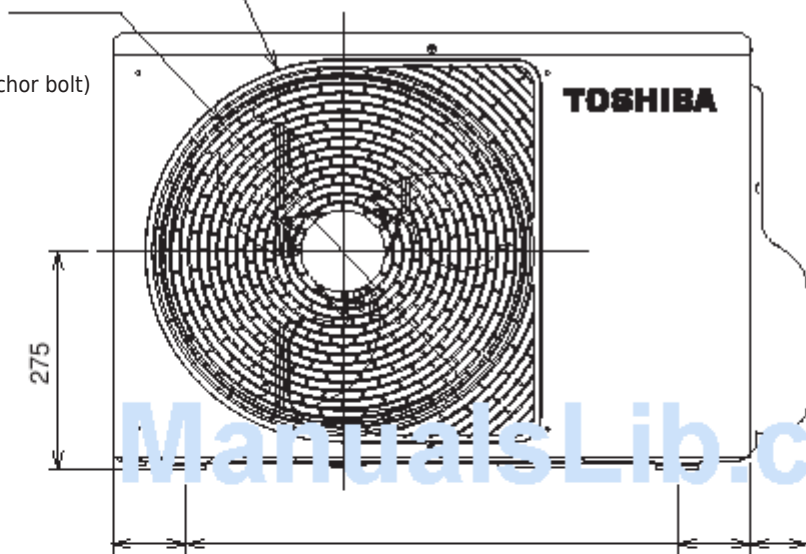
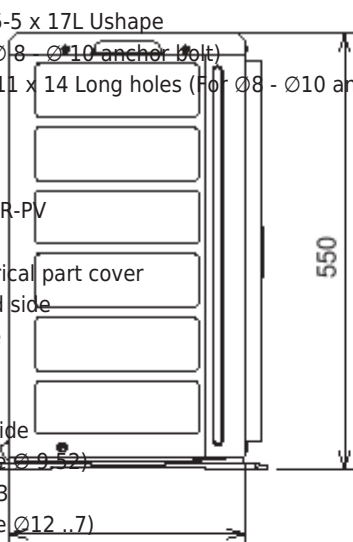
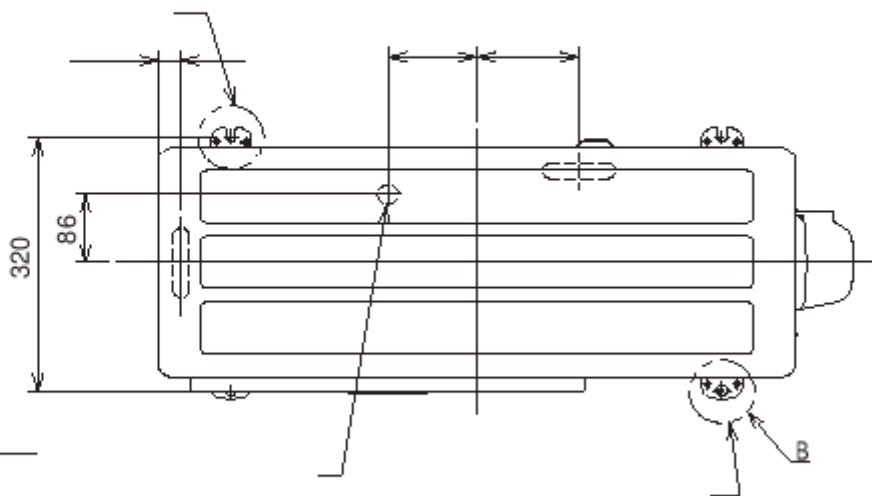
: Flare (Ø 9.52)

(10,13

: Flare (Ø12.7)

(16

Service port



[Table of Contents](#)

[Previous Page](#)  
[Next Page](#)

1  
...  
14  
15  
16  
17  
18  
19  
20  
21

Quick Links:

[Service Manual](#)

[Specifications](#)

[How to Diagnose the Trouble](#)

## Chapters

[Service Manual 2](#)

[Auto Restart Function/Remote Controller and Its Functions 31](#)

## Related Manuals for Toshiba RAS-13SKV-E

[Air Conditioner Toshiba RAS-13SKV-E Service Manual](#)

Split type indoor/outdoor unit (121 pages)



[Air Conditioner Toshiba RAS-B10SKVP-E Service Manual](#)

Split type air conditioner (119 pages)

[Air Conditioner Toshiba RAS-B10SKVP-E Owner's Manual](#)

Split type air conditioner (91 pages)

[Air Conditioner Toshiba RAS-B10SKVP-E Installation Manual](#)

(19 pages)

[Air Conditioner Toshiba RAS-B10SKVP-E Installation Manual](#)

(148 pages)

[Air Conditioner Toshiba RAS-B10SKVP-E Service Manual](#)

(120 pages)

[Air Conditioner Toshiba RAS-16SKVP-ND Owner's Manual](#)

(230 pages)

[Air Conditioner Toshiba RAS-10 SKV Series Owner's Manual](#)

(8 pages)

[Air Conditioner Toshiba RAS-10 SKV Series Owner's Manual](#)

Air conditioner (split type) (4 pages)

[Air Conditioner Toshiba RAS-13SKHP-E Service Manual](#)

Split wall type air conditioner (70 pages)

[Air Conditioner Toshiba RAS-10SKH-ES Service Manual](#)

Split wall type (68 pages)

[Air Conditioner Toshiba RAS-B10 Series Installation Manual](#)

(68 pages)

[Air Conditioner Toshiba RAS-10S3KV-E Owner's Manual](#)

(7 pages)

[Air Conditioner Toshiba RAS-13S3KV-E Service Manual](#)

(108 pages)

[Air Conditioner Toshiba RAS-24S3KHS-EE Owner's Manual](#)

(8 pages)

[Air Conditioner Toshiba RAS-10SKP Series Owner's Manual](#)

(8 pages)

## Related Content for Toshiba RAS-13SKV-E

[RAS-M07N3KV2 Series Outdoor Unit](#)

Toshiba RAS-M07N3KV2 Series

[Carrier MMU-UP0151YHP-UL Check Codes Displayed On Remote Controller And Smms Series Outdoor Unit \(7-Segment Display On I/F Board\) And Locations To Be Checked](#)

Toshiba Carrier MMU-UP0151YHP-UL

[RAS-B24B2KVG-E Outdoor Unit](#)

Toshiba RAS-B24B2KVG-E

[MMY-MAP0806FT8P-E Carrying In The Outdoor Unit](#)

Toshiba MMY-MAP0806FT8P-E

[MCY-MHP0806HT8-C Series Function To Start / Stop \(On / Off\) Indoor Unit From Outdoor Unit](#)

Toshiba MCY-MHP0806HT8-C Series

[MMY-MUP0961HT6P-UL Function To Start/Stop \(On/Off\) Indoor Unit From Outdoor Unit](#)

Toshiba MMY-MUP0961HT6P-UL

[RAV-GM562ATP-TR Outdoor Unit](#)

Toshiba RAV-GM562ATP-TR

[MMY-MUP0721FT6P-UL Function To Start/Stop \(On/Off\) Indoor Unit From Outdoor Unit](#)

Toshiba MMY-MUP0721FT6P-UL

This manual is also suitable for:

[Ras-13sav-eRas-16skv-eRas-10savr-eRas-13skvr-eRas-13savr-eRas-16sav-e](#) ... [Show all](#)