

Air-Discharge Chamber For Top Discharge; Installing The Unit In Heavy Snow Areas; Precautions For Installation In Heavy Snow Areas - Sanyo 26 series Installation Instructions Manual

Split system heat pump air conditioner

1

2

3

4

5

Table Of Contents

6

7

8

9

10

11

12

13

14

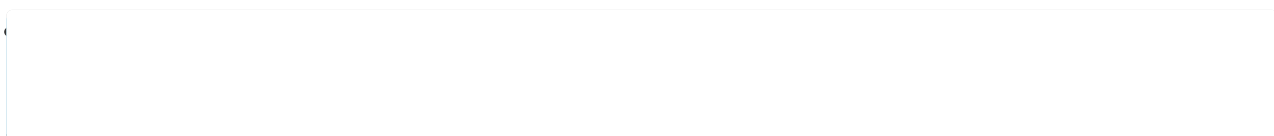
15

16

17

18
19
20
21
22
23
24
25
26
27
28
29
30
31
32
33
34
35
36
37
38
39
40
41
42
43
44
45
46
47
48
49
50
51
52
53
54
55
56
57
58
59
60
61
62
63
64
65
66
67

68
69
70
71
72
73
74
75
76
77
78
79
80
81
82
83
84
85
86
87
88
89
90
91
92
93
94
95
96
97
98
99
100
101
102
103
104
105
106
107
108
109
110

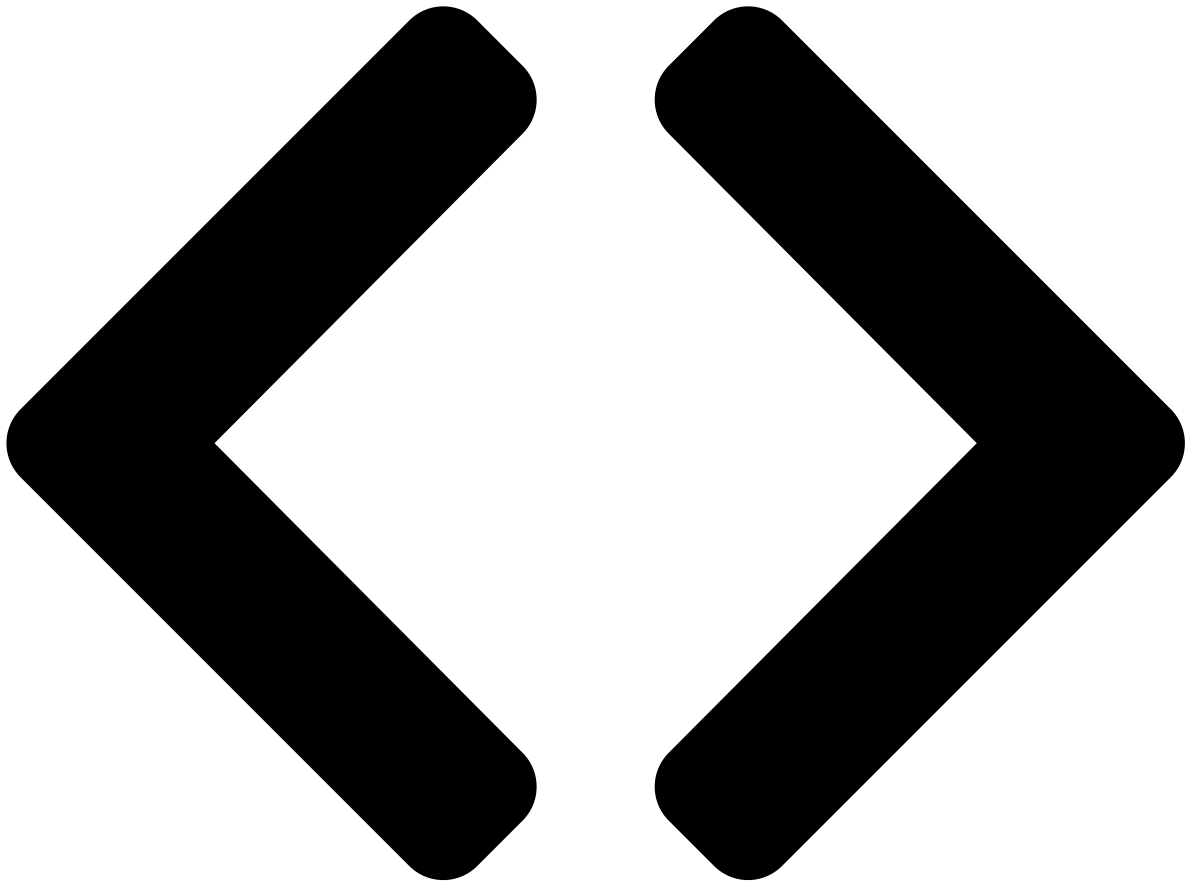


•

[Table of Contents](#)

•

Bookmarks



Enlarged version

2-3. Air-Discharge Chamber for Top Discharge

Be sure to install an air discharge chamber in the field when:

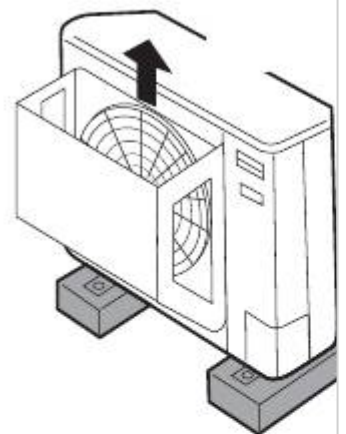
G
it is difficult to keep a space of min. 20" between the air discharge outlet and an obstacle.

G
the air discharge outlet is facing a sidewalk and discharged hot air may bother passers-by.

Refer to Fig. 2-5.

2-4. Installing the Unit in Heavy Snow Areas

In locations with strong wind, snow-proof ducting



should be fitted and direct exposure to the wind should be avoided as much as possible.

I Countermeasures against snow and wind

In regions with snow and strong wind, the following problems may occur when the outdoor unit is not provided with a platform and snow-proof ducting:

- a) The outdoor fan may not run and damage to the unit may occur.
- b) There may be no air flow.
- c) The tubing may freeze and burst.
- d) The condenser pressure may drop because of strong wind, and the indoor unit may freeze.

2-5. Precautions for Installation in Heavy Snow Areas

- (1) The platform should be higher than the max. snow depth. (Fig. 2-6)
- (2) The 2 anchoring feet of the outdoor unit should be used for the platform, and the platform should be installed beneath the air intake side of outdoor unit.
- (3) The platform foundation must be firm and the unit must be secured with anchor bolts.
- (4) In case of installation on a roof subject to strong wind, countermeasures must be taken to prevent the unit from being blown over.

Air discharge

In regions with significant snowfall, the outdoor unit should be provided with a platform and snow-proof duct.

Without snow-proof ducting
(Low platform)

18

Air discharge

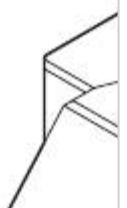
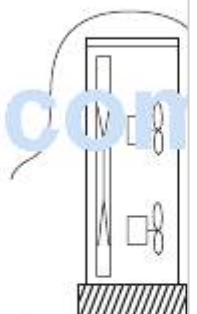
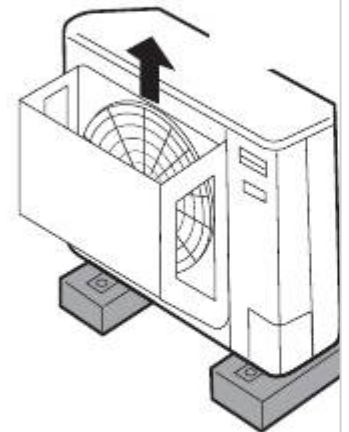
Fig. 2-5

With snow-proof ducting
(High platform)

Fig. 2-6

Outdoor Unit
Duct
Air Intake

Fig. 2-7



[Previous Page](#)
[Next Page](#)

1
...
15
16
17
18
19
20
21
22

Quick Links:

[Indoor Unit](#)

[Outdoor Unit](#)

[Trouble Diagnostics](#)

Related Manuals for Sanyo 26 series

[Air Conditioner Sanyo Big PACi 18 Series Technical Data & Service Manual](#)

Big pack i dc inverter (275 pages)

[Air Conditioner Sanyo C4272R Service Manual](#)

Sanyo split system air conditioner service manual (181 pages)

[Air Conditioner Sanyo C4272R S/C Installation Instructions Manual](#)

Sanyo split system heat pump air conditioner installation instructions (111 pages)

[Air Conditioner Sanyo C3072R Parts List](#)

Outdoor unit (4 pages)

[Air Conditioner Sanyo CH3672R Parts List](#)

Outdoor unit (4 pages)

[Air Conditioner Sanyo 000-31 Specifications](#)

Concealed duct air conditioner & heat pump 24,000-31,200 btu/h 13.9-14.9 seer
(2 pages)

[Air Conditioner Sanyo 26KS72R Specifications](#)

Wall mounted air conditioner (2 pages)

[Heat Pump Sanyo 26THW72R Specifications](#)

Ceiling suspended heat pump (2 pages)

[Air Conditioner Sanyo 26UW72R Specifications](#)

Concealed duct air conditioner (2 pages)

[Air Conditioner Sanyo 26KHS72R Submittal Data](#)

Wall mounted heat pump (2 pages)

[Air Conditioner Sanyo 36UW72R Specifications](#)

Concealed duct air conditioner (2 pages)

[Air Conditioner Sanyo KHHS2672R Specifications](#)

Wall mounted heat pump with heater (2 pages)

[Air Conditioner Sanyo KHS3072R Specifications](#)

Wall mounted air conditioner (2 pages)

[Air Conditioner Sanyo KHS3672R Datasheet](#)

Wall mounted air conditioner (2 pages)

[Air Conditioner Sanyo THW3672R Specifications](#)

Ceiling suspended air conditioner (2 pages)

[Air Conditioner Sanyo XHW2672R Specifications](#)

Ceiling recessed air conditioner (2 pages)

Related Content for Sanyo 26 series

[ECO-i AHX0752 Rcs-Sh80Aab.wl For 4-Way Air Discharge Semi-Concealed \(X Type\)](#)

Sanyo ECO-i AHX0752

[SPW-CR363GVH8 Way Air Discharge Semi-Concealed Type](#)

Sanyo SPW-CR363GVH8

[SAP-KV94GJ Air Discharge](#)

Sanyo SAP-KV94GJ

[SPW-CR1503GDYH8 Way Air Discharge Semi-Concealed Type](#)

Sanyo SPW-CR1503GDYH8

[Big PACi 18 Series 4-Way Air Discharge Semi-Concealed Type](#)

Sanyo Big PACi 18 Series

[SPW-C256VH Air Discharge Chamber For Top Discharge](#)

Sanyo SPW-C256VH

[SPW-CR365GXH56 Air Discharge Chamber For Top Discharge](#)

Sanyo SPW-CR365GXH56

[KS2432A Air Discharge Chamber For Top Discharge](#)

This manual is also suitable for:

[30 series](#)[36 series](#)[Split system heat pump air conditioner](#)[Ch2672r](#)[Ch3072r](#)[Ch3672r](#) ... [Show all](#)