



# (B) Heating - Sanyo SPW-X253GH56 Service Manual

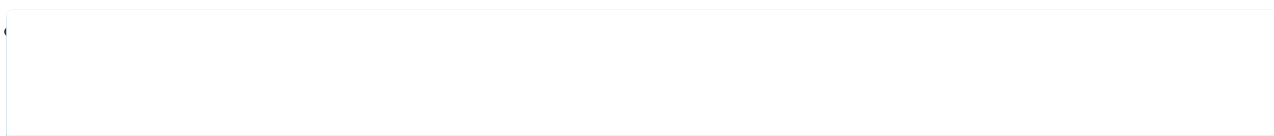
Split system



1
Table Of Contents
2
3
4
5
6
7
8
9
10
11
12
13
14
15
16
17

18  
19  
20  
21  
22  
23  
24  
25  
26  
27  
28  
29  
30  
31  
32  
33  
34  
35  
36  
37  
38  
39  
40  
41  
42  
43  
44  
45  
46  
47  
48  
49  
50  
51  
52  
53  
54  
55  
56  
57  
58  
59  
60  
61  
62  
63  
64  
65  
66  
67

68  
69  
70  
71  
72  
73  
74  
75  
76  
77  
78  
79  
80  
81  
82  
83  
84  
85  
86  
87  
88  
89  
90  
91  
92  
93  
94  
95  
96  
97  
98  
99  
100  
101  
102  
103  
104  
105



•

[Table of Contents](#)

- 

Troubleshooting



•

## Bookmarks





## (B) Heating

REMOTE CONTROL  
SENSOR

(Only for wireless  
remote controller)

SET. +1°C

SETTING TEMP.

SET. -1°C

BODY SENSOR

+1°C

SET TEMP. +4°C SHIFT

-1°C

SET TEMP.

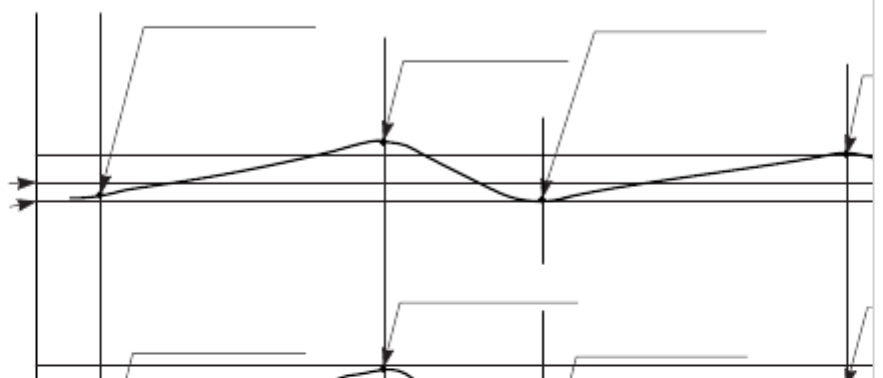
OFF

COMPRESSOR

1

OUTDOOR FAN

OFF



(H OR M)  
2  
OFF  
INDOOR FAN  
2

OFF  
STANDBY  
(31°C)  
INDOOR HEAT  
EXCH.  
COIL  
27°C  
TEMP.  
25°C  
E2  
SOLENOID  
COIL (4-WAY)  
TEMP.  
OPERATION  
OFF  
BUTTON

Once the compressor starts, it keeps running for 5 minutes.  
Once the compressor stops, it will not start running again for 3 minutes.  
If you change the operation mode (HEAT, DRY, COOL or FAN) during the heating cycle, the control circuit stops the compressor for 3 minutes.  
For 5 minutes after the compressor is first turned on, and for 3 minutes after it is turned off, the compressor is not controlled by the room sensor.

When set on remote control sensor

Thermo ON: When room temperature is  $-1^{\circ}\text{C}$  below the set temperature  $T^{\circ}$ .  
Thermo OFF: When the room temperature is  $1^{\circ}\text{C}$  above the set temperature  $T^{\circ}$ ,  $(T^{\circ} + 1^{\circ}\text{C})$

When set on body sensor

NOTE: In case of Body sensor, operating temperature is shifted to setting temperature  $+4^{\circ}\text{C}$ .

THERMO. ON \*  
THERMO. OFF  
THERMO. OFF  
THERMO. ON \*  
5 MINUTES \*  
3 MINUTES  
ON  
ON \*  
3 SECONDS

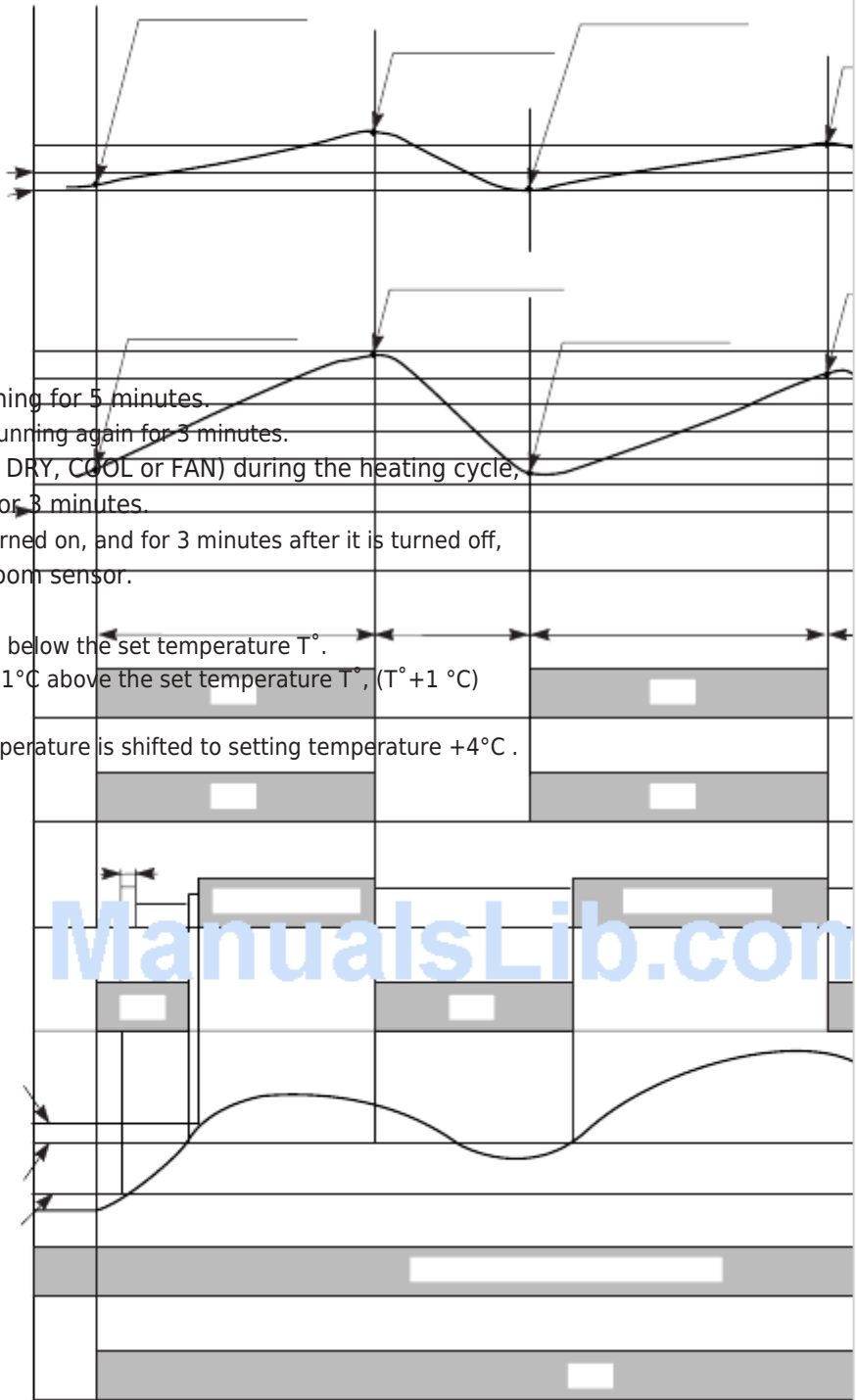
SET SPEED  
L  
LL  
L  
ON  
OFF  
ON (REVERSING CYCLE)

1. Refer to 2-4 Outdoor Fan Speed Control
2. Refer to 2-2 Cold Draft Prevention (Heating)

### Chart Summary and Explanations

Compressor  
Compressor

- 27 -



ManualsLib.com

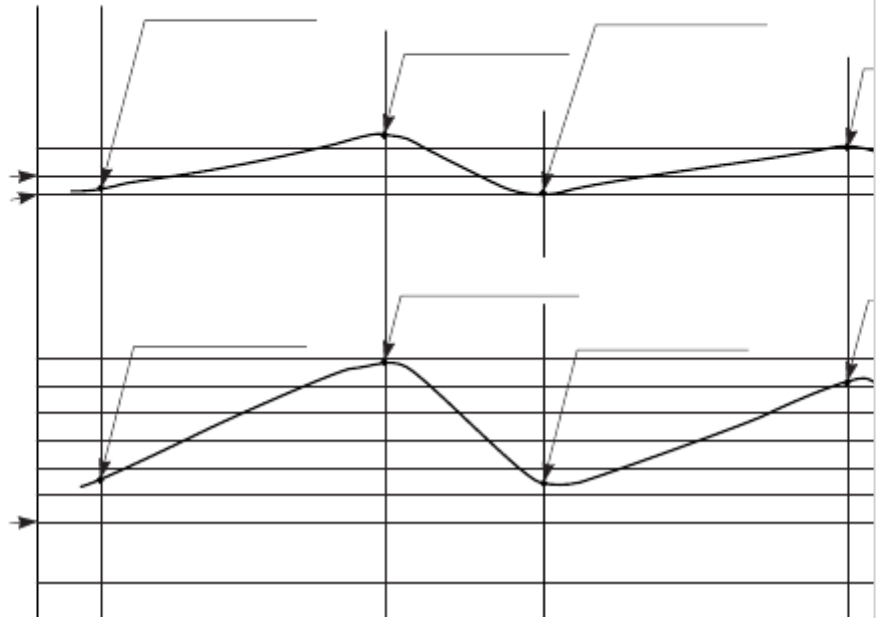
## 2. Processes and functions

THERMO. ON  
THERMO. ON  
MORE THAN  
5 MINUTES  
OFF  
ON

OFF  
ON  
SET SPEED  
LL  
ON

OFF  
ON  
ON  
OFF  
THERMO. OFF  
THERMO. ON  
THERMO. OFF  
THERMO. ON  
MORE THAN  
3 MINUTES  
OFF  
ON  
OFF  
ON  
ON  
SET SPEED  
LL  
ON  
OFF  
0672\_X\_5

Fig. 2  
SM830033



[Table of Contents](#)

[Previous Page](#)  
[Next Page](#)

1  
...  
23  
24  
25  
26  
27  
28  
29  
30



Quick Links:

[Unit Specifications](#)

[\(A\) Indoor Unit](#)

[\(B\) Outdoor Unit](#)

[Troubleshooting](#)

## Troubleshooting

[Troubleshooting](#) 57

[Check before and after Troubleshooting](#) 58

[General Troubleshooting Flow Chart: Diagnosis and Remedy](#) 60

## Related Manuals for Sanyo SPW-X253GH56

[Air Conditioner Sanyo SPW-X483GH56 Installation Instruction](#)

Eco multi system air conditioner (91 pages)

[Air Conditioner Sanyo SPW-U253GH56 Service Manual](#)

Split system air conditioner (108 pages)

[Air Conditioner Sanyo SPW-D253GH56 Service Manual](#)

Split system (108 pages)

[Air Conditioner Sanyo SPW-T253GH56 Service Manual](#)

Split system (106 pages)

[Air Conditioner Sanyo SPW-C256VH Technical Data & Service Manual](#)

4-way air discharge semi-concealed wall-mounted ceiling-mounted concealed-duct (517 pages)

[Air Conditioner Sanyo Big PACi 18 Series Technical Data & Service Manual](#)

Big pack i dc inverter (275 pages)

[Air Conditioner Sanyo SPW-X253G56 Service Manual](#)

Split system (72 pages)

[Air Conditioner Sanyo SPW-XR253GH56 Technical Data & Service Manual](#)

(223 pages)

[Air Conditioner Sanyo 2-WAY ECO-i SPW-C0705DXHN8 Service Manual](#)

Multi system (143 pages)

[Air Conditioner Sanyo SPW-XR254EH56 Installation And Operation Manual](#)

Dc inverter air conditioner (40 pages)

[Air Conditioner Sanyo Mini ECO-i SPW-ASR74GXH56\(A/B\) Installation Instructions Manual](#)

System air conditioner (49 pages)

[Air Conditioner Sanyo ECO G SGP-EGW190M2G2W Brochure & Specs](#)

Gas driven vrf m series (9 pages)

[Air Conditioner Sanyo SPW-C1155DXHN8 Technical Data & Service Manual](#)

2-way eco-i multi system (242 pages)

[Air Conditioner Sanyo SPW-FTR124EH56 Installation And Operation Manual](#)

Dc inverter air conditioner for refrigerant r410a (32 pages)

[Air Conditioner Sanyo SPW-C483GYH8 Service Manual](#)

Eco multi system (235 pages)

[Air Conditioner Sanyo SPW-CR1503GDYH8 Technical Data & Service Manual](#)

W-eco multi system series (377 pages)

## Related Content for Sanyo SPW-X253GH56

[ECO-i AHX0752 Automatic Control For Heating And Cooling](#)

Sanyo ECO-i AHX0752

[SA-123AH Heating Capacity](#)

Sanyo SA-123AH

[MINI ECO-i SPW-CR365GXH56B Fan Speed When Heating Thermostat Is Off](#)

Sanyo MINI ECO-i SPW-CR365GXH56B

[SAP-KM97GHS5A Heating Capacity](#)

Sanyo SAP-KM97GHS5A

[SPW-D253GH56 \(B\) Heating](#)

Sanyo SPW-D253GH56

[SPW-XR253GH56 \(B\) Heating](#)

Sanyo SPW-XR253GH56

[SA-93AH Heating Capacity](#)

Sanyo SA-93AH

[SAP-K77GHAX Heating Capacity](#)

Sanyo SAP-K77GHAX

This manual is also suitable for:

[Spw-c253gh5Spw-c253gh8Spw-x363gh56Spw-c363gh8Spw-x483gh56Spw-c483gh8](#)