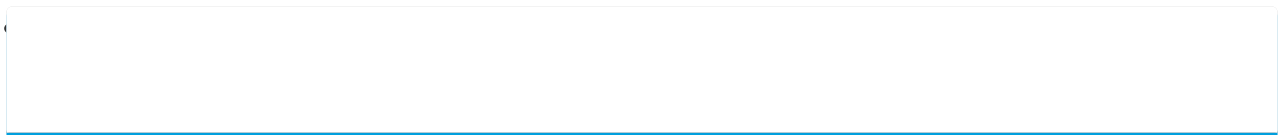


Concealed Installation - Toshiba RAS-M14GAV-E Installation Manual

Split type

1
Table Of Contents
2
3
4
5
6
7
8
9
10
11
12

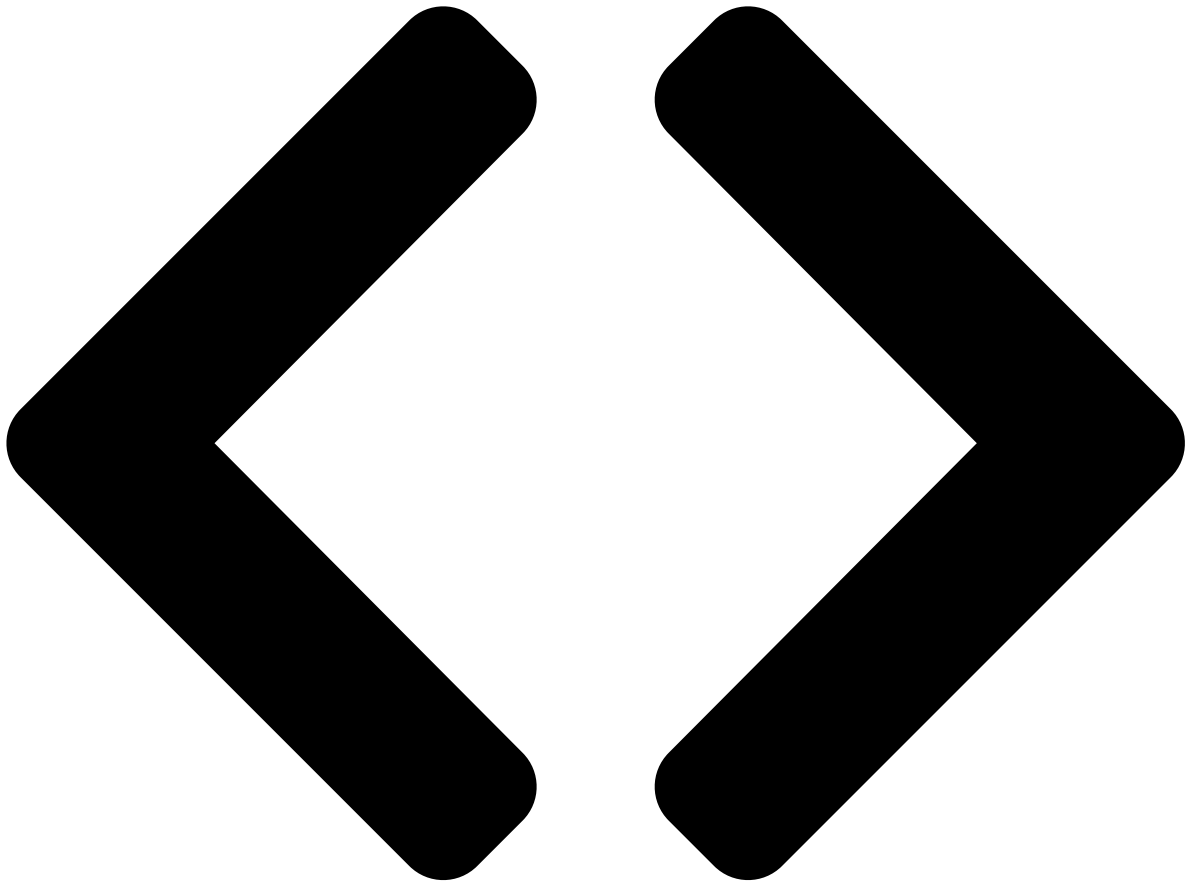


•

[Table of Contents](#)

•

Bookmarks



Enlarged version

Mounting directly on the floor.

- 1) Fix the leg of indoor unit on the floor with 2 mounting screws.
- 2) Fix the upper part of indoor unit on the wall with 4 mounting screws.

(Floor installation)

6 screw

(M4 x 25L)

NOTE

- In case the plinth is fixed to the wall, please make sure to cut out the slit on the left and right side of the main part.

Installation on the wall

- 1) Fix the installation plate on the wall with 4 mounting screws.
- 2) Hook the indoor unit on the installation plate.
- 3) Fix the upper part of indoor unit on the wall with 4 mounting screws.

(Wall installation)

4 screw

(M4 x 25L)

4 screw

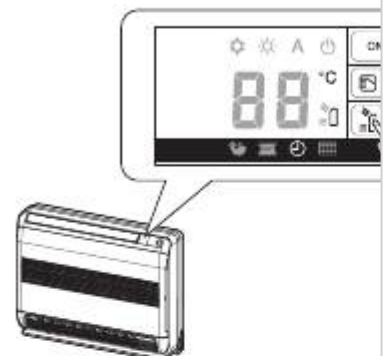
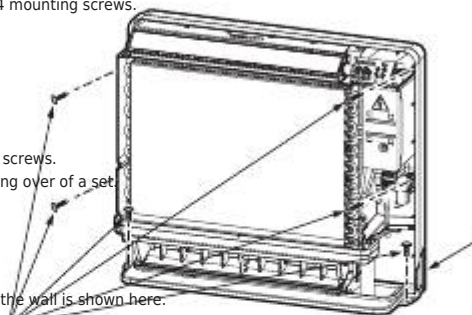
(M4 x 25L)

CAUTION

Make sure to fix it at a designated position with the screws.
Failure may result the damage of piping by the turning over of a set.

Concealed Installation

The special method to install the indoor unit bury in the wall is shown here.
Please make sure to change to wall burying mode.



1. To switch to the wall burying mode

To switch to the wall burying mode, press and hold AIR OUTLET SELECT button for 20 seconds.

- When the operation set up and 5 beep sounds. Then indication at Temperature indicator will light up for 5 seconds.

- To cancel, press AIR OUTLET SELECT button for 20 seconds then, 5 beep sounds. Then indication at Temperature indicator will blink for 5 seconds.

- To prevent dewfall, above plate angle should be narrow.

Slit

2. Wall hole size

Wall hole size should be enough to keep the distance with indoor unit as shown in the following figure.

(Front view)

70 or more

Cut dot-line area

Floor

50 or more

3. Installation using the supporting plate

• To install into the existing wall hole, if it is impossible to keep 20-30mm of depth, use the supporting plate for securing the distance.

• Arrange the screw positions and supporting plate as shown in the figure.

• Be sure to switch to wall burying mode.

(Rear screws position)

4. In case of lattice establishment

• Follow the following figure, make sure to keep enough distance between lattice, frame and wall.

• Be sure to switch to wall burying mode.

• The lattice should be made of wood.

• Between the air inlet and outlet, should be divided with partition board.

• Be sure to establish the open part for RECEIVER.

• The open part of lattice must be opens 70 % or more of the wall hole.

• The open part of lattice must be arranged uniformly.

(Top view)

6

Wall burying mode

(Unit : mm)

(Side view)

800 or more

(700)

Indoor unit

50 or more

(Side view)

(Field supply)

670

: Screw holes

Partition board

Toshiba 1112150201 (EN)

For prevent dewfall

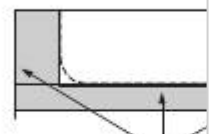
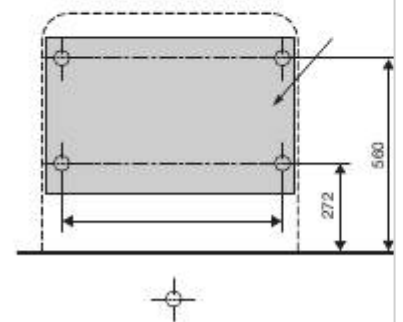
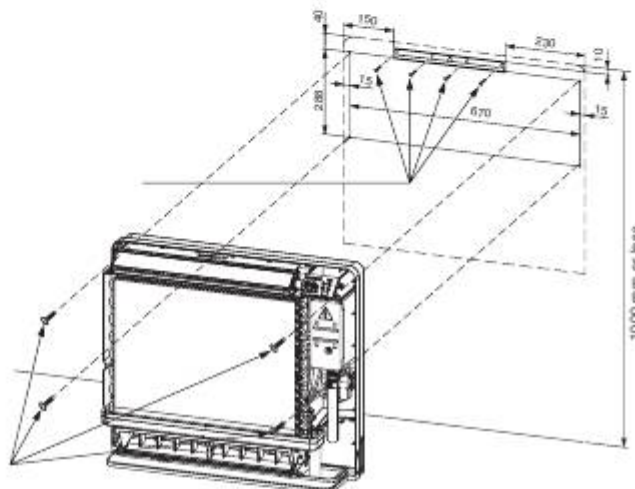
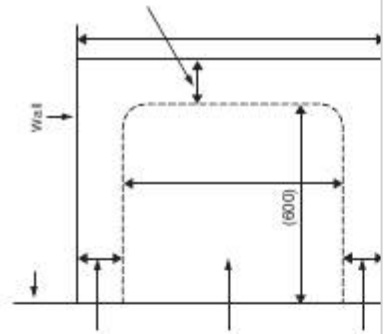
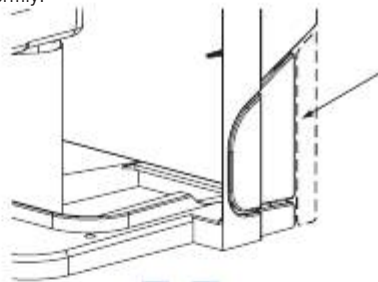
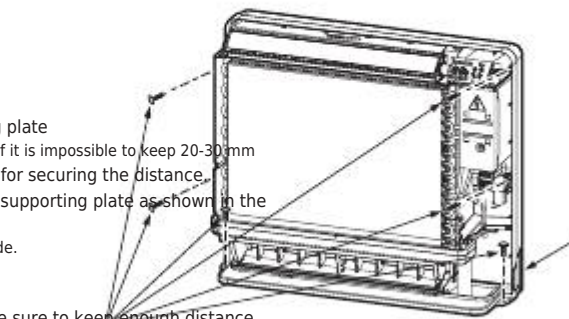
240 to 250

20 to 30

Floor

(Unit : mm)

(Unit : mm)



ManualsLib.com

Table of Contents

[Previous Page](#)
[Next Page](#)

1
...
6
7
8
9
10
11
12

Quick Links:

[Installation Manual](#)

[Table of Contents](#)

[Installation Diagram of Indoor and Outdoor...](#)

[Indoor Unit](#)

[Outdoor Unit](#)

Related Manuals for Toshiba RAS-M14GAV-E

[Air Conditioner Toshiba RAS-M10GDCV-E Owner's Manual](#)

(multi-split type) (164 pages)

[Air Conditioner toshiba RAS-B10GKVP-E Service Manual](#)

Split type heat pump type/cooling onlytype (134 pages)

[Air Conditioner Toshiba 16N3KVP Series Owner's Manual](#)

(105 pages)

[Air Conditioner Toshiba RAS-B10SKVP-E Owner's Manual](#)

Split type air conditioner (91 pages)

[Air Conditioner Toshiba RAS-M07N3KV2 Series Installation Manual](#)

(78 pages)

[Air Conditioner Toshiba RAS-B10SKVP-E Owner's Manual](#)

Split type (31 pages)

[Air Conditioner Toshiba RAS-B10GKVP-E Installation Manual](#)

Split type for general public use (20 pages)

[Air Conditioner Toshiba RAS-B10SKVP-E Installation Manual](#)

(19 pages)

[Air Conditioner Toshiba RAS-10 Owner's Manual](#)

18ufv series, 18sav series (19 pages)

[Air Conditioner Toshiba RAS-B10SKVP-E Installation Manual](#)

Split type air conditioner (19 pages)

[Air Conditioner Toshiba RAS-M14GAV-E Installation Manual](#)

Outdoor unit multi-split type (16 pages)

[Air Conditioner Toshiba RAS-B10 SERIES Installation Manual](#)

(10 pages)

[Air Conditioner Toshiba RAS-B10N3KVP series Installation Manual](#)

Split type (9 pages)

[Air Conditioner Toshiba RAS-B10 Owner's Manual](#)

(8 pages)

[Air Conditioner Toshiba RAS-M14GAV-E Owner's Manual](#)

Split type (7 pages)

[Air Conditioner Toshiba RAS-B10N3KVP Owner's Manual](#)

Toshiba air conditioner (split type) owner's manual (5 pages)

Related Content for Toshiba RAS-M14GAV-E

[RAS-B10UFV-E Concealed Installation](#)

Toshiba RAS-B10UFV-E

[MMY-MUP0801T8P Installation](#)

Toshiba MMY-MUP0801T8P

[MMY-MUP0801HT8P-E Concealed Duct, Standard](#)

Toshiba MMY-MUP0801HT8P-E

[RAS-22BKV-A1 Installation Procedure](#)

Toshiba RAS-22BKV-A1

[MMY-MAP0806FT8P-E Installation](#)

Toshiba MMY-MAP0806FT8P-E

[RBM-Y1124FE Installation Of New Refrigerant Air Conditioner](#)

Toshiba RBM-Y1124FE

[RAS-M10S4MUVG-E Installation](#)

Toshiba RAS-M10S4MUVG-E

[RAS-M05G3YVG-E Been Given Supervision Or Instruction Concerning Use Of The 9 Installation](#)

Toshiba RAS-M05G3YVG-E

This manual is also suitable for:

[Ras-3m26gav-e1Ras-m18gav-eRas-3m18sav-eRas-4m23sav-eRas-4m27gav-e1Ras-5m34uav-e ...](#) [Show all](#)