

Selecting The Installation Site - Sanyo Big PACi 18 Series Technical Data & Service Manual

Big pack i dc inverter

1
2
3
4
5
6
7
8
9
10
11
12
13
14
15
16
17
18

19
20
21
22
23
24
25
26
27
28
29
30
31
32
33
34
35
36
37
38
39
40
41
42
43
44
45
46
47
48
49
50
51
52
53
54
55
56
57
58
59
60
61
62
63
64
65
66
67
68

69
70
71
72
73
74
75
76
77
78
79
80
81
82
83
84
85
86
87
88
89
90
91
92
93
94
95
96
97
98
99
100
101
102
103
104
105
106
107
108
109
110
111
112
113
114
115
116
117
118

119
120
121
122
123
124
125
126
127
128
129
130
131
132
133
134
135
136
137
138
139
140
141
142
143
144
145
146
147
148
149
150
151
152
153
154
155
156
157
158
159
160
161
162
163
164
165
166
167
168

169
170
171
172
173
174
175
176
177
178
179
180
181
182
183
184
185
186
187
188
189
190
191
192
193
194
195
196
197
198
199
200
201
202
203
204
205
206
207
208
209
210
211
212
213
214
215
216
217
218

219
220
221
222
223
224
225
226
227
228
229
230
231
232
233
234
235
236
237
238
239
240
241
242
243
244
245
246
247
248
249
250
251
252
253
254
255
256
257
258
259
260
261
262
263
264
265
266
267
268

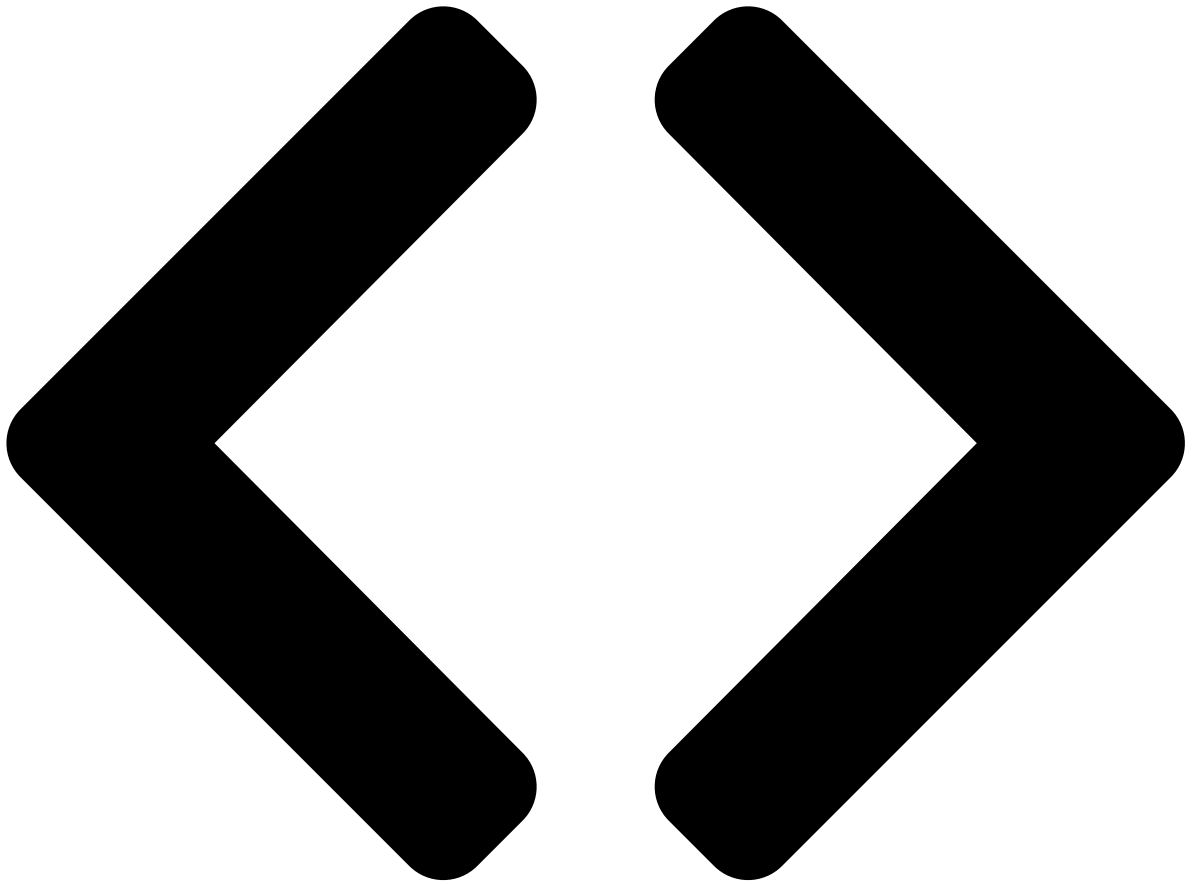
269
270
271
272
273
274
275



•

•

Bookmarks



Enlarged version

1

SELECTING THE INSTALLATION SITE

CAUTION

When moving the unit during or after unpacking, make sure to lift it by holding its lifting lugs.

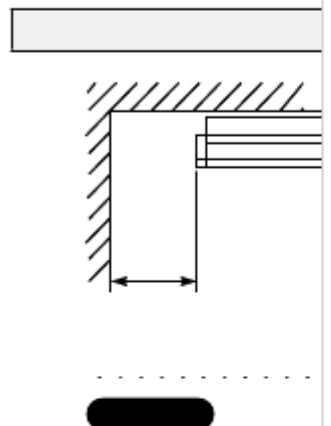
Do not exert any pressure on other parts, especially the refrigerant piping, drain piping and flange parts.

If you think the humidity inside the ceiling might exceed 30

C and RH 80%, reinforce the insulation on

the unit body. Use glass wool or polyethylene foam as insulation so that it is no thicker than 10 mm and fits inside the ceiling opening.

Indoor Unit



AVOID:

Areas where leakage of flammable gas may be expected.
Places where large amounts of oil mist exist.
Direct sunlight.

Locations near heat sources which may affect the performance of the unit.

Locations where external air may enter the room directly.

This may cause "condensation" on the air discharge ports, causing them to spray or drip water.

Locations where the remote controller will be splashed with water or affected by dampness or humidity.

Installing the remote controller behind curtains or furniture.

Locations where high-frequency emissions are generated.

Places where blocks air passages.

Places where the false ceiling is not noticeably on an incline.

DO:

Select an appropriate position from which every corner of the room can be uniformly cooled.

Select a location where the ceiling is strong enough to support the weight of the unit.

Select a location where tubing and drain pipe have the shortest run to the outdoor unit.

Allow room for operation and maintenance as well as unrestricted airflow around the unit.

Install the unit within the maximum elevation difference above or below the outdoor unit and within a total tubing length (L) from the outdoor unit as detailed in Tables 1-1 and 1-3.

Allow room for mounting the remote controller about 1m off the floor, in an area that is not in direct sunlight or in the flow of cool air from the indoor unit.

Places where optimum air distribution can be ensured.

Places where sufficient clearance for maintenance and service can be ensured. (See the figures on the right side.)

Out door Unit

AVOID:

Heat sources and exhaust fans, etc. (Fig. 1-4)

Damp, humid or uneven locations.

DO:

Choose a place as cool as possible.

Choose a place that is well ventilated and outside air temperature does not exceed maximum 45°C constantly.

Allow enough room around the unit for air intake/exhaust and possible maintenance. (Fig. 1-7)

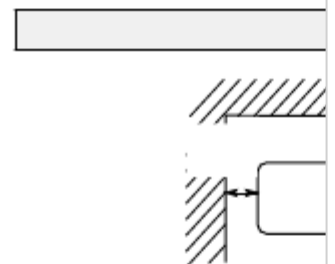
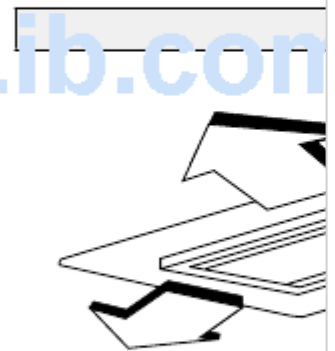
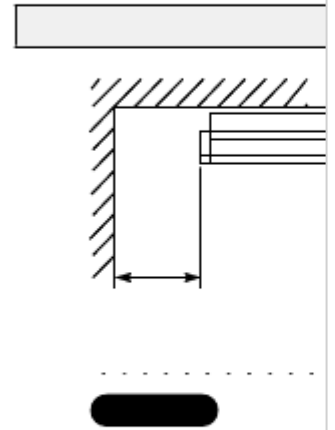
Use lug bolts or equal to bolt down unit, reducing vibration and noise.

If cooling operation is to be used when the outdoor air temperature is -5°C or below, install a duct on the outdoor unit.

Ceiling-Mounted Type

min. 25 cm

The rear of the indoor unit can be installed flush against



the wall.

Concealed-Duct Type / 4-Way Semi-Concealed Type

1 m

min.

15 cm

Hot air

1-122

Ceiling

min. 25 cm

Font view

Air

discharge

Air intake

min. 50 cm

Side view

Max. 25 cm

Obstacle

Fig. 1-3

1 m

1 m

1 m

1 m

Fig. 1-4

Wall-Mounted Type

min. 15 cm

min.

15 cm

Front View

Fig. 1-5

Exhaust fan

Heat source

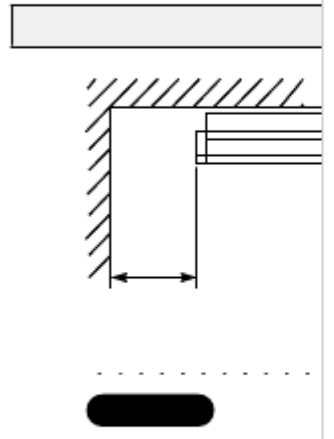
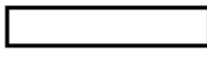
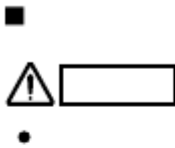
Out-

door

unit

Fig. 1-6

Wall



[Previous Page](#)
[Next Page](#)

1

...

126

127

128

129

Quick Links:

[Technical Data](#)

[Service Manual](#)

[Unit Specifications](#)

Chapters

[-- Contents --](#) 5

[2. Test Run](#) 146

[3. Electrical Data](#) 180

[5. Service Procedures](#) 218

[6. Outdoor Unit Maintenance Remote Control](#) 234

[7. Remote Controller Functions Section](#) 244

[8. How to Install the Wireless Remote Controller Receiver](#) 262

Related Manuals for Sanyo Big PACi 18 Series

[Air Conditioner Sanyo SPW-C256VH Technical Data & Service Manual](#)

4-way air discharge semi-concealed wall-mounted ceiling-mounted concealed-duct
(517 pages)

[Air Conditioner Sanyo 26 series Installation Instructions Manual](#)

Split system heat pump air conditioner (110 pages)

[Air Conditioner Sanyo 26XW72R Specifications](#)

Ceiling recessed air conditioner (2 pages)

[Air Conditioner Sanyo XHW2672R Specifications](#)

Ceiling recessed air conditioner (2 pages)

[Air Conditioner Sanyo CH2442 Installation Instructions Manual](#)

Split system heat pump air conditioner (94 pages)

[Air Conditioner Sanyo XMHS1272 Technical & Service Manual](#)

Dc inverter multi-system air conditioner (105 pages)

[Air Conditioner Sanyo 18XLS72 Specifications](#)

Ceiling recessed low ambient air conditioner (2 pages)

[Air Conditioner Sanyo XS1872 Technical & Service Manual](#)

Dc inverter split system air conditioner (131 pages)

[Air Conditioner Sanyo XHS1271 Technical & Service Manual](#)

Dc inverter split system air conditioner (123 pages)

[Air Conditioner Sanyo COOL Installation Instructions Manual](#)

Inverter split system air conditioner (36 pages)

[Air Conditioner Sanyo PNR-XS1872 Parts List](#)

Sanyo air conditioner parts list (4 pages)

[Air Conditioner Sanyo XMS1272 Technical & Service Manual](#)

Dc inverter multi-system air conditioner (103 pages)

[Air Conditioner Sanyo PW-UMR184EXH56 Installation And Operation Manual](#)

Eco-i system air conditioner (36 pages)

[Air Conditioner Sanyo PO811 Instruction Manual](#)

Cooling/fan/dehumidifying model (14 pages)

[Air Conditioner Sanyo XHW3672R Specifications](#)

Ceiling recessed air conditioner (2 pages)

[Air Conditioner Sanyo XHW4272R Specifications](#)

Ceiling recessed air conditioner (2 pages)

Related Content for Sanyo Big PACi 18 Series

[CH2442 Selecting The Installation Site](#)

Sanyo CH2442

[W-3WAY ECO-i 85464369098000 Selecting The Installation Site](#)

Sanyo W-3WAY ECO-i 85464369098000

[Mini ECO-i 85464359981002 Selecting The Installation Site](#)

Sanyo Mini ECO-i 85464359981002

[PNR-XS2432 Selecting The Installation Site](#)

Sanyo PNR-XS2432

[ECO R410A Selecting The Installation Site](#)

Sanyo ECO R410A

[C4272R Selecting The Installation Site](#)

Sanyo C4272R

[C4272R S/C Selecting The Installation Site](#)

Sanyo C4272R S/C

[85464359982001 Selecting The Installation Site](#)

Sanyo 85464359982001

This manual is also suitable for:

[Big paci 90 series](#)[Big paci 48 series](#)[Big paci 25 series](#)[Big paci 36 series](#)[Big paci 70 series](#)[Spw-xdr184gh56a](#) ... [Show all](#)