

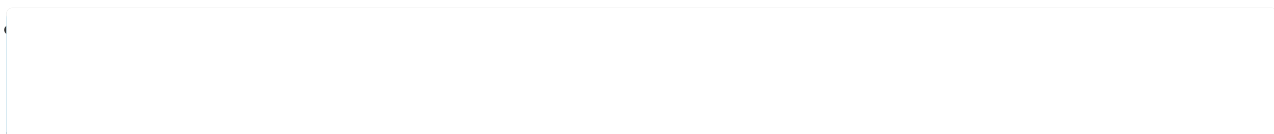
Outdoor Unit - Toshiba RAS-10SKVP2-E Service Manual

Split type indoor unit high wall, heat pump type outdoor unit heat pump type

1
2
3
4
5
6
7
8
9
10
11
12
13
14
15
16
17
18

19
20
21
22
23
24
25
26
27
28
29
30
31
32
33
34
35
36
37
38
39
40
41
42
43
44
45
46
47
48
49
50
51
52
53
54
55
56
57
58
59
60
61
62
63
64
65
66
67
68

69
70
71
72
73
74
75
76
77
78
79
80
81
82
83
84
85
86
87
88
89
90
91
92
93
94
95
96
97
98
99
100
101
102
103
104
105
106
107
108
109
110
111



•

[Table of Contents](#)

-

Troubleshooting

•

Bookmarks



4-2. Outdoor Unit

600

50

36

R15

6 hole

R5.5

A detail drawing (Back leg)

299

A

29

25 Drain outlet

FAN-GUARD

440

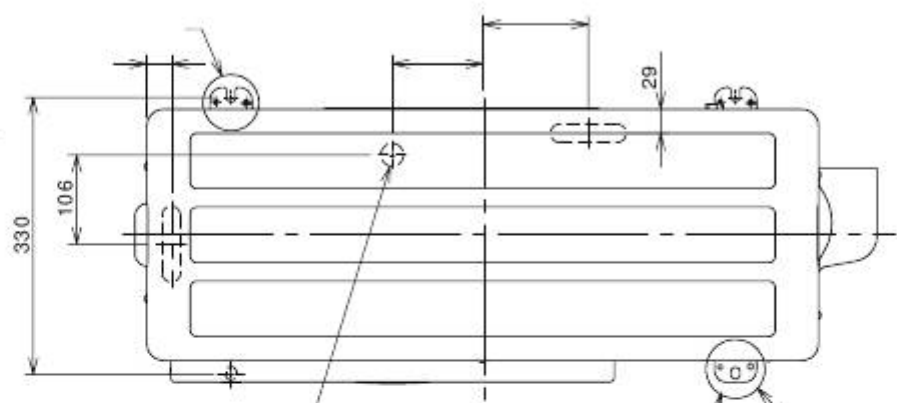
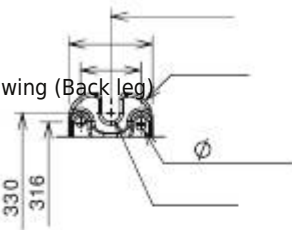
100

100 or more

Air outlet

100 or more

Installation dimension



125
 108
 2-
 11x14 Hole
 (For
 8-
 10 anchor bolt)

600
 99

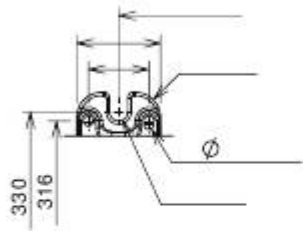
View Z

600

Air inttel

600 or more

600 or more



15

FILE NO. SVM-11015

6 hole

11x14 hole

36

B

50

B detail drawing (Front leg)

COVER-PV

69

Service port

2 - R5-5 x 17L Ushape

(For Ø8 - Ø10 anchor bolt)

2 - Ø11 x 14 Long holes (For Ø8- Ø10 anchor bolt)

R15

View Z

330

351

Electrical part

Liquid side

(Flare

6.35)

Gas side

(10,13 : Flare

9.52)

(16 : Flare

12.70)

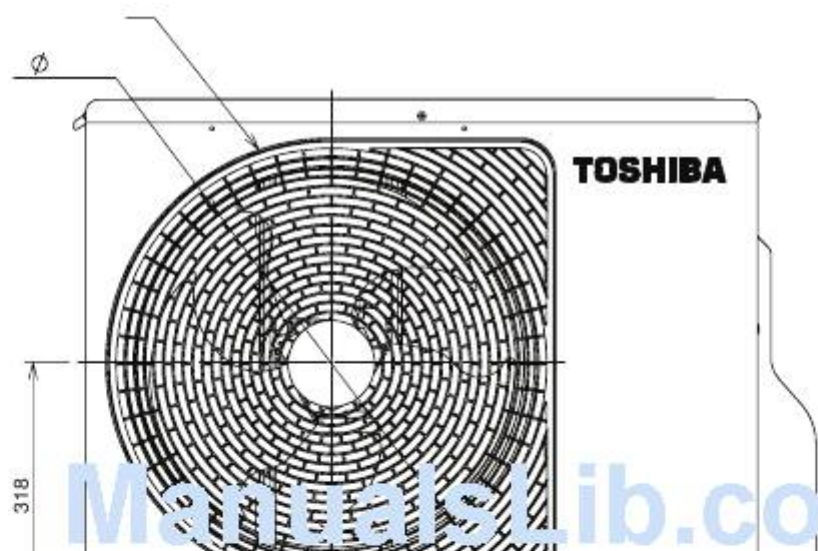
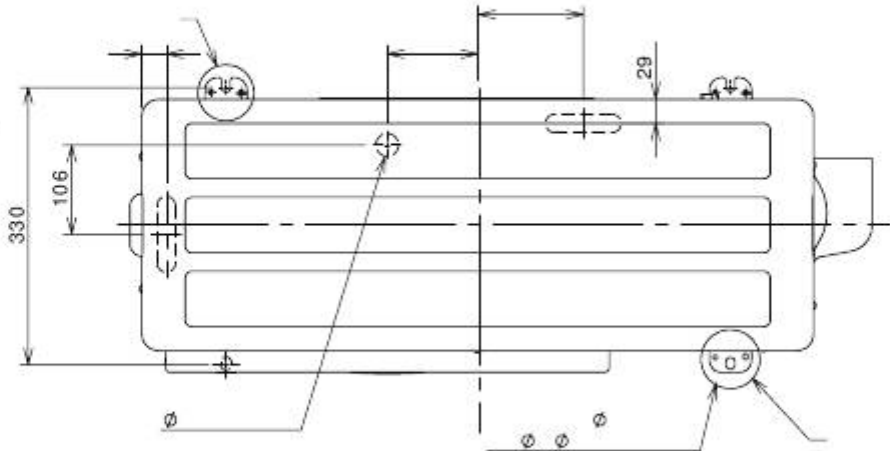
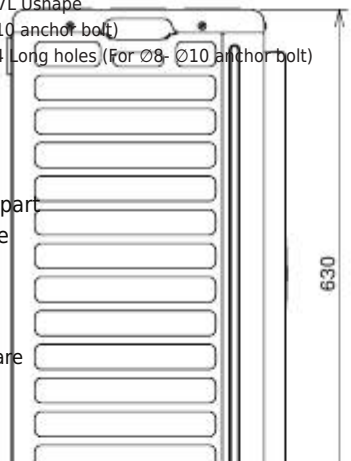


Table of Contents

[Previous Page](#)
[Next Page](#)

1
...
13
14
15
16
17
18
19
20

Quick Links:

[Service Manual](#)

[Specifications](#)

[Indoor Unit](#)

Chapters

[Service Manual 2](#)

[Table of Contents 24](#)

Related Manuals for Toshiba RAS-10SKVP2-E

[Air Conditioner Toshiba RAS-10SAV-A Service Manual](#)

Split wall type (94 pages)

[Air Conditioner Toshiba RAS-10SKVP-ND Owner's Manual](#)

(61 pages)

[Air Conditioner Toshiba RAS-16SKVP-ND Owner's Manual](#)

(230 pages)

[Air Conditioner Toshiba RAS-10SKVP-ND Installation Manual](#)

(132 pages)

[Air Conditioner Toshiba RAS-10 SKV Series Owner's Manual](#)

(8 pages)

[Air Conditioner Toshiba RAS-10SKVP2 series Owner's Manual](#)

Split type (6 pages)

[Air Conditioner Toshiba RAS-10SKVP2 Series Owner's Manual](#)

Air conditioner (split type) (8 pages)

[Air Conditioner Toshiba RAS-13SKV-E Service Manual](#)

Indoor/outdoor unit, split type air conditioner (120 pages)

[Air Conditioner Toshiba RAS-13SKV-E Service Manual](#)

Split type indoor/outdoor unit (121 pages)

[Air Conditioner Toshiba RAS-13SKV2-E Service Manual](#)

Split type (111 pages)

[Air Conditioner Toshiba RAS-10SKH-E Service Manual](#)

Split wall type air conditioner (62 pages)

[Air Conditioner Toshiba RAS-10SKH-ES Service Manual](#)

Split wall type (68 pages)

[Air Conditioner Toshiba RAS-10~16 SKV\(R\) Series Owner's Manual](#)

Split type (4 pages)

[Air Conditioner Toshiba RAS-10\(7\)~16\(7\)SKV Series Installation Manual](#)

Air conditioner (split type) (11 pages)

[Air Conditioner Toshiba RAS-10 SKV Series Owner's Manual](#)

Air conditioner (split type) (4 pages)

[Air Conditioner Toshiba RAS-10SKP Series Owner's Manual](#)

(8 pages)

Related Content for Toshiba RAS-10SKVP2-E

[RAS-M07N3KV2 Series Outdoor Unit](#)

Toshiba RAS-M07N3KV2 Series

[Carrier MMU-UP0151YHP-UL Check Codes Displayed On Remote Controller And Smms Series Outdoor Unit \(7-Segment Display On I/F Board\) And Locations To Be Checked](#)

Toshiba Carrier MMU-UP0151YHP-UL

[RAS-B24B2KVG-E Outdoor Unit](#)

Toshiba RAS-B24B2KVG-E

[MMY-MAP0806FT8P-E Carrying In The Outdoor Unit](#)

Toshiba MMY-MAP0806FT8P-E

[MCY-MHP0806HT8-C Series Function To Start / Stop \(On / Off\) Indoor Unit From Outdoor Unit](#)

Toshiba MCY-MHP0806HT8-C Series

[MMY-MUP0961HT6P-UL Function To Start/Stop \(On/Off\) Indoor Unit
From Outdoor Unit](#)

Toshiba MMY-MUP0961HT6P-UL

[RAV-GM562ATP-TR Outdoor Unit](#)

Toshiba RAV-GM562ATP-TR

[MMY-MUP0721FT6P-UL Function To Start/Stop \(On/Off\) Indoor Unit
From Outdoor Unit](#)

Toshiba MMY-MUP0721FT6P-UL

This manual is also suitable for:

[Ras-10savp2-eRas-16savp2-eRas-13savp2-eRas-13skvp2-eRas-16skvp2-e](#)