



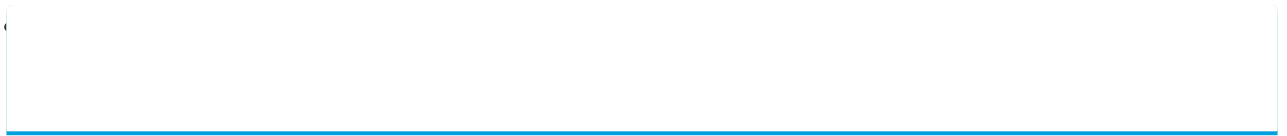
# Wiring Diagram - Toshiba RAS-10SAVP-E Service Manual



1  
2  
3  
4  
5  
6  
7  
8  
9  
10  
11  
12  
13  
14  
15  
16  
17  
18

19  
20  
21  
22  
23  
24  
25  
26  
27  
28  
29  
30  
31  
32  
33  
34  
35  
36  
37  
38  
39  
40  
41  
42  
43  
44  
45  
46  
47  
48  
49  
50  
51  
52  
53  
54  
55  
56  
57  
58  
59  
60  
61  
62  
63  
64  
65  
66  
67  
68

69  
70  
71  
72  
73  
74  
75  
76  
77  
78  
79  
80  
81  
82  
83  
84  
85  
86  
87  
88  
89  
90  
91  
92  
93  
94  
95  
96  
97  
98  
99  
100  
101  
102  
103  
104  
105  
106  
107  
108  
109  
110  
111  
112  
113  
114  
115  
116  
117  
118



•

[Table of Contents](#)

- 

Troubleshooting



•

## Bookmarks





Toshiba ilmalämpöpumppujen myynti, huolto ja asennus: Jäähdytinpalvelu RefGroup Oy, Vantaa

### 5-1. Outdoor Unit

#### RAS-10SAVP-E, RAS-13SAVP-E, RAS-16SAVP-E

Compressor

RED

P04

1

1

WHI

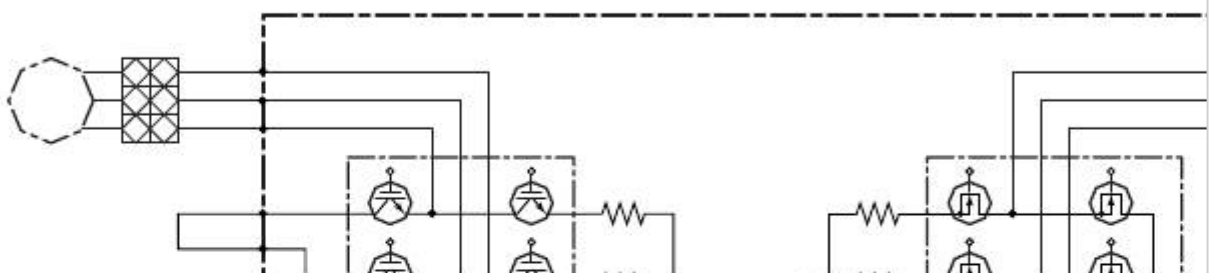
P05

CM

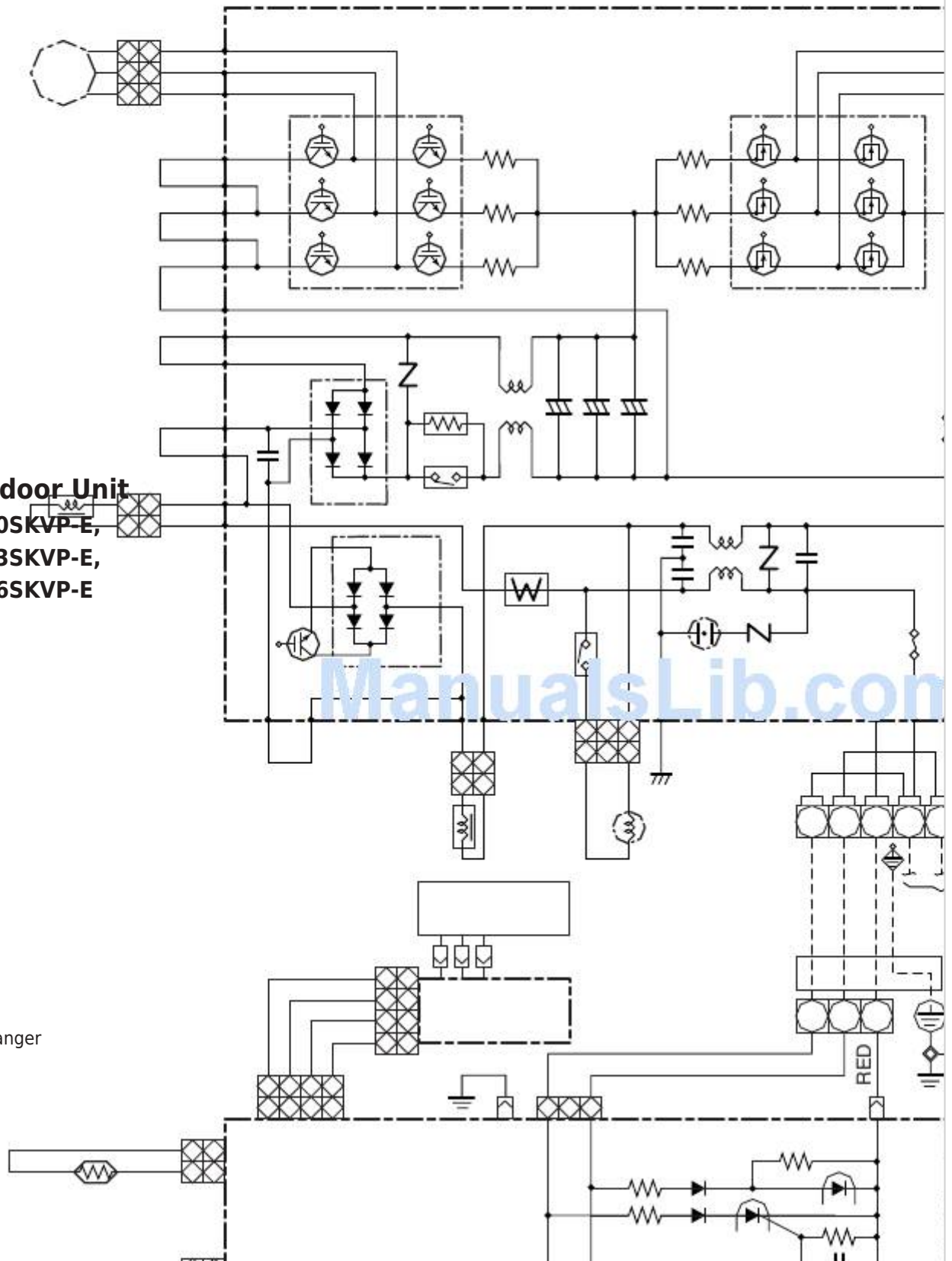
2

2

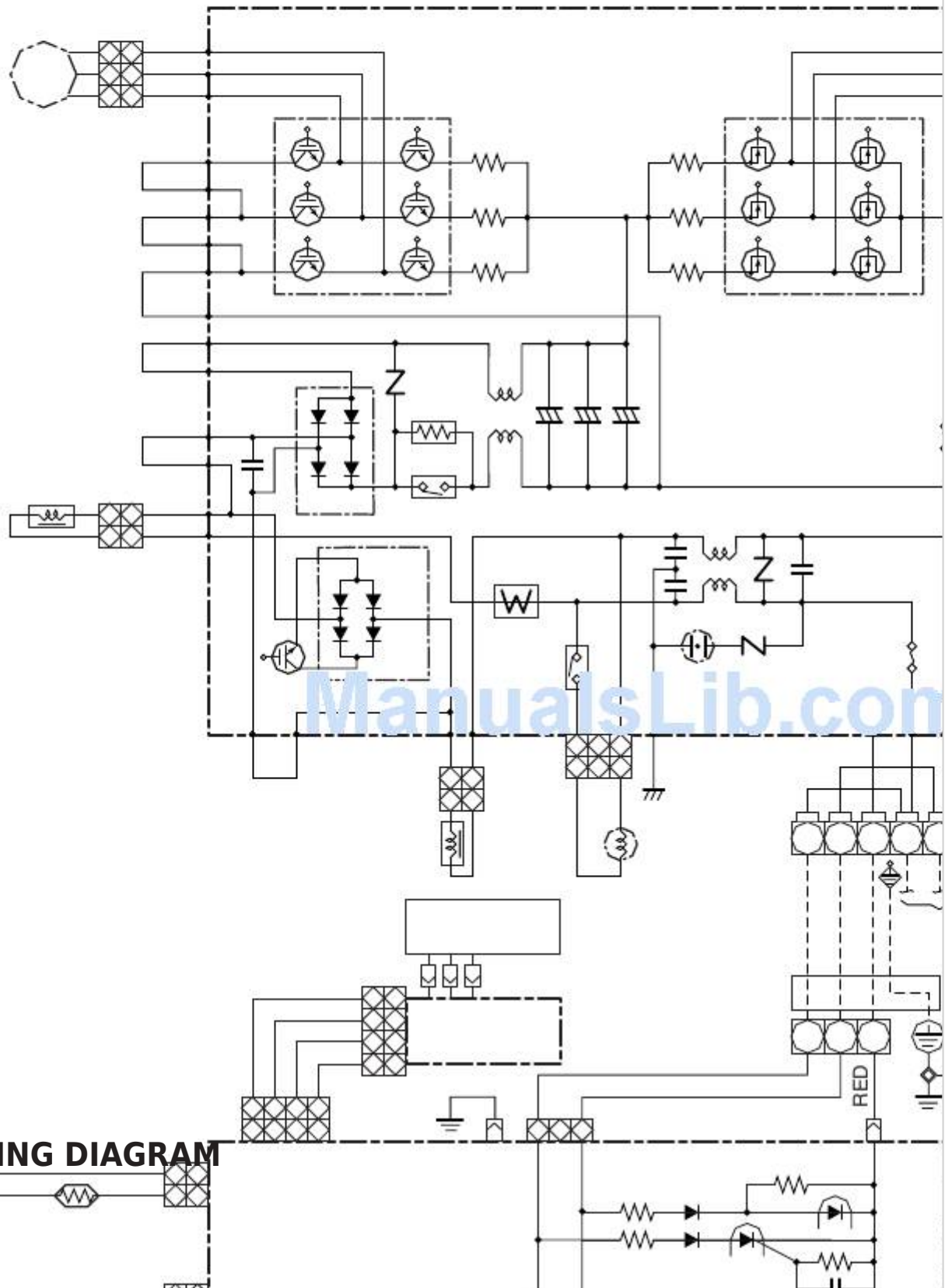
BLK



P06  
 3  
 3  
 P25  
 YEL  
 P24  
 P23  
 YEL  
 P22  
 P21  
 BRW  
 P20  
 P35  
 YEL  
 P34  
 P19  
 ORN  
 P18  
 Reactor  
 P11  
 1  
 1  
 2  
 2  
 P08  
 Q404  
 P33  
 PUR  
**5-2. Indoor Unit**  
**RAS-B10SKVP-E,**  
**RAS-B13SKVP-E,**  
**RAS-B16SKVP-E**  
 Heat  
 4  
 Exchanger  
 CN63  
 4  
 Sensor  
 (YEL)  
 (TCJ)  
 CN42  
 BLK  
 1  
 1  
 (WHI)  
 2  
 2  
 BLK  
 Heat Exchanger  
 Sensor  
 (TC)  
 BLK  
 1  
 1  
 CN62  
 2  
 2



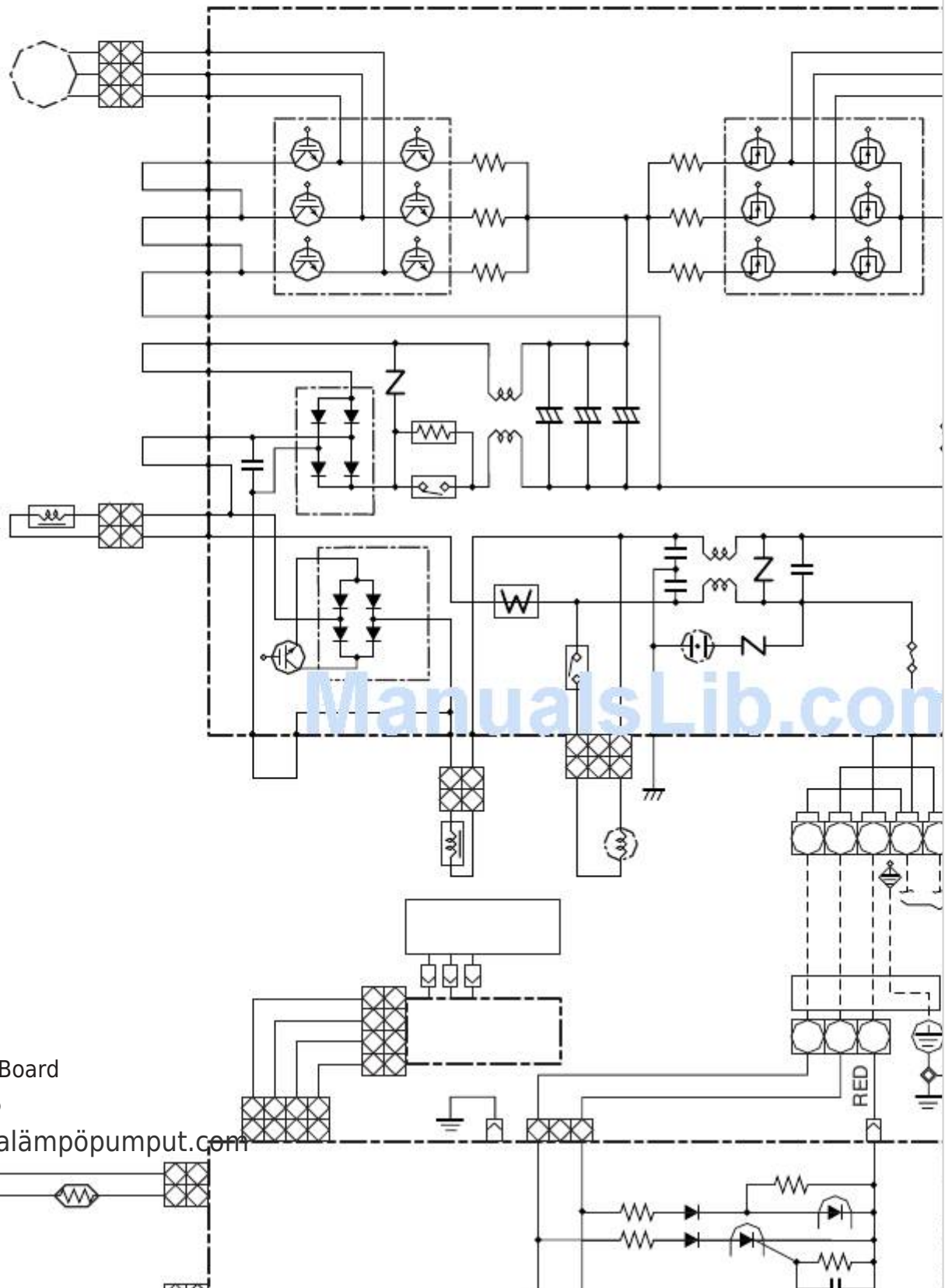
(BLU)  
 BLK  
 Thermo Sensor  
 (TA)  
 BLK  
 1  
 1  
 CN61  
 (WHI)  
 2  
 2  
 BLK  
 WHI  
 1  
 1  
 1  
 1  
 1  
 BLU  
 2  
 2  
 2  
 2  
 BLU  
 3  
 3  
 3  
 3  
 BLU  
 4 4  
 4 4  
 BLU  
 5 5  
 5 5  
 BLU  
 6 6  
 6 6  
 BLU  
 7 7  
 7 7  
 BLU  
 8 8  
 8 8  
 BLU  
 9 9  
 9 9  
 BLU  
 10 10  
 10 10  
 CN10  
 CN21  
 (WHI)  
 (WHI)



## 5. WIRING DIAGRAM

Q200 ~ 205  
 IGBT  
 R221

R220  
 R219  
 L03  
 -  
 +  
 DB01  
 C12  
 Power Relay  
 DB02  
 CT  
 Relay  
 CN701  
 P32  
 P30  
 P31  
 1  
 2  
 1  
 2  
 Reactor  
 Air Purifier  
 Electrode  
 BRW  
 4  
 4  
 BRW  
 High-voltage  
 3  
 3  
 BRW  
 Power Supply  
 2  
 2  
 RED  
 1 1  
 BLK  
 3  
 2  
 1  
 3  
 2  
 1  
 3  
 CN02  
 F01 Fuse  
 AC 250V  
 T3.15A  
 Varistor  
 R01  
 Line Filter  
 Main P. C. Board  
 MCC-5045  
 www.ilmalämpöpumput.com  
 Q300 ~ 305  
 MOS-FET  
 R321  
 R320



ManualsLib.com

R319  
 C13  
 P. C. Board  
 MCC-5009

-  
 +  
 +  
 C14  
 Varistor  
 L01  
 Varistor

F01 Fuse  
 250V ~  
 Surge  
 T25A  
 Absorber  
 P07  
 P03 P10  
 1

3  
 BLK  
 ORN  
 1

3  
 Coil for  
 1

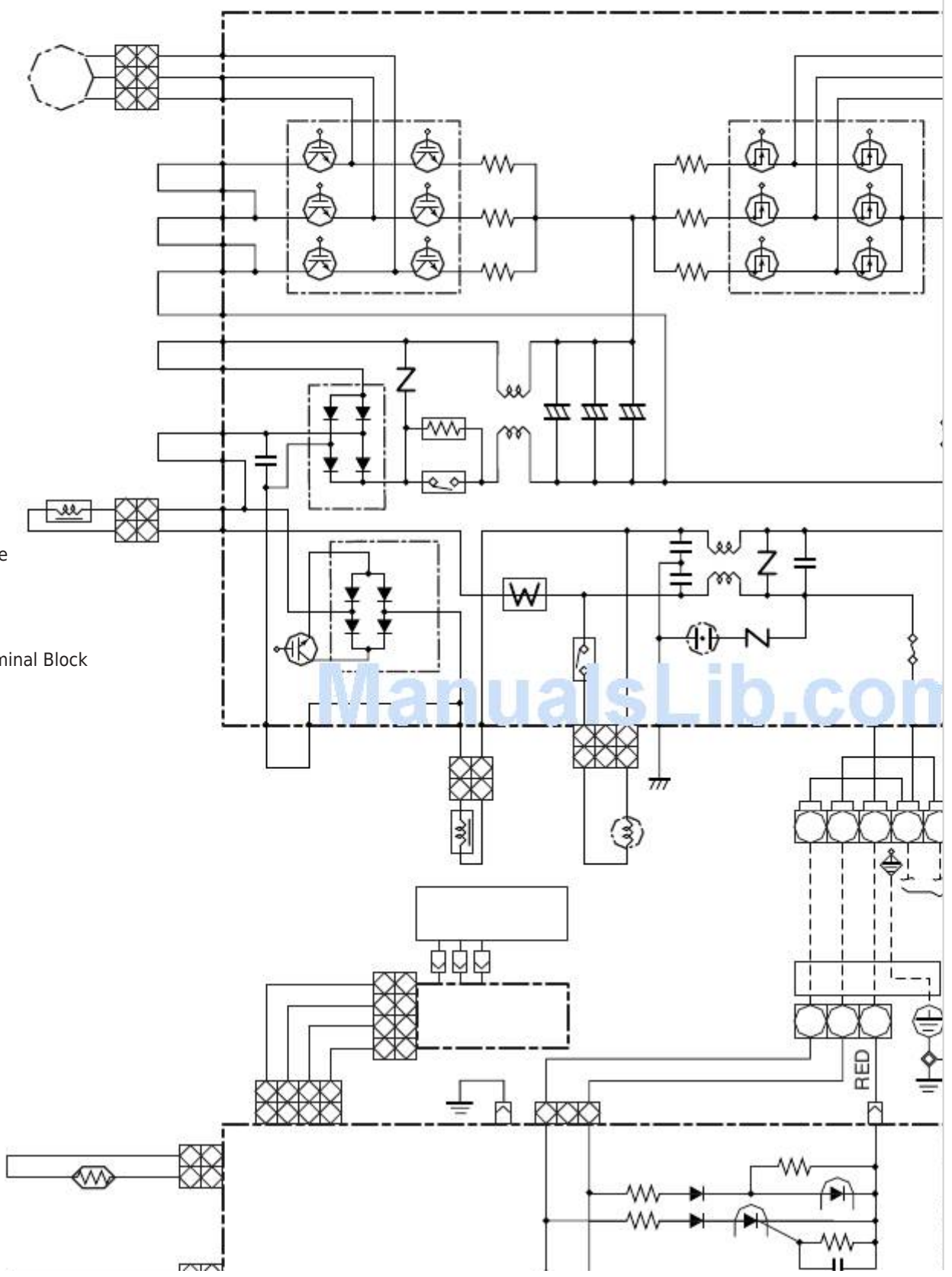
2  
 4-way Valve  
 1  
 2

Indoor Terminal Block  
 BLK  
 WHI

1  
 CN01  
 CN51  
 DC5V  
 ~  
 DC12V

+  
 -  
 +  
 ~  
 - 20 -

BLK  
 3  
 3  
 WHI  
 2  
 2  
 RED  
 1  
 1



ManualsLib.com



CN300

Pulse Motor Valve

6

6

5

5

4

4

CN700

3 3

2 2

1 1

3 3

3 3

CN603

2

1

1

1

Suction pipe

Temp. Sensor

F03 Fuse

2

2

250V ~

CN602

1

1

T3.15A

Temp. Sensor

3

3

2

CN601

1

1

Discharge pipe

Temp. Sensor

2

2

CN600

1

1

1

P02

Condenser pipe

Temp. Sensor

BLK

WHI

3

L

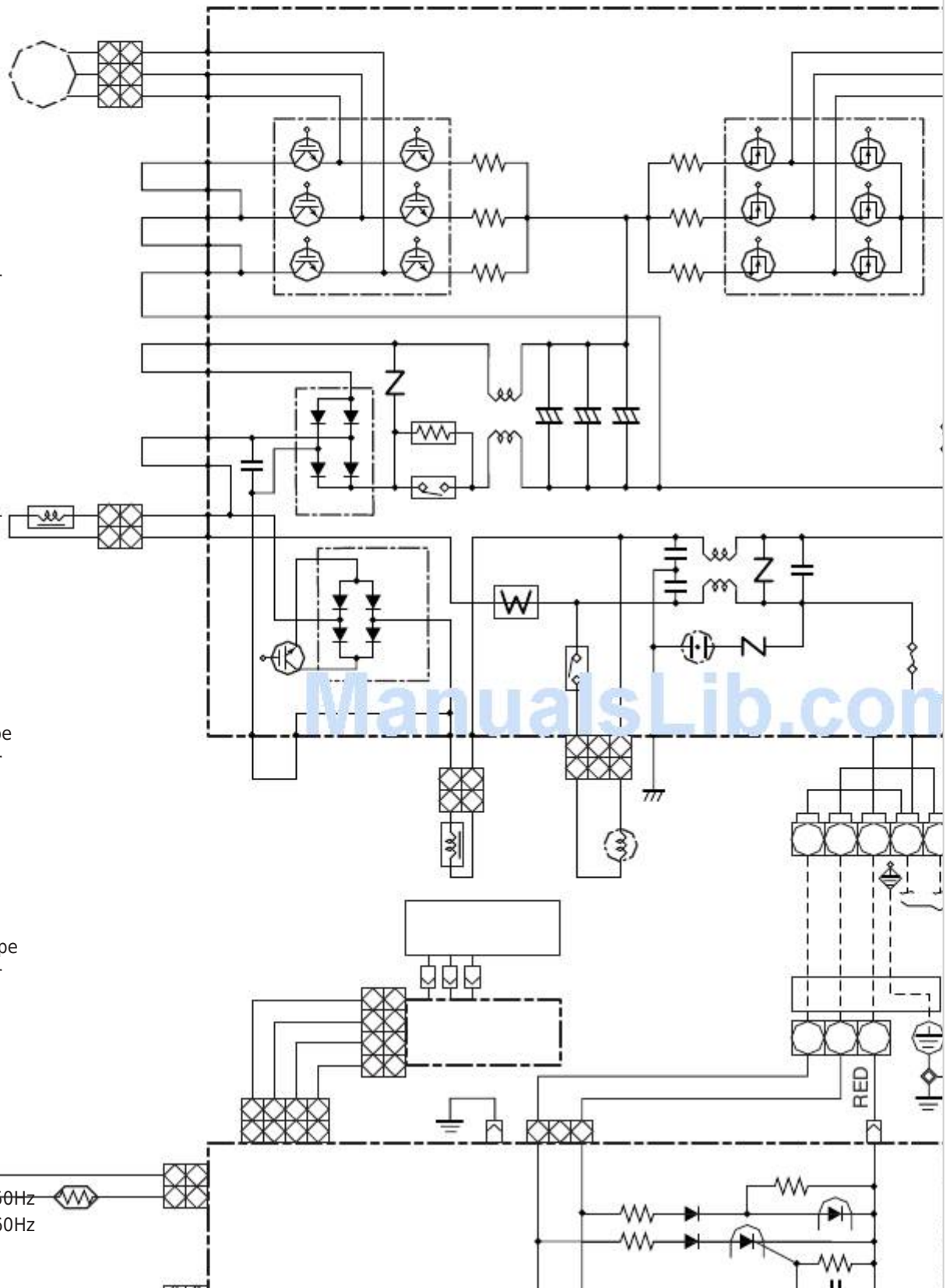
N

Power Supply

220-240V~, 50Hz

220-220V~, 60Hz

3



ManualsLib.com

Heat Exchanger

GRN & YEL

CN41

(RED)

BRW

1

1

2

2

BLU

RED

1

1

BLK

3

3

WHI

4 4

CN31

YEL

5 5

(WHI)

BLU

6 6

WHI

1

1

1

1

CN32

YEL

(WHI)

2

2

2

2

2

YEL

3

3

3

3

YEL

4

4

4 4

YEL

5 5

5 5

1

2

CN22

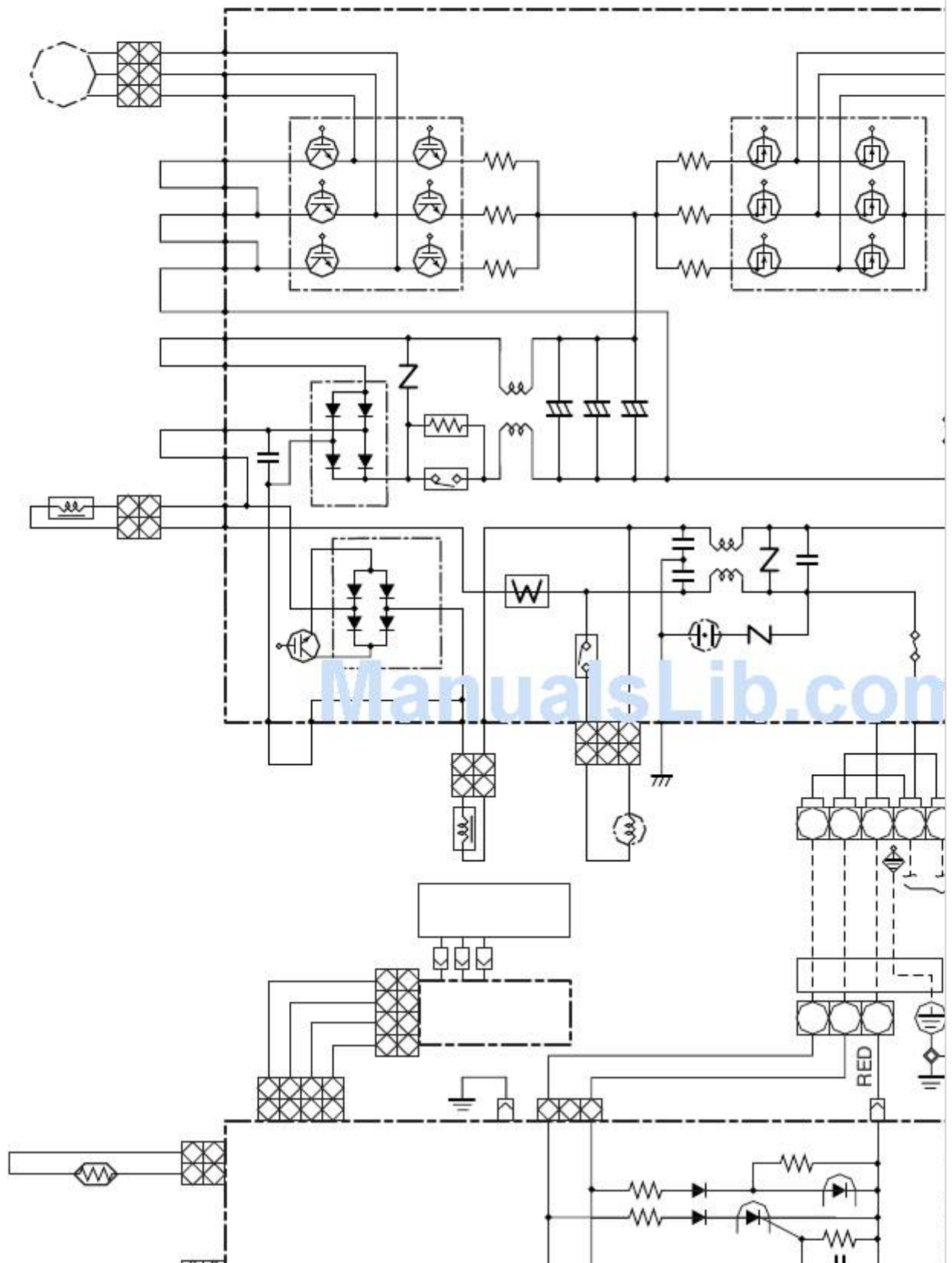
3

(WHI)

4

Fan Motor

FM



**PMV**

(TS)

(TO)

Outdoor

(TD)

(TE)

Micro SW

Fan Motor

DC Motor

Louver Motor

---

[Table of Contents](#)

[Previous Page](#)

[Next Page](#)

1  
...  
17  
18  
19  
20  
21  
22  
23  
24

Quick Links:

[Service Manual](#)

[Specifications](#)

[How to Diagnose the Trouble](#)

[How to Replace the Main Parts](#)

[Exploded Views and Parts List](#)

## Chapters

[Table of Contents](#) 2

[Operation Description 9-2. 1. Basic Operation](#) 28

### Related Manuals for Toshiba RAS-10SAVP-E

[Air Conditioner Toshiba RAS-B10SKVP-E Installation Manual](#)

(148 pages)

[Air Conditioner Toshiba RAS-B10SKVP-E Service Manual](#)

(120 pages)

[Air Conditioner Toshiba RAS-B10SKVP-E Service Manual](#)

Split type air conditioner (119 pages)

[Air Conditioner Toshiba RAS-B10SKVP-E Owner's Manual](#)

Split type air conditioner (91 pages)

[Air Conditioner Toshiba RAS-B10SKVP-E Owner's Manual](#)

Split type; for general public use (31 pages)

[Air Conditioner Toshiba RAS-B10SKVP-E Owner's Manual](#)

Split type (31 pages)

[Air Conditioner Toshiba RAS-B10SKVP-E Installation Manual](#)

(19 pages)

[Air Conditioner Toshiba RAS-B10SKVP-E Installation Manual](#)

Split type air conditioner (19 pages)

[Air Conditioner Toshiba RAS-16SKVP-ND Owner's Manual](#)

(230 pages)

[Air Conditioner Toshiba RAS-10SKVP-ND Installation Manual](#)

(132 pages)

[Air Conditioner Toshiba RAS-4M23SAV-E Service Manual](#)

Split type (121 pages)

[Air Conditioner Toshiba RAS-B10SKVP-E Service Manual](#)

Split type (117 pages)

[Air Conditioner Toshiba RAS-B10SKVP-E Service Manual](#)

(117 pages)

[Air Conditioner Toshiba RAS-10SKVP-ND Owner's Manual](#)

(61 pages)

[Air Conditioner Toshiba RAS-10SA-E Service Manual](#)

Split wall type (56 pages)

[Air Conditioner Toshiba RAS-16SKV Series Owner's Manual](#)

(52 pages)

## Related Content for Toshiba RAS-10SAVP-E

[RAS-5M34G3AVG-E Wiring Diagram](#)

Toshiba RAS-5M34G3AVG-E

[RAV-GV1101AT8P-TR Wiring Diagram](#)

Toshiba RAV-GV1101AT8P-TR

[RAS-B10S4KVPG-E Power Supply Input Wiring Diagram For 1:1 Outdoor Unit](#)

Toshiba RAS-B10S4KVPG-E

[RAS-B24B2KVG-E Power Supply Input Wiring Diagram](#)

Toshiba RAS-B24B2KVG-E

[MCY-MHP0806HT8-C Series Wiring Diagram](#)

Toshiba MCY-MHP0806HT8-C Series

[RAV-GM562ATP-TR Wiring Diagram](#)

Toshiba RAV-GM562ATP-TR

[RAV-HM301SDTY-E Wiring Diagram](#)

Toshiba RAV-HM301SDTY-E

[RAS-24PAVSG-E Power Supply Input Wiring Diagram](#)

Toshiba RAS-24PAVSG-E

This manual is also suitable for:

[Ras-b10skvp-eRas-16savp-eRas-10skvp-ndRas-10savp-ndRas-13skvp-ndRas-13savp-nd](#) ... [Show all](#)