

Indoor Unit - Toshiba RAS-10SAVP-E Service Manual

1
2
3
4
5
6
7
8
9
10
11
12
13
14
15
16
17
18

19
20
21
22
23
24
25
26
27
28
29
30
31
32
33
34
35
36
37
38
39
40
41
42
43
44
45
46
47
48
49
50
51
52
53
54
55
56
57
58
59
60
61
62
63
64
65
66
67
68

69
70
71
72
73
74
75
76
77
78
79
80
81
82
83
84
85
86
87
88
89
90
91
92
93
94
95
96
97
98
99
100
101
102
103
104
105
106
107
108
109
110
111
112
113
114
115
116
117
118



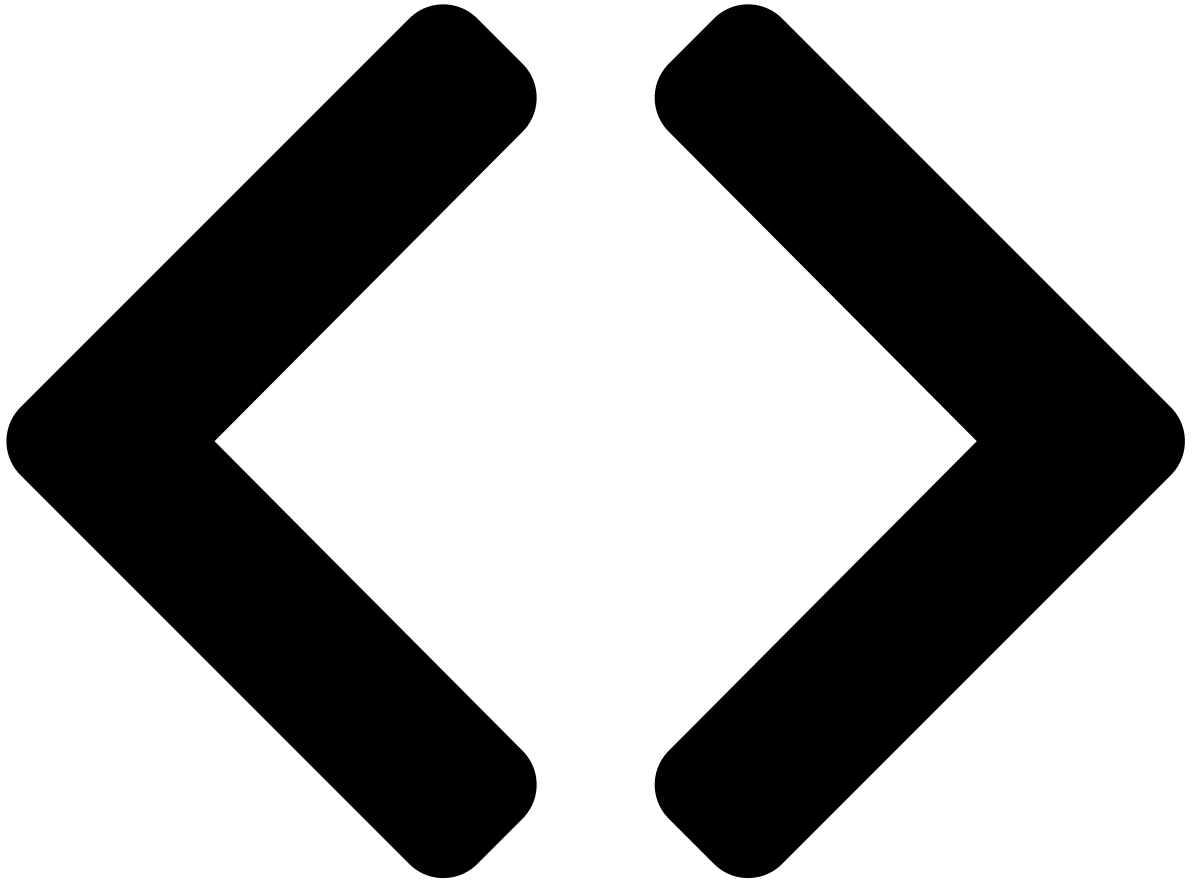
-

-

Troubleshooting

•

Bookmarks



Toshiba ilmalämpöpumppujen myynti, huolto ja asennus: Jäähdytinpalvelu RefGroup Oy, Vantaa

5-3. Outdoor Unit

RAS-10SAVP-ND, RAS-13SAVP-ND, RAS-16SAVP-ND

Compressor

RED

P04

1

1

WHI

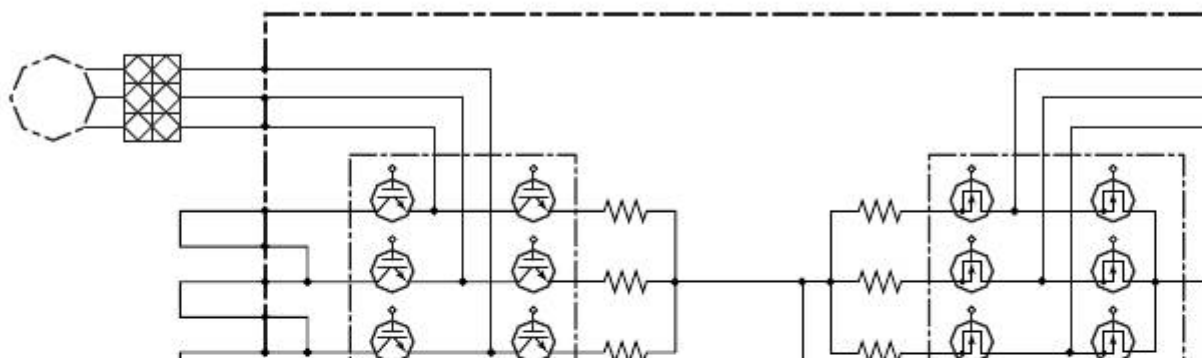
P05

CM

2

2

BLK

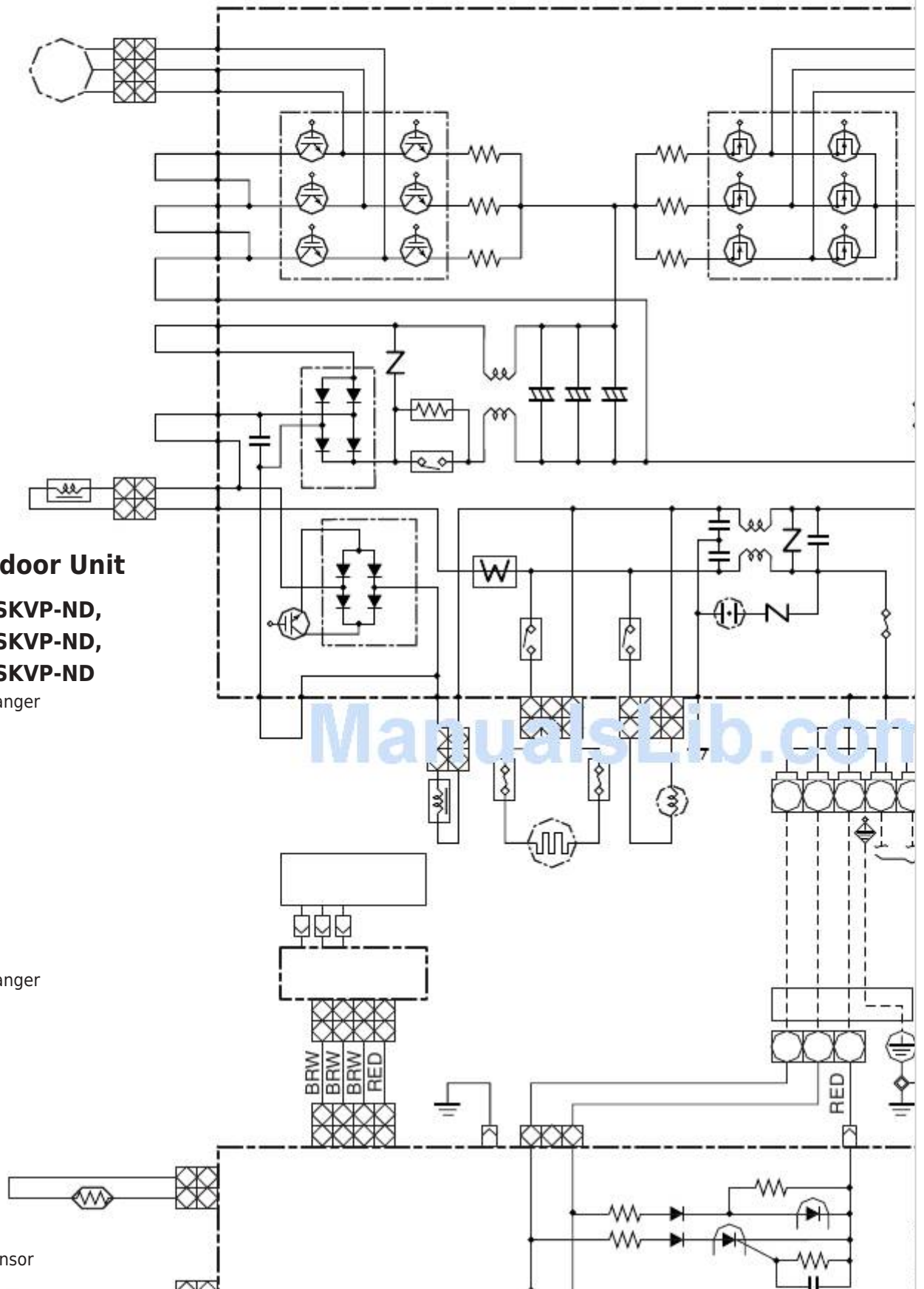


P06
 3
 3
 P25
 YEL
 P24
 P23
 YEL
 P22
 P21
 BRW
 P20
 P35
 YEL
 P34
 P19
 ORN
 P18
 Reactor
 P11
 1
 1
 2
 2
 P08
 Q404
 P33
 PUR

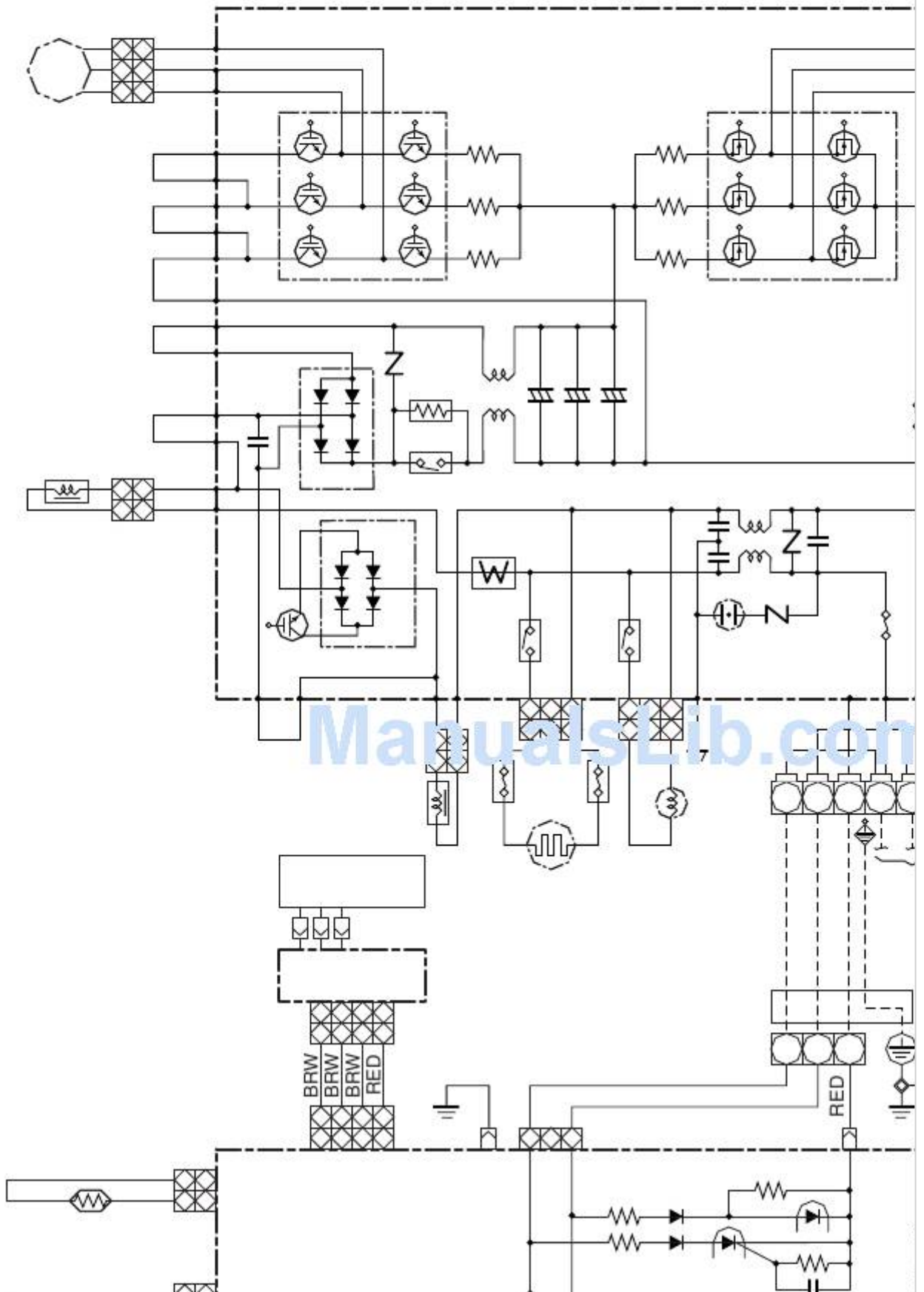
5-4. Indoor Unit

RAS-10SKVP-ND,
RAS-13SKVP-ND,
RAS-16SKVP-ND

Heat Exchanger
 Sensor
 (TCJ)
 BLK
 1
 1
 CN63
 2
 2
 (YEL)
 BLK
 Heat Exchanger
 Sensor
 (TC)
 BLK
 1
 1
 CN62
 (BLU)
 2
 2
 BLK
 Thermo Sensor



(TA)
 BLK
 1
 1
 CN61
 2
 2
 (WHI)
 BLK
 WHI
 1
 1
 1
 1
 1
 1
 BLU
 2
 2
 2
 2
 2
 BLU
 3
 3
 3
 3
 3
 BLU
 4 4
 4 4
 4 4
 BLU
 5 5
 5 5
 5 5
 BLU
 6 6
 6 6
 6 6
 BLU
 7 7
 7 7
 7 7
 BLU
 8 8
 8 8
 8 8
 BLU
 9 9
 9 9
 9 9
 BLU
 10 10
 10 10
 10 10
 CN10
 CN21
 (WHI)
 (WHI)
 Q200 ~ 205
 IGBT
 R221
 R220
 R219
 L03
 -
 +
 DB01
 C12



ManualsLib.com

Power Relay
 DB02
 CT
 Relay
 CN703
 1

P32
 P31
 P30
 1

1
 2
 1
 2
 Fuse
 250V~
 Reactor
 T3.15A
 Air Purifier
 Heater for
 Electrode
 Anti Freeze
 High-voltage
 Power Supply

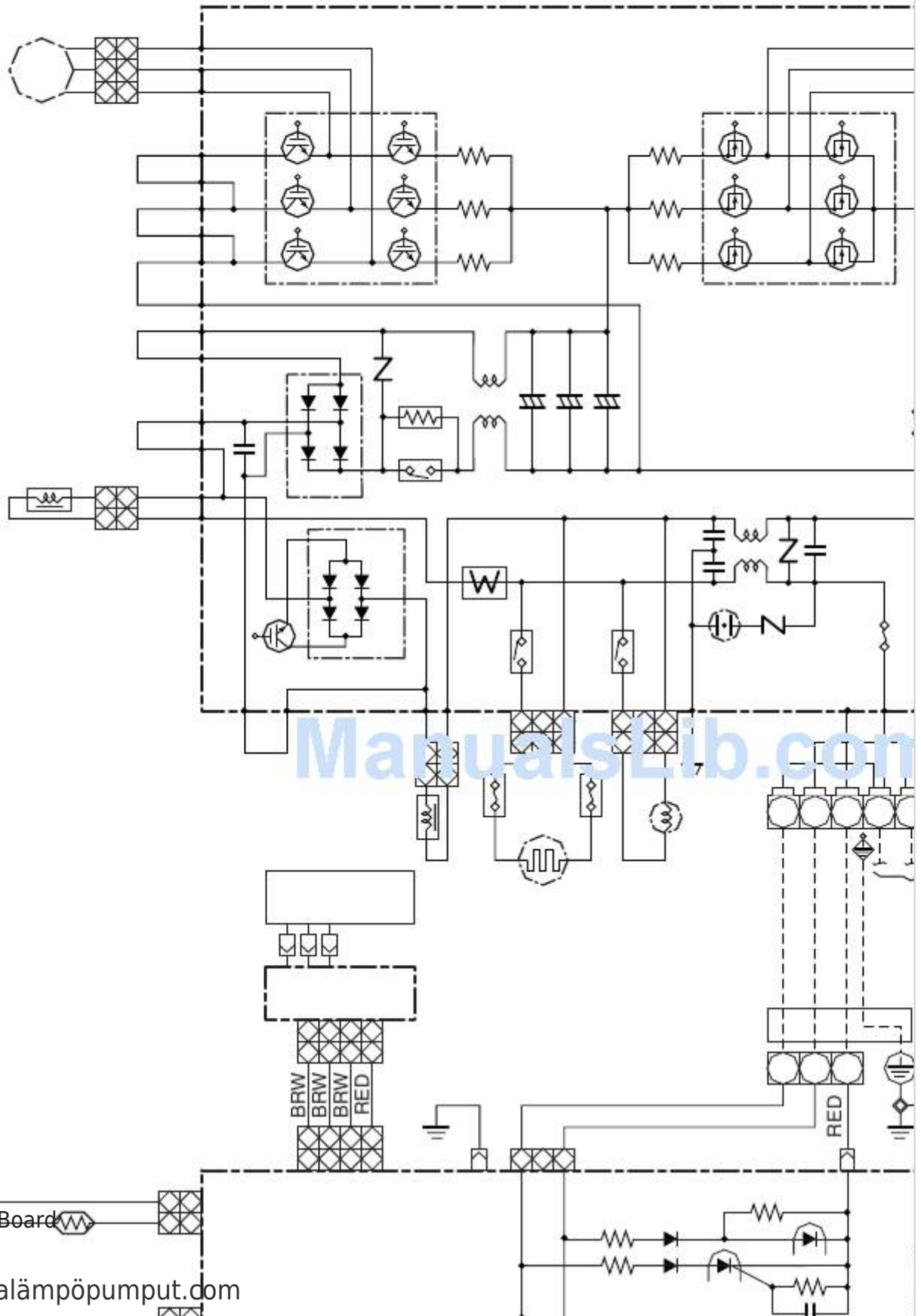
4
 3
 2
 1
 4
 3
 2
 1

BLK
 4
 3
 2
 1
 4
 3
 2
 1
 3

CN42
 CN02
 (WHI)
 F01 Fuse
 AC 250V
 T3.15A
 Varistor
 R01

Line Filter
 Main P. C. Board
 MCC-5045

www.ilmalämpöpumput.com



Q300 ~ 305

MOS-FET

R321

R320

R319

C13

P. C. Board

MCC-5009

-

+

+

C14

Varistor

L01

Varistor

Relay

Surge

Absorber

CN701

P07

P03 P10

3

1

3

BLK

ORN

3

1

3

1

2

Coil for

4-way Valve

1

2

Indoor Terminal Block

BLK

WHI

1

CN01

CN51

DC5V

~

DC12V

-

+

+

~

- 21 -

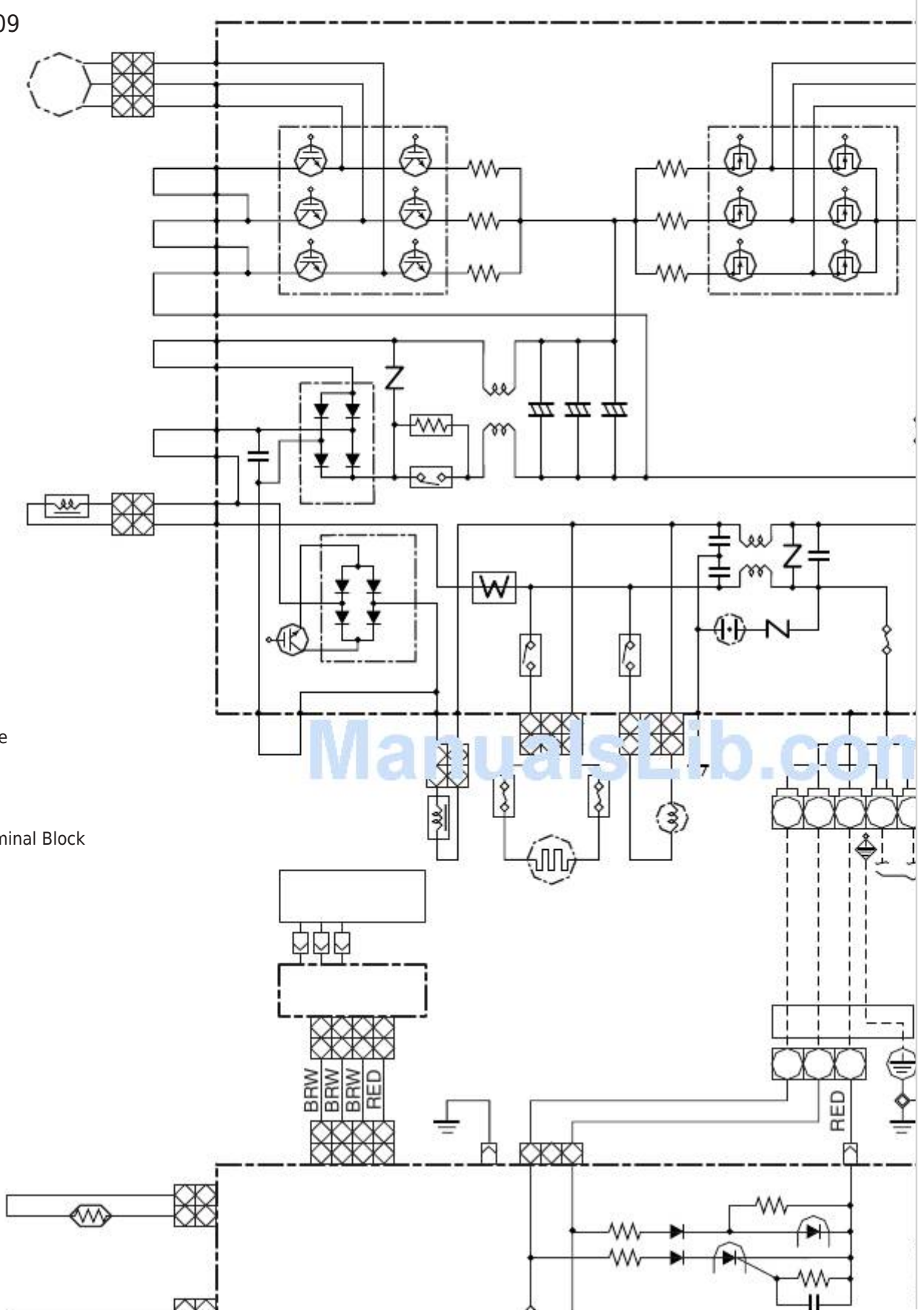
BLK

3

3

WHI

2



ManualsLib.com

2
 RED
 1
 1
 CN300
 Pulse Motor Valve

6
 6
 5
 5
 4
 4
 CN700
 3 3
 2 2
 1 1
 3
 3

CN603
 2
 1
 1

Suction pipe
 Temp. Sensor
 F03 Fuse

2
 2
 250V ~
 CN602

1
 1
 T3.15A
 Temp. Sensor

3
 3
 2

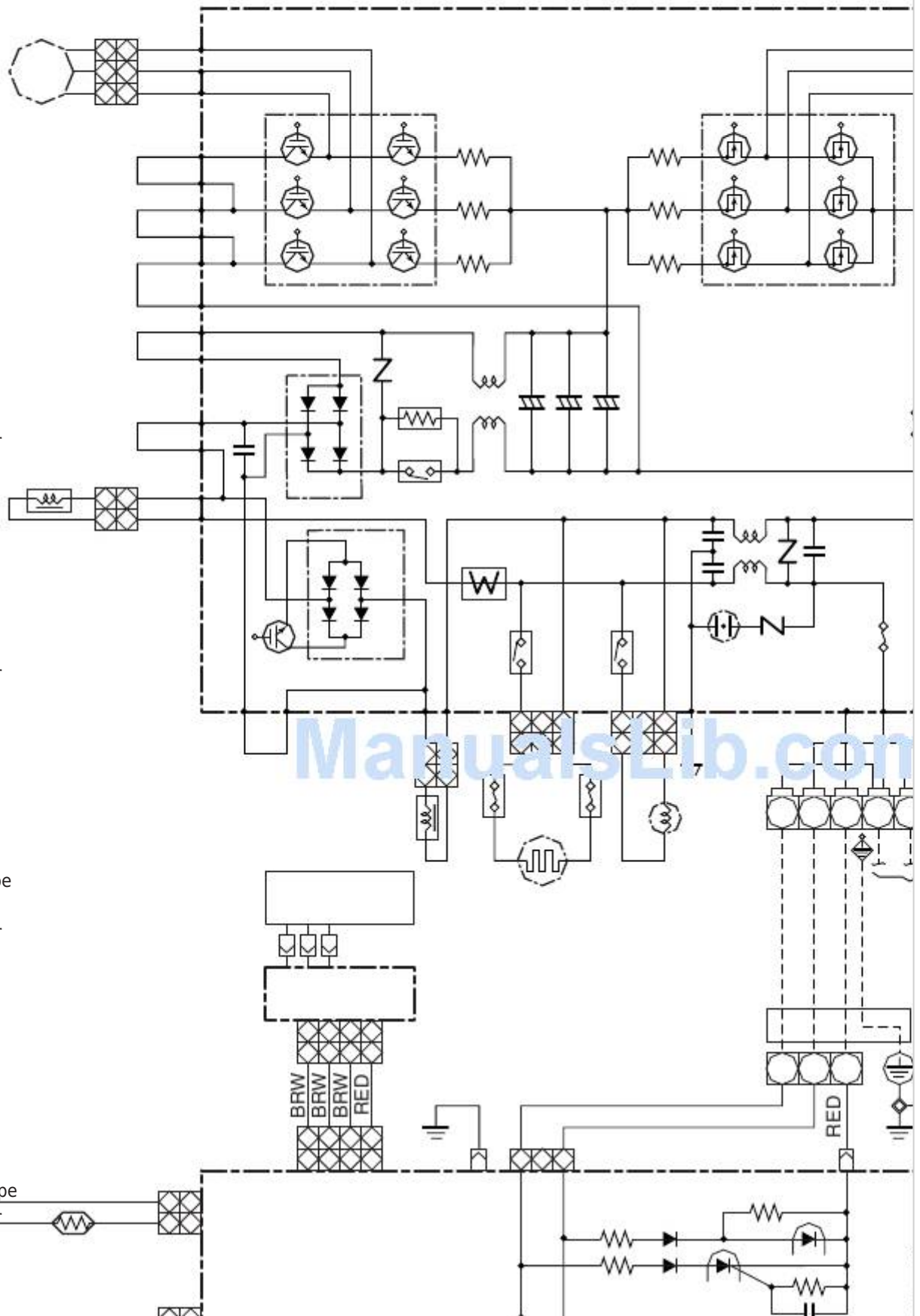
CN601

1
 1
 Discharge pipe
 F01
 Temp. Sensor
 Fuse

250V~
 2
 2
 CN600
 T25A

1
 1
 P02
 Condenser pipe
 Temp. Sensor
 BLK
 WHI

3



ManualsLib.com

L

N

Power Supply
220-240V~, 50Hz

3

Heat Exchanger

GRN & YEL

CN41
(RED)

BRW

1

1

2

2

BLU

RED

1

1

BLK

3

3

WHI

4 4

CN31

YEL

5 5

(WHI)

BLU

6 6

WHI

CN32

1

1

1

1

YEL

(WHI)

2

2

2

2

2

YEL

3

3

3

3

YEL

4

4

4 4

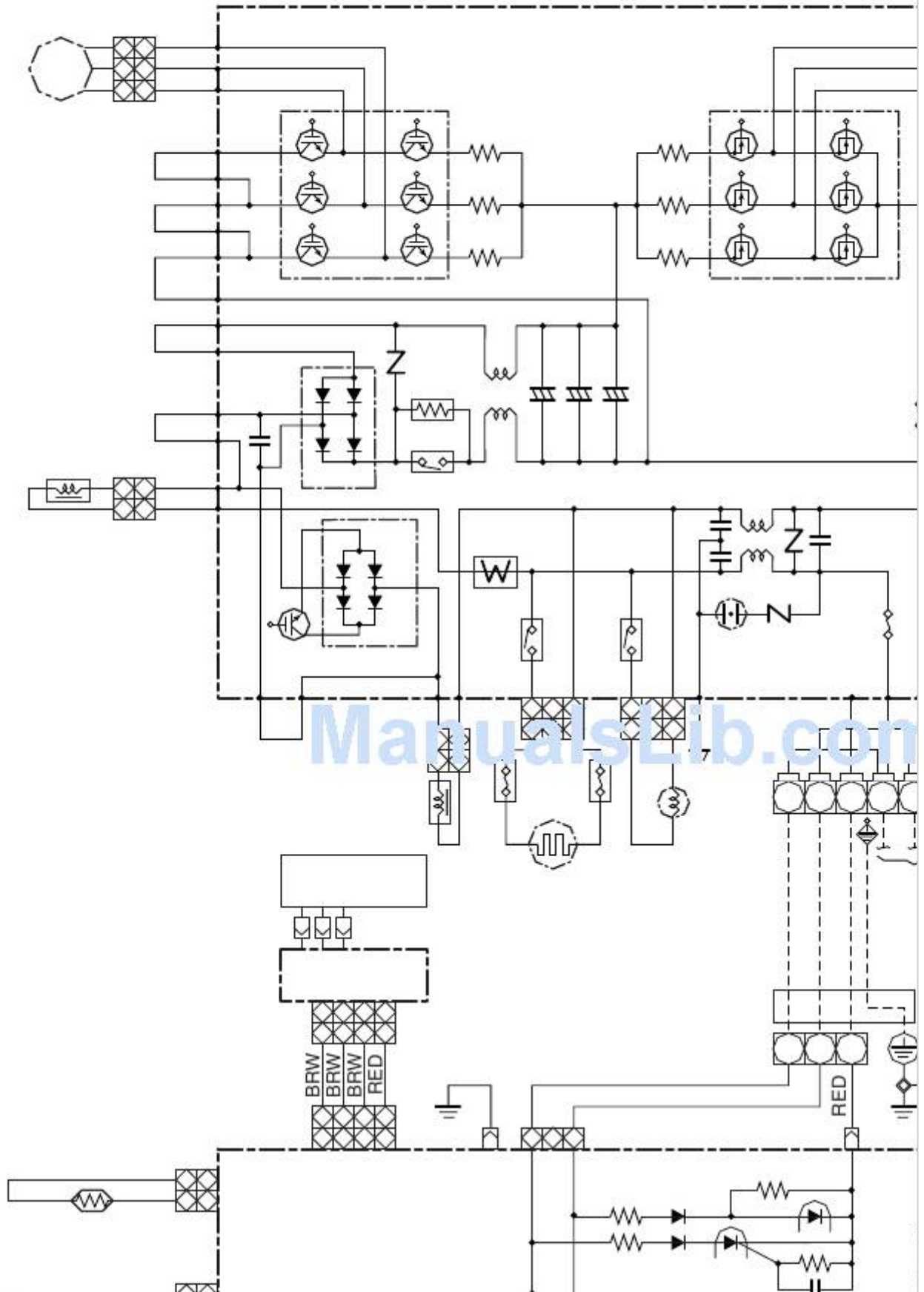
YEL

5 5

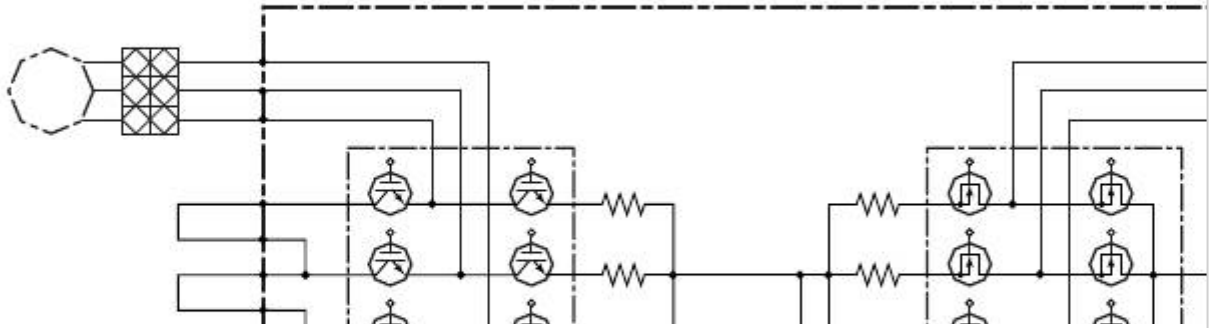
5 5

1

2



CN22
(WHI)
3
4
Fan Motor
FM
PMV
(TS)
(TO)
Outdoor
(TD)
(TE)
Micro SW
Fan Motor
DC Motor
Louver Motor



[Table of Contents](#)

[Previous Page](#)
[Next Page](#)

1
...
18
19
20
21
22
23
24
25

Quick Links:

[Service Manual](#)

[Specifications](#)

[How to Diagnose the Trouble](#)

[How to Replace the Main Parts](#)

[Exploded Views and Parts List](#)

Chapters

[Table of Contents](#) 2

[Operation Description 9-2. 1. Basic Operation](#) 28

Related Manuals for Toshiba RAS-10SAVP-E

[Air Conditioner Toshiba RAS-B10SKVP-E Installation Manual](#)

(148 pages)

[Air Conditioner Toshiba RAS-B10SKVP-E Service Manual](#)

(120 pages)

[Air Conditioner Toshiba RAS-B10SKVP-E Service Manual](#)

Split type air conditioner (119 pages)

[Air Conditioner Toshiba RAS-B10SKVP-E Owner's Manual](#)

Split type air conditioner (91 pages)

[Air Conditioner Toshiba RAS-B10SKVP-E Owner's Manual](#)

Split type; for general public use (31 pages)

[Air Conditioner Toshiba RAS-B10SKVP-E Owner's Manual](#)

Split type (31 pages)

[Air Conditioner Toshiba RAS-B10SKVP-E Installation Manual](#)

(19 pages)

[Air Conditioner Toshiba RAS-B10SKVP-E Installation Manual](#)

Split type air conditioner (19 pages)

[Air Conditioner Toshiba RAS-16SKVP-ND Owner's Manual](#)

(230 pages)

[Air Conditioner Toshiba RAS-10SKVP-ND Installation Manual](#)

(132 pages)

[Air Conditioner Toshiba RAS-4M23SAV-E Service Manual](#)

Split type (121 pages)

[Air Conditioner Toshiba RAS-B10SKVP-E Service Manual](#)

Split type (117 pages)

[Air Conditioner Toshiba RAS-B10SKVP-E Service Manual](#)

(117 pages)

[Air Conditioner Toshiba RAS-10SKVP-ND Owner's Manual](#)

(61 pages)

[Air Conditioner Toshiba RAS-10SA-E Service Manual](#)

Split wall type (56 pages)

[Air Conditioner Toshiba RAS-16SKV Series Owner's Manual](#)

(52 pages)

Related Content for Toshiba RAS-10SAVP-E

[RAS-2M10G3AVG-E Intermittent Operation Control For Indoor Fans Of The Indoor Unit At Thermo-Off Side In Heating Operation](#)

Toshiba RAS-2M10G3AVG-E

[RAS-5M34G3AVG-E Intermittent Operation Control For Indoor Fans Of The Indoor Unit At Thermo-Off Side In Heating Operation](#)

Toshiba RAS-5M34G3AVG-E

[MMU-UP0031YHP-ETR Test Run Of Indoor Unit](#)

Toshiba MMU-UP0031YHP-ETR

[RAV-GV1101AT8P-TR Indoor Unit](#)

Toshiba RAV-GV1101AT8P-TR

[RAS-B10S4KVPG-E In Case Of Indoor Unit Connect With 1:1 Outdoor Unit](#)

Toshiba RAS-B10S4KVPG-E

[RAS-M07N3KV2 Series Indoor Unit](#)

Toshiba RAS-M07N3KV2 Series

[Carrier MMU-UP0151YHP-UL Setup Of Selecting Function Indoor Unit](#)

Toshiba Carrier MMU-UP0151YHP-UL

[RAS-B24B2KVG-E Indoor Unit](#)

Toshiba RAS-B24B2KVG-E

This manual is also suitable for:

[Ras-b10skvp-eRas-16savp-eRas-10skvp-ndRas-10savp-ndRas-13skvp-ndRas-13savp-nd](#) ... [Show all](#)