



# Set Temp. Correction - Toshiba RAS-10SAVP-E Service Manual



1  
2  
3  
4  
5  
6  
7  
8  
9  
10  
11  
12  
13  
14  
15  
16  
17  
18

19  
20  
21  
22  
23  
24  
25  
26  
27  
28  
29  
30  
31  
32  
33  
34  
35  
36  
37  
38  
39  
40  
41  
42  
43  
44  
45  
46  
47  
48  
49  
50  
51  
52  
53  
54  
55  
56  
57  
58  
59  
60  
61  
62  
63  
64  
65  
66  
67  
68

69  
70  
71  
72  
73  
74  
75  
76  
77  
78  
79  
80  
81  
82  
83  
84  
85  
86  
87  
88  
89  
90  
91  
92  
93  
94  
95  
96  
97  
98  
99  
100  
101  
102  
103  
104  
105  
106  
107  
108  
109  
110  
111  
112  
113  
114  
115  
116  
117  
118



-

- 

Troubleshooting



•

## Bookmarks






Toshiba ilmalämpöpumppujen myynti, huolto ja asennus: Jäähdytinpalvelu  
 Oy, Vantaa

**Item**

**Operation flow and applicable data, etc.**

18. Set temp.	<b>Item</b>	<b>Operation flow and applicable data, etc.</b>	
<Indoor control P.C. board correction <In HEAT operation> Jumper wire setup J801 X X i	18. Set temp. correction <Indoor control P.C. board (At shipment)> <Indoor control P.C. board (At shipment)>		<ol style="list-style-type: none"> <li><b>Purpose</b> When the di temp. of the room temp. condition, et (HEAT opera</li> <li><b>Description</b> The set tem controller is from -2°C to</li> </ol>

: With Jumper wire

X

: Cut Jumper wire  
 18. Set temp. correction  
 <In 8°C HEAT operation> (-ND model only)  
 Jumper wire setup  
**J803**

X

X

: With Jumper wire

X

: Cut Jumper wire  
 Jumper wire

**HEAT**  
 shift value  
**J802**

X

-2

+4

X

+2

← At shipment

**HEAT**  
 shift value  
**J804**

X

-2

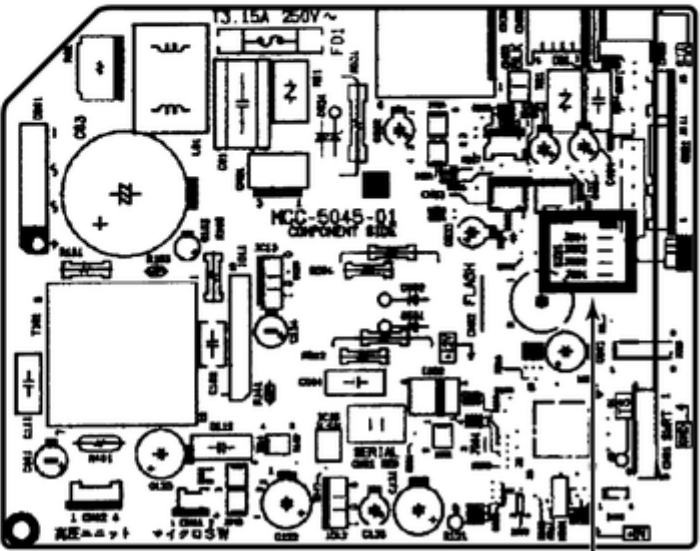
+4

X

+2

← At shipment

0

Item	Operation flow and applicable data, etc.																																			
	<p data-bbox="486 347 1093 414"><b>&lt;Indoor control P.C. board (At shipment)&gt;</b>                      (-ND model only)</p>  <div data-bbox="1013 996 1204 1164" style="border: 1px solid black; padding: 5px; margin-left: auto; margin-right: auto;">                         Jumper wire                          J801                          J802                          J803                          J804                     </div> <p data-bbox="486 1220 790 1265"><b>&lt;In HEAT operation&gt;</b></p> <table border="1" data-bbox="510 1272 986 1590"> <thead> <tr> <th colspan="2">Jumper wire setup</th> <th rowspan="2">HEAT shift value</th> </tr> <tr> <th>J801</th> <th>J802</th> </tr> </thead> <tbody> <tr> <td style="text-align: center;">X</td> <td style="text-align: center;">X</td> <td style="text-align: center;">-2</td> </tr> <tr> <td style="text-align: center;">X</td> <td style="text-align: center;">○</td> <td style="text-align: center;">+4</td> </tr> <tr> <td style="text-align: center;">○</td> <td style="text-align: center;">X</td> <td style="text-align: center;">+2</td> </tr> <tr> <td style="text-align: center;">○</td> <td style="text-align: center;">○</td> <td style="text-align: center;">0</td> </tr> </tbody> </table> <p data-bbox="997 1541 1204 1579">← At shipment</p> <p data-bbox="510 1601 790 1675">○: With Jumper wire                      X: Cut Jumper wire</p> <p data-bbox="486 1724 1117 1769"><b>&lt;In 8°C HEAT operation&gt; (-ND model only)</b></p> <table border="1" data-bbox="510 1776 986 2094"> <thead> <tr> <th colspan="2">Jumper wire setup</th> <th rowspan="2">HEAT shift value</th> </tr> <tr> <th>J803</th> <th>J804</th> </tr> </thead> <tbody> <tr> <td style="text-align: center;">X</td> <td style="text-align: center;">X</td> <td style="text-align: center;">-2</td> </tr> <tr> <td style="text-align: center;">X</td> <td style="text-align: center;">○</td> <td style="text-align: center;">+4</td> </tr> <tr> <td style="text-align: center;">○</td> <td style="text-align: center;">X</td> <td style="text-align: center;">+2</td> </tr> <tr> <td style="text-align: center;">○</td> <td style="text-align: center;">○</td> <td style="text-align: center;">0</td> </tr> </tbody> </table> <p data-bbox="997 2049 1204 2087">← At shipment</p>	Jumper wire setup		HEAT shift value	J801	J802	X	X	-2	X	○	+4	○	X	+2	○	○	0	Jumper wire setup		HEAT shift value	J803	J804	X	X	-2	X	○	+4	○	X	+2	○	○	0	<p data-bbox="1276 347 1444 385"><b>1. Purpose</b></p> <p data-bbox="1308 392 1484 571">When the di                      temp. of the                      room temp. i                      condition, et                      (HEAT opera</p> <p data-bbox="1276 582 1484 620"><b>2. Description</b></p> <p data-bbox="1308 627 1484 806">The set tem                      controller is                      from -2°C to                      jumper wire                      microcompu</p>
Jumper wire setup		HEAT shift value																																		
J801	J802																																			
X	X	-2																																		
X	○	+4																																		
○	X	+2																																		
○	○	0																																		
Jumper wire setup		HEAT shift value																																		
J803	J804																																			
X	X	-2																																		
X	○	+4																																		
○	X	+2																																		
○	○	0																																		

**1. Purpose**

When the difference between the set temp. of the remote controller and the room temp. is wide due to the installation condition, etc, the set temp. is corrected. (HEAT operation only)

**2. Description**

The set temp. received from the remote controller is corrected. The correct value from -2°C to +4°C is changed by the jumper wire on P.C. board of the indoor microcomputer.

J801

J802

J803

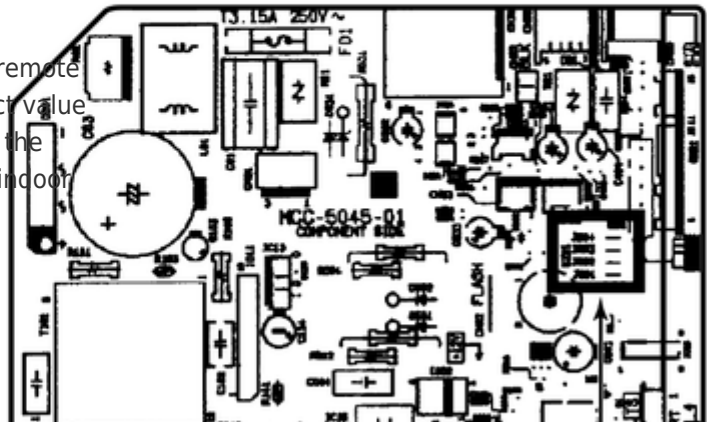
J804

**Description**

**Item**  
18. Set temp. correction

**Operation flow and applicable data, etc.**

**<Indoor control P.C. board (At shipment)>**



**1. Purpose**

When the difference between the room temp. and the room temp. is wide due to the installation condition, etc, the set temp. is corrected. (HEAT operation only)

**2. Description**

The set temp. received from the remote controller is corrected. The correct value from -2°C to +4°C is changed by the jumper wire on P.C. board of the indoor microcomputer.

[Previous Page](#)  
[Next Page](#)

1  
...  
42  
43  
44  
45  
46  
47  
48  
49



Quick Links:

[Service Manual](#)

[Specifications](#)

[How to Diagnose the Trouble](#)

[How to Replace the Main Parts](#)

[Exploded Views and Parts List](#)

## Chapters

[Table of Contents](#) 2

[Operation Description 9-2. 1. Basic Operation](#) 28

### Related Manuals for Toshiba RAS-10SAVP-E

[Air Conditioner Toshiba RAS-B10SKVP-E Installation Manual](#)

(148 pages)

[Air Conditioner Toshiba RAS-B10SKVP-E Service Manual](#)

(120 pages)

[Air Conditioner Toshiba RAS-B10SKVP-E Service Manual](#)

Split type air conditioner (119 pages)

[Air Conditioner Toshiba RAS-B10SKVP-E Owner's Manual](#)

Split type air conditioner (91 pages)

[Air Conditioner Toshiba RAS-B10SKVP-E Owner's Manual](#)

Split type; for general public use (31 pages)

[Air Conditioner Toshiba RAS-B10SKVP-E Owner's Manual](#)

Split type (31 pages)

[Air Conditioner Toshiba RAS-B10SKVP-E Installation Manual](#)

(19 pages)

[Air Conditioner Toshiba RAS-B10SKVP-E Installation Manual](#)

Split type air conditioner (19 pages)

[Air Conditioner Toshiba RAS-16SKVP-ND Owner's Manual](#)

(230 pages)

[Air Conditioner Toshiba RAS-10SKVP-ND Installation Manual](#)

(132 pages)

[Air Conditioner Toshiba RAS-4M23SAV-E Service Manual](#)

Split type (121 pages)

[Air Conditioner Toshiba RAS-B10SKVP-E Service Manual](#)

Split type (117 pages)

[Air Conditioner Toshiba RAS-B10SKVP-E Service Manual](#)

(117 pages)

[Air Conditioner Toshiba RAS-10SKVP-ND Owner's Manual](#)

(61 pages)

[Air Conditioner Toshiba RAS-10SA-E Service Manual](#)

Split wall type (56 pages)

[Air Conditioner Toshiba RAS-16SKV Series Owner's Manual](#)

(52 pages)

## Related Content for Toshiba RAS-10SAVP-E

[RAS-B10UFV-E Set Temp. Correction](#)

Toshiba RAS-B10UFV-E

[RAS-B10SKVP-E Set Temp. Correction](#)

Toshiba RAS-B10SKVP-E

[RAS-M13PKVP-E Set Temperature Correction](#)

Toshiba RAS-M13PKVP-E

[RAS-M10PKVP-E Set Temperature Correction](#)

Toshiba RAS-M10PKVP-E

[RAS-M10PKVP-E Set Temperature Correction](#)

Toshiba RAS-M10PKVP-E

[RAS-M10PKVP-E Set Temperature Correction](#)

Toshiba RAS-M10PKVP-E

[RAS-M10PKVP-E Set Temperature Correction](#)

Toshiba RAS-M10PKVP-E

[RAS-M10PKVP-E Set Temperature Correction](#)

Toshiba RAS-M10PKVP-E

This manual is also suitable for:

[Ras-b10skvp-eRas-16savp-eRas-10skvp-ndRas-10savp-ndRas-13skvp-ndRas-13savp-nd](#) ... [Show all](#)