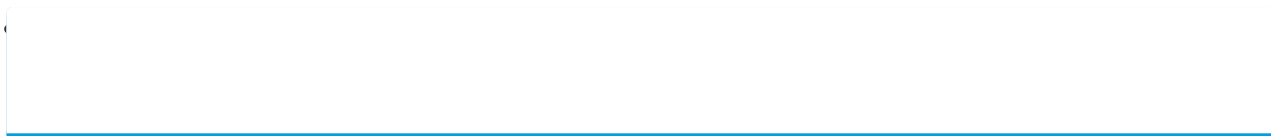


Installation Procedure - Toshiba RAS-10SAVP-E Service Manual

1
2
3
4
5
6
7
8
9
10
11
12
13
14
15
16
17
18

19
20
21
22
23
24
25
26
27
28
29
30
31
32
33
34
35
36
37
38
39
40
41
42
43
44
45
46
47
48
49
50
51
52
53
54
55
56
57
58
59
60
61
62
63
64
65
66
67
68

69
70
71
72
73
74
75
76
77
78
79
80
81
82
83
84
85
86
87
88
89
90
91
92
93
94
95
96
97
98
99
100
101
102
103
104
105
106
107
108
109
110
111
112
113
114
115
116
117
118



•

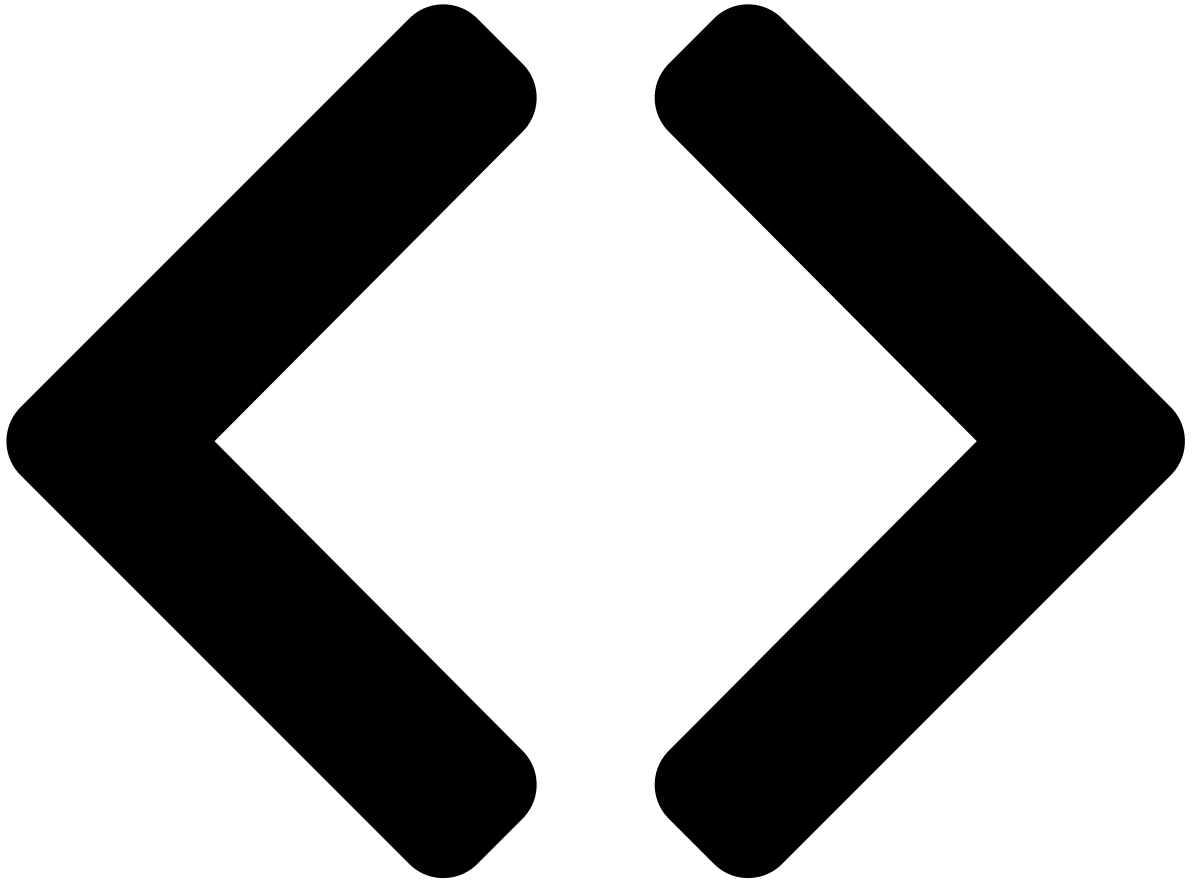
[Table of Contents](#)

-

Troubleshooting

•

Bookmarks



Toshiba ilmalämpöpumppujen myynti, huolto ja asennus: Jäähdytinpalvelu RefGroup Oy, Vantaa

10-1. Safety Cautions

140 mm or more

Air filters

2 Wireless

remote controller

100 mm or more

from wall

4 Remote controller holder

7 Remote controller

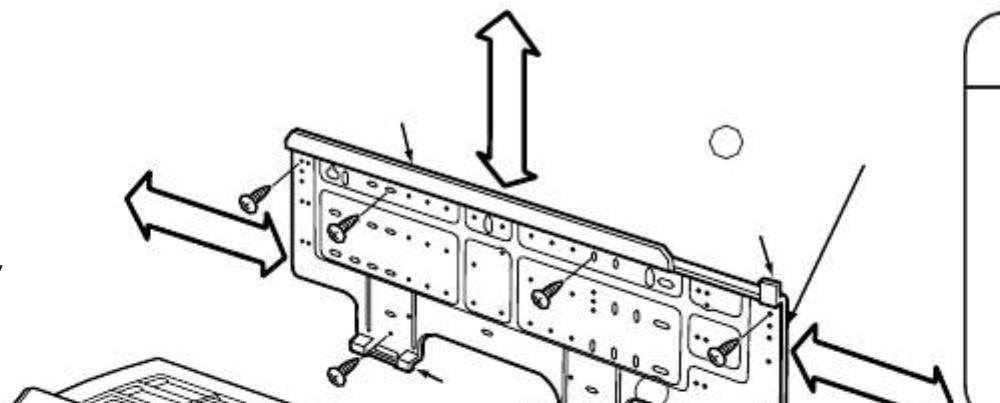
holder mounting screw

When installing the outdoor unit,

leave open in at least two of

directions (A), (B), (C) and (D)

shown in the figure below.



Before installing the wireless remote controller

• With the remote controller cover removed, correctly load the supplied batteries while observing their polarity.

• **Indoor units connectable with a multi-system outdoor unit (Other indoor units are unavailable.) RAS-B10SKVP-E, RAS-B13SKVP-E, RAS-B16SKVP-E**

• **When using a multi-system outdoor unit, refer to the installation manual provided with the model concerned.**

10. INSTALLATION PROCEDURE

Hook

Hook

5 Plasma pure filter
80 mm or more only
when unobstructed to
the front and both sides
50 mm or more
from wall

In principle,
leave open
(C)

200 mm
or more
(B)

Ensure sufficient space
to allow drainage

2 Wireless remote controller

www.ilmalämpöpumpu.com

47 mm or more

1 Installation plate

Hook

74 mm
or more

6 Mounting screw

Z Shield pipe
(for extension
drain hose)

Y
(D)
(A)

250 mm or more
from wall

Power cord

Extension drain hose
(Option: RB-821SW)

Cover

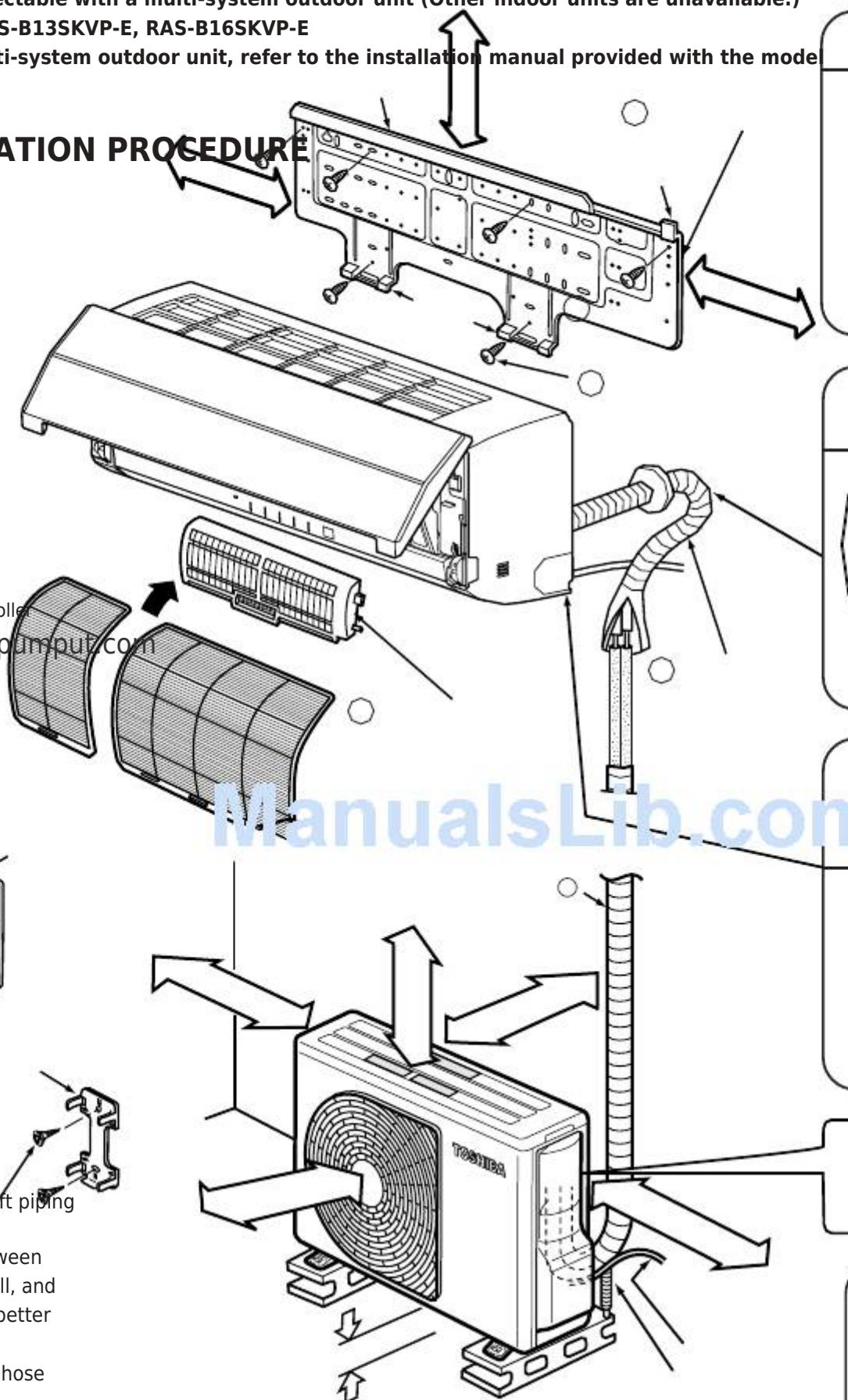
3 Batteries

- 55 -

For the rear left and left piping
Wall

Insert the cushion between
the indoor unit and wall, and
tilt the indoor unit for better
installation work.

Do not allow the drain hose



to become slack.

Cut the piping hole
slightly sloped

Make sure the drain hose is
sloped downward.

The auxiliary piping can be
connected at the left, rear left,
rear right, right, bottom right or
bottom left as shown below.

Right

Rear

Bottom

right

left

Bottom right

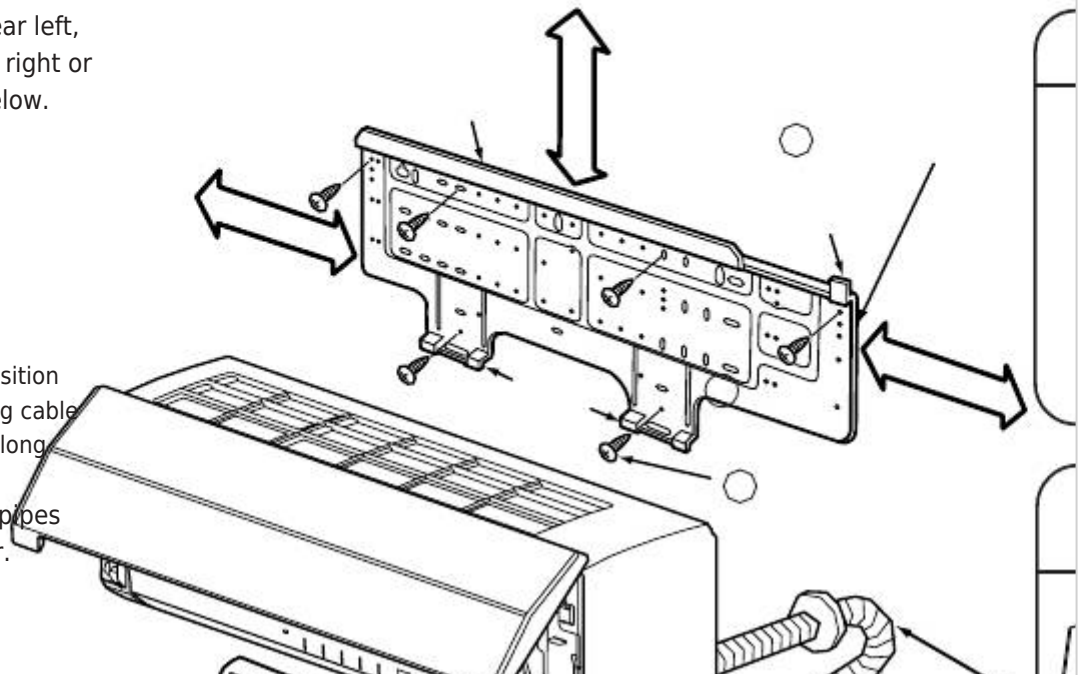
Rear left

As shown in the figure, position
power cord and connecting cable
downward, and lead out along
piping connection port.

Insulate the refrigerant pipes
separately, not together.

6 mm thick heat resisting
polyethylene foam

Left



[Table of Contents](#)

[Previous Page](#)
[Next Page](#)

1
...
52
53
54
55
56
57
58
59

Quick Links:

[Service Manual](#)

[Specifications](#)

[How to Diagnose the Trouble](#)

[How to Replace the Main Parts](#)

[Exploded Views and Parts List](#)

Chapters

[Table of Contents](#) 2

[Operation Description 9-2. 1. Basic Operation](#) 28

Related Manuals for Toshiba RAS-10SAVP-E

[Air Conditioner Toshiba RAS-B10SKVP-E Installation Manual](#)

(148 pages)

[Air Conditioner Toshiba RAS-B10SKVP-E Service Manual](#)

(120 pages)

[Air Conditioner Toshiba RAS-B10SKVP-E Service Manual](#)

Split type air conditioner (119 pages)

[Air Conditioner Toshiba RAS-B10SKVP-E Owner's Manual](#)

Split type air conditioner (91 pages)

[Air Conditioner Toshiba RAS-B10SKVP-E Owner's Manual](#)

Split type; for general public use (31 pages)

[Air Conditioner Toshiba RAS-B10SKVP-E Owner's Manual](#)

Split type (31 pages)

[Air Conditioner Toshiba RAS-B10SKVP-E Installation Manual](#)

(19 pages)

[Air Conditioner Toshiba RAS-B10SKVP-E Installation Manual](#)

Split type air conditioner (19 pages)

[Air Conditioner Toshiba RAS-16SKVP-ND Owner's Manual](#)

(230 pages)

[Air Conditioner Toshiba RAS-10SKVP-ND Installation Manual](#)

(132 pages)

[Air Conditioner Toshiba RAS-4M23SAV-E Service Manual](#)

Split type (121 pages)

[Air Conditioner Toshiba RAS-B10SKVP-E Service Manual](#)

Split type (117 pages)

[Air Conditioner Toshiba RAS-B10SKVP-E Service Manual](#)

(117 pages)

[Air Conditioner Toshiba RAS-10SKVP-ND Owner's Manual](#)

(61 pages)

[Air Conditioner Toshiba RAS-10SA-E Service Manual](#)

Split wall type (56 pages)

[Air Conditioner Toshiba RAS-16SKV Series Owner's Manual](#)

(52 pages)

Related Content for Toshiba RAS-10SAVP-E

[RAS-25S4KVDG-ND Installation Procedure](#)

Toshiba RAS-25S4KVDG-ND

[RAS-B22PKVSG-TR Installation Procedure](#)

Toshiba RAS-B22PKVSG-TR

[RAS-25S4KVPG-ND Installation Procedure](#)

Toshiba RAS-25S4KVPG-ND

[RAS-10S3AV-E Installation Procedure](#)

Toshiba RAS-10S3AV-E

[RAS-M05G3KVSG-E Installation Procedure](#)

Toshiba RAS-M05G3KVSG-E

[RAS-18S3KV-E Installation Procedure](#)

Toshiba RAS-18S3KV-E

[RAS-M07N4KVRG-E Installation Procedure](#)

Toshiba RAS-M07N4KVRG-E

[RAV-SM560KRT-E Installation Procedure](#)

Toshiba RAV-SM560KRT-E

This manual is also suitable for:

[Ras-b10skvp-eRas-16savp-eRas-10skvp-ndRas-10savp-ndRas-13skvp-ndRas-13savp-nd](#) ... [Show all](#)