

How To Diagnose The Trouble - Toshiba RAS-10SAVP-E Service Manual

1
2
3
4
5
6
7
8
9
10
11
12
13
14
15
16
17
18

19
20
21
22
23
24
25
26
27
28
29
30
31
32
33
34
35
36
37
38
39
40
41
42
43
44
45
46
47
48
49
50
51
52
53
54
55
56
57
58
59
60
61
62
63
64
65
66
67
68

69
70
71
72
73
74
75
76
77
78
79
80
81
82
83
84
85
86
87
88
89
90
91
92
93
94
95
96
97
98
99
100
101
102
103
104
105
106
107
108
109
110
111
112
113
114
115
116
117
118



•

[Table of Contents](#)

-

Troubleshooting

•

Bookmarks



Toshiba ilmalämpöpumppujen myynti, huolto ja asennus. Jäähdytinpalvelu
 Oy, Vantaa

The pulse motor circuits are mounted to both indoor and outdoor units.

Therefore, diagnose troubles according to the trouble diagnosis procedure as described below.
 (Refer to the check points in servicing written on the wiring diagrams attached to the indoor/outdoor units.)

No. 1 The pulse motor circuits are mounted to both indoor and outdoor units. Therefore, diagnose troubles according to the trouble diagnosis procedure as described below.
 (Refer to the check points in servicing written on the wiring diagrams attached to the indoor/outdoor units.)

First Confirmation

Primary Judgment

Judgment by Flashing LED of Indoor Unit

4

Table 11-1

No.	Troubleshooting Procedure	Page
1	First Confirmation	70
2	Primary Judgment	71

No.	Troubleshooting Procedure
6	How to Check Simply
7	Troubleshooting

Self-Diagnosis by Remote Controller
5
Judgment of Trouble by Every Symptom

u Precautions when handling the new inverter (3DV Inverter)

The high voltage circuit is incorporated.

Be careful to do the check service, as the electric shock may be caused in case of touching parts on the P.C. board by hand.

The new inverter (3DV inverter) will be incorporated starting with this unit.
u The control circuitry has an uninsulated construction.

Separated potential
Shared potential

Table 11-1

11. HOW TO DIAGNOSE THE TROUBLE

Table 11-1
Page

No.	Troubleshooting Procedure	Page
1	First Confirmation	70
2	Primary Judgment	71
3	Judgment by Flashing LED of Indoor Unit	71
4	Self-Diagnosis by Remote Controller	72
5	Judgment of Trouble by Every Symptom	75

No.	Troubleshooting
6	How to Check Simply
7	Troubleshooting
8	How to Diagnose Tro
9	How to Check Simply
10	How to Simply Judge Fan Motor is Good o

CAUTION: HIGH VOLTAGEN

Photocoupler
MCU

Precautions when handling the new inverter (3DV Inverter)

JAVP-E series (insulated type)



MCU

Amplifier

SAVP-E, SAVP-ND, GAVP-E, EAVP-E series (uninsulated type)

Be careful to do the check service, as the electric shock may be caused in case of touching parts on the P.C. board by hand.

No.

Troubleshooting Procedure

6 The new inverter (3DV inverter) will be incorporated starting with this unit.

7 How to Check Simply the Main Parts

(3DV: 3-sh

8 Troubleshooting

The control circuitry has an uninsulated construction.

9 How to Diagnose Trouble in Outdoor Unit

10 How to Check Simply the Main Parts

How to Simply Judge Whether Outdoor

10

Fan Motor is Good or Bad

(3DV: 3-shunt Discrete Vector control)

G-Tr

FET

(6IN1)

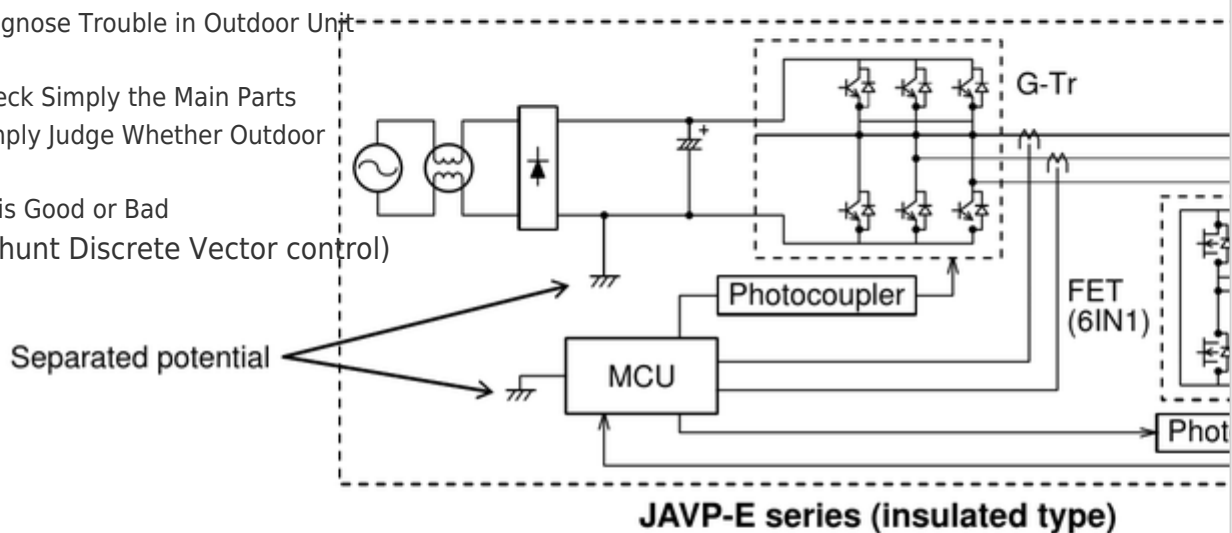
IGBT x 6

Driver

Amplifier

FET x 6

Driver



JAVP-E series (insulated type)

Compressor

Fan motor

Hall device

Photocoupler

Compressor

Fan motor

11. HOW TO DIAGNOSE THE TROUBLE

The pulse motor circuits are mounted to both indoor and outdoor units.

Therefore, diagnose troubles according to the trouble diagnosis procedure as described. (Refer to the check points in servicing written on the wiring diagrams attached to the

Page

80

81

82

83

88

Table 11-1

No.	Troubleshooting Procedure	Page	No.	Troubleshooting Procedure
-----	---------------------------	------	-----	---------------------------

[Table of Contents](#)

[Previous Page](#)
[Next Page](#)

1
...
65
66
67
68
69
70
71
72

Quick Links:

[Service Manual](#)

[Specifications](#)

[How to Diagnose the Trouble](#)

[How to Replace the Main Parts](#)

[Exploded Views and Parts List](#)

Chapters

[Table of Contents](#) 2

[Operation Description 9-2. 1. Basic Operation](#) 28

Related Manuals for Toshiba RAS-10SAVP-E

[Air Conditioner Toshiba RAS-B10SKVP-E Installation Manual](#)

(148 pages)

[Air Conditioner Toshiba RAS-B10SKVP-E Service Manual](#)

(120 pages)

[Air Conditioner Toshiba RAS-B10SKVP-E Service Manual](#)

Split type air conditioner (119 pages)

[Air Conditioner Toshiba RAS-B10SKVP-E Owner's Manual](#)

Split type air conditioner (91 pages)

[Air Conditioner Toshiba RAS-B10SKVP-E Owner's Manual](#)

Split type; for general public use (31 pages)

[Air Conditioner Toshiba RAS-B10SKVP-E Owner's Manual](#)

Split type (31 pages)

[Air Conditioner Toshiba RAS-B10SKVP-E Installation Manual](#)

(19 pages)

[Air Conditioner Toshiba RAS-B10SKVP-E Installation Manual](#)

Split type air conditioner (19 pages)

[Air Conditioner Toshiba RAS-16SKVP-ND Owner's Manual](#)

(230 pages)

[Air Conditioner Toshiba RAS-10SKVP-ND Installation Manual](#)

(132 pages)

[Air Conditioner Toshiba RAS-4M23SAV-E Service Manual](#)

Split type (121 pages)

[Air Conditioner Toshiba RAS-B10SKVP-E Service Manual](#)

Split type (117 pages)

[Air Conditioner Toshiba RAS-B10SKVP-E Service Manual](#)

(117 pages)

[Air Conditioner Toshiba RAS-10SKVP-ND Owner's Manual](#)

(61 pages)

[Air Conditioner Toshiba RAS-10SA-E Service Manual](#)

Split wall type (56 pages)

[Air Conditioner Toshiba RAS-16SKV Series Owner's Manual](#)

(52 pages)

Related Content for Toshiba RAS-10SAVP-E

[RAS-25S4KVDG-ND How To Diagnose The Trouble](#)

Toshiba RAS-25S4KVDG-ND

[RAS-B22PKVSG-TR How To Diagnose The Trouble](#)

Toshiba RAS-B22PKVSG-TR

[RAS-25S4KVPG-ND How To Diagnose The Trouble](#)

Toshiba RAS-25S4KVPG-ND

[RAS-10S3AV-E How To Diagnose The Trouble](#)

Toshiba RAS-10S3AV-E

[RAS-M05G3KVSG-E How To Diagnose The Trouble](#)

Toshiba RAS-M05G3KVSG-E

[RAS-18S3KV-E How To Diagnose The Trouble](#)

Toshiba RAS-18S3KV-E

[RAS-M07G3DV-E How To Diagnose The Trouble](#)

Toshiba RAS-M07G3DV-E

[RAS-M07N4KVRG-E How To Diagnose The Trouble](#)

Toshiba RAS-M07N4KVRG-E

This manual is also suitable for:

[Ras-b10skvp-eRas-16savp-eRas-10skvp-ndRas-10savp-ndRas-13skvp-ndRas-13savp-nd](#) ... [Show all](#)