



# Layout Diagram (Cr-C606Vh8) - Sanyo SPW-C256VH Technical Data & Service Manual

4-way air discharge semi-concealed wall-mounted ceiling-mounted concealed-duct



1

2

3

4

5

Table Of Contents

6

7

8

9

10

11

12

13

14

15

16

17

18  
19  
20  
21  
22  
23  
24  
25  
26  
27  
28  
29  
30  
31  
32  
33  
34  
35  
36  
37  
38  
39  
40  
41  
42  
43  
44  
45  
46  
47  
48  
49  
50  
51  
52  
53  
54  
55  
56  
57  
58  
59  
60  
61  
62  
63  
64  
65  
66  
67

68  
69  
70  
71  
72  
73  
74  
75  
76  
77  
78  
79  
80  
81  
82  
83  
84  
85  
86  
87  
88  
89  
90  
91  
92  
93  
94  
95  
96  
97  
98  
99  
100  
101  
102  
103  
104  
105  
106  
107  
108  
109  
110  
111  
112  
113  
114  
115  
116  
117

118  
119  
120  
121  
122  
123  
124  
125  
126  
127  
128  
129  
130  
131  
132  
133  
134  
135  
136  
137  
138  
139  
140  
141  
142  
143  
144  
145  
146  
147  
148  
149  
150  
151  
152  
153  
154  
155  
156  
157  
158  
159  
160  
161  
162  
163  
164  
165  
166  
167

168  
169  
170  
171  
172  
173  
174  
175  
176  
177  
178  
179  
180  
181  
182  
183  
184  
185  
186  
187  
188  
189  
190  
191  
192  
193  
194  
195  
196  
197  
198  
199  
200  
201  
202  
203  
204  
205  
206  
207  
208  
209  
210  
211  
212  
213  
214  
215  
216  
217



218  
219  
220  
221  
222  
223  
224  
225  
226  
227  
228  
229  
230  
231  
232  
233  
234  
235  
236  
237  
238  
239  
240  
241  
242  
243  
244  
245  
246  
247  
248  
249  
250  
251  
252  
253  
254  
255  
256  
257  
258  
259  
260  
261  
262  
263  
264  
265  
266  
267

268  
269  
270  
271  
272  
273  
274  
275  
276  
277  
278  
279  
280  
281  
282  
283  
284  
285  
286  
287  
288  
289  
290  
291  
292  
293  
294  
295  
296  
297  
298  
299  
300  
301  
302  
303  
304  
305  
306  
307  
308  
309  
310  
311  
312  
313  
314  
315  
316  
317

318  
319  
320  
321  
322  
323  
324  
325  
326  
327  
328  
329  
330  
331  
332  
333  
334  
335  
336  
337  
338  
339  
340  
341  
342  
343  
344  
345  
346  
347  
348  
349  
350  
351  
352  
353  
354  
355  
356  
357  
358  
359  
360  
361  
362  
363  
364  
365  
366  
367

368  
369  
370  
371  
372  
373  
374  
375  
376  
377  
378  
379  
380  
381  
382  
383  
384  
385  
386  
387  
388  
389  
390  
391  
392  
393  
394  
395  
396  
397  
398  
399  
400  
401  
402  
403  
404  
405  
406  
407  
408  
409  
410  
411  
412  
413  
414  
415  
416  
417

418  
419  
420  
421  
422  
423  
424  
425  
426  
427  
428  
429  
430  
431  
432  
433  
434  
435  
436  
437  
438  
439  
440  
441  
442  
443  
444  
445  
446  
447  
448  
449  
450  
451  
452  
453  
454  
455  
456  
457  
458  
459  
460  
461  
462  
463  
464  
465  
466  
467

468  
469  
470  
471  
472  
473  
474  
475  
476  
477  
478  
479  
480  
481  
482  
483  
484  
485  
486  
487  
488  
489  
490  
491  
492  
493  
494  
495  
496  
497  
498  
499  
500  
501  
502  
503  
504  
505  
506  
507  
508  
509  
510  
511  
512  
513  
514  
515  
516  
517



•

[Table of Contents](#)

•

## Bookmarks







## 4-2. Outdoor Unit Control PCB

### (5) Layout Diagram (CR-C606VH8)

#### 4-2. Outdoor Unit Control PCB

## 4

### (5) Layout Diagram (CR-C606VH8)

Fuse

Fuse

(F101)

MODE

MODE

(CN031)

TEST

TEST

(CN036)

RC ADD



(S002)

RC ADD

(S003)

### 4-2. Outdoor Unit Control PCB

Sensor at upper

side of heat

exchanger

(C2)

(C2)

Sensor at lower

side of heat

exchanger (C1)

exchanger (C1)

Suction

Outdoor air

Outdoor air

temp. (TS)

temp. (TS)

temp. (TO)

temp. (TO)

AUTO ADD

AUTO ADD

Comp discharge

temp. (TD)

(S001)

temp. (TD)

EXCT

EXCT

(CN026)

SILENT

SILENT

(CN028)

EEPROM

EEPROM

(IC007)

PUMP DOWN

PUMP DOWN

(S005)

4-14

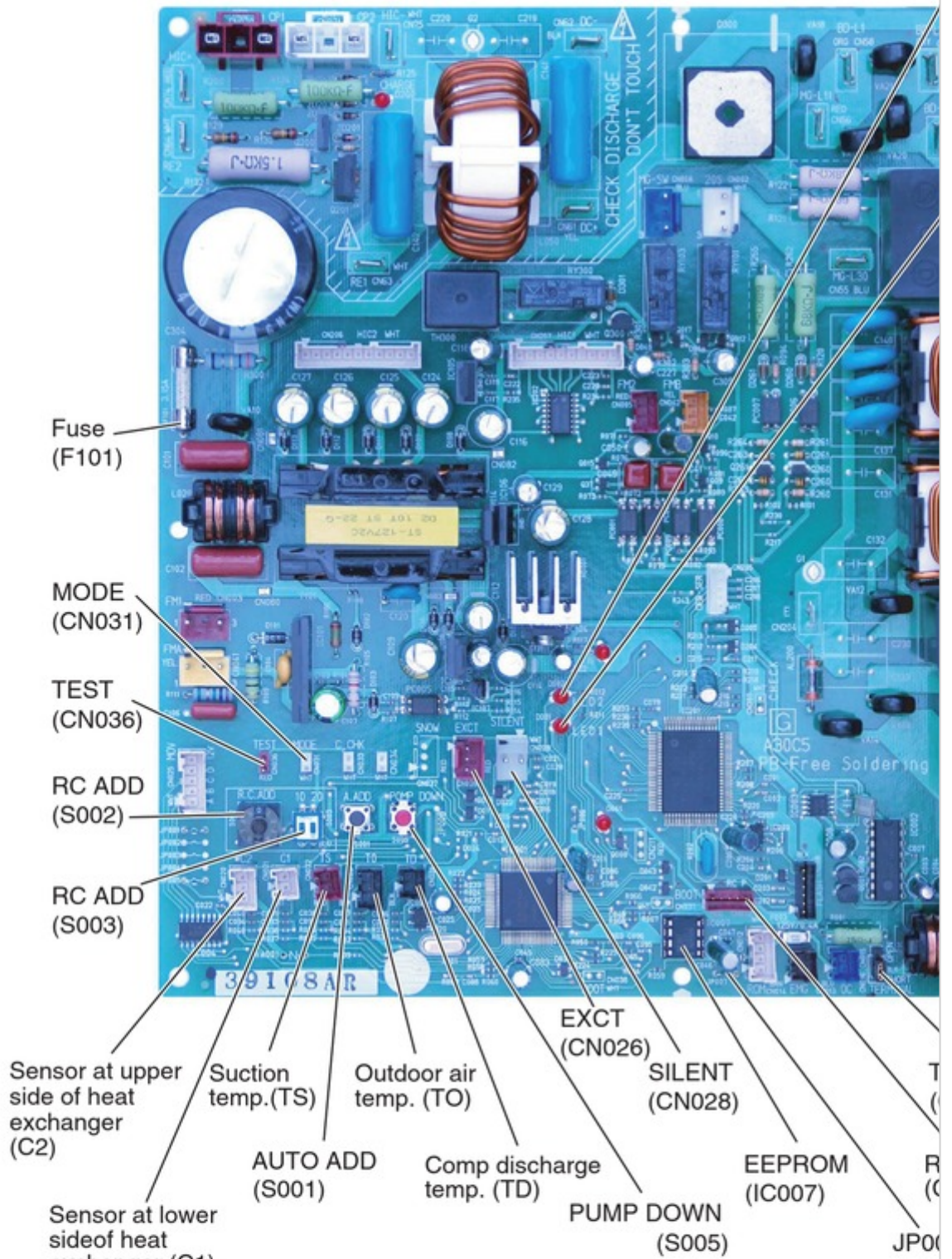
LED2

LED1

Fuse

Fuse

### (5) Layout Diagram (CR-C606VH8)



Fuse (F101)

MODE (CN031)

TEST (CN036)

RC ADD (S002)

RC ADD (S003)

Sensor at upper side of heat exchanger (C2)

Suction temp. (TS)

Outdoor air temp. (TO)

Sensor at lower side of heat exchanger (C1)

AUTO ADD (S001)

Comp discharge temp. (TD)

EXCT (CN026)

SILENT (CN028)

EEPROM (IC007)

PUMP DOWN (S005)

JPO

Fuse  
Fuse  
(F201)  
(F200)  
Terminal  
Terminal  
(CN015)  
RC-P  
(CN032)  
JP007

## **4-2. Outdoor Unit Control PCB**

### **(5) Layout Diagram (CR-C606VH8)**

[Table of Contents](#)

[Previous Page](#)  
[Next Page](#)

1

...

439

440

441

442

Quick Links:

[Indoor Unit](#)

[Technical Data](#)

[Outdoor Unit](#)

[Unit Specifications](#)

## Related Manuals for Sanyo SPW-C256VH

[Air Conditioner Sanyo Big PACi 18 Series Technical Data & Service Manual](#)

Big pack i dc inverter (275 pages)

[Air Conditioner Sanyo ECOi C0705DXHN8 Brochure & Specs](#)

2 and 3 pipe electric vrf systems (10 pages)

[Air Conditioner Sanyo MINI ECO-i SPW-CR365GXH56B Service Manual](#)

(252 pages)

[Air Conditioner Sanyo SPW-T253G56 Service Manual](#)

Split system air conditioner (71 pages)

[Air Conditioner Sanyo SPW-D253G56 Service Manual](#)

Split system air conditioner (66 pages)

[Air Conditioner Sanyo SPW-CR365GXH56 Technical Data Manual](#)

Mini eco-i system (346 pages)

[Air Conditioner Sanyo Mini ECO-i SPW-ASR74GXH56\(A/B\) Installation Instructions Manual](#)

System air conditioner (49 pages)

[Air Conditioner Sanyo SPW-C1155DXHN8 Technical Data & Service Manual](#)

2-way eco-i multi system (242 pages)

[Air Conditioner Sanyo SPW-U253GH56 Service Manual](#)

Split system air conditioner (108 pages)

[Air Conditioner Sanyo SPW-T253GH56 Service Manual](#)

Split system (106 pages)

[Air Conditioner Sanyo SPW-D253GH56 Service Manual](#)

Split system (108 pages)

[Air Conditioner Sanyo SPW-C0705DZH8 Technical Data Manual](#)

3-way eco-i multi system 5 series (703 pages)

[Air Conditioner Sanyo SPW-C483GYH8 Service Manual](#)

Eco multi system (235 pages)

[Air Conditioner Sanyo SPW-CR1503GDYH8 Technical Data & Service Manual](#)

W-eco multi system series (377 pages)

[Air Conditioner Sanyo SPW-FTR124EH56 Installation And Operation Manual](#)

Dc inverter air conditioner for refrigerant r410a (32 pages)

[Air Conditioner Sanyo SPW-CR363GVH8 Service Manual](#)

(262 pages)

## Related Content for Sanyo SPW-C256VH

[XHS3632 Sensor And Solenoid Layout Diagram](#)

Sanyo XHS3632

[XS3632 Refrigerant Flow Diagram.18](#)

Sanyo XS3632

[KS3032 Refrigerant Flow Diagram](#)

Sanyo KS3032

[SAP-K181AA Refrigerant Flow Diagram](#)

Sanyo SAP-K181AA

[CHDZ07263 Explanation Of Functions \(Cr-Kxrp56An, Cr-Kxrp80An, Pow-Krp50A\)](#)

Sanyo CHDZ07263

[SAP-K181GJH Refrigerant Flow Diagram](#)

Sanyo SAP-K181GJH



[SA-99G Refrigerant Flow Diagram](#)

Sanyo SA-99G

[KHS3632 / CH3632 Sensor And Solenoid Layout Diagram](#)

Sanyo KHS3632 / CH3632

This manual is also suitable for:

[Spw-c486vh8Spw-c606vh8Spw-xdr124gh56\(a/b\)Spw-x125hSpw-xm125hSpw-c366vh...](#) [Show all](#)

[Save PDF](#)